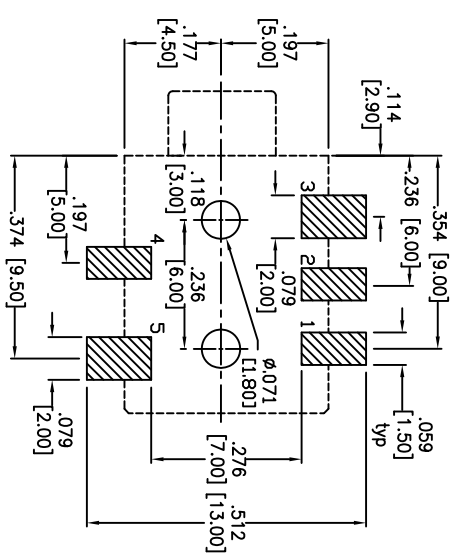
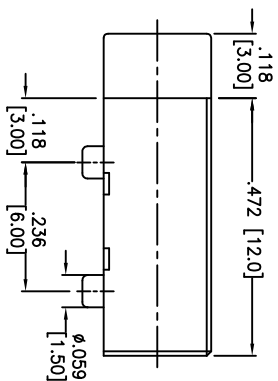
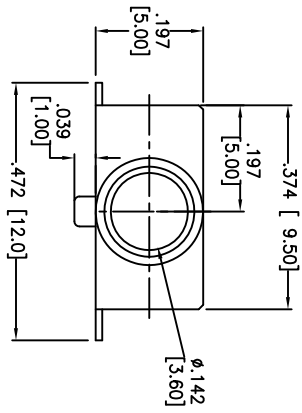
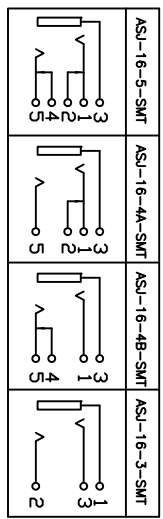
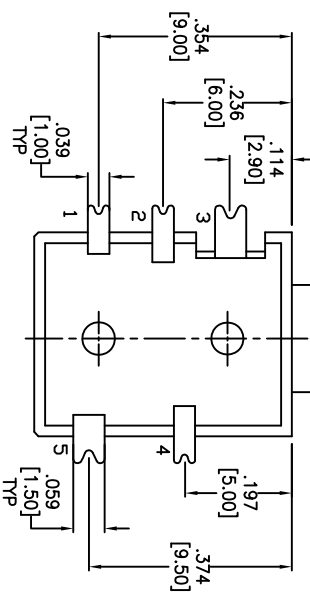


Rev	AWO #	Description	Date	Appr
-		RELEASED	11/22/10	

APPROVED: _____
 DATE: _____ TITLE: _____



RECOMMENDED PCB LAYOUT



SPECIFICATIONS:

Material:
 Insulator: FR52, rated UL 94V-0
 Insulator color: Black
 Contacts: Copper Alloy
 Plating:
 Gold flash over Nickel underplate overall

Electrical:
 Operating voltage: 30 VDC max.
 Current rating: 0.5 Amp max.
 Contact resistance: 0.03Ω max. initial
 Insulation resistance: 100 Mohms min.
 Dielectric withstanding voltage: 500 VAC for 1 minute
 Temperature Rating:
 Operating temperature: -30°C to +85°C

Environmental:
 Lead free, RoHS compliant.
 Recommended soldering temp: 260 for 5 sec.

UNLESS OTHERWISE SPECIFIED
 ALL DIMENSIONS ARE INCHES [MM]
 TOLERANCES: EXCEPT AS NOTED
 INCHES Holes ±.10
 .X ±.10
 .XX ±.020
 .XXX ±.015
 .XXX ±.015

ADAM TECH
 909 Railway Avenue, Union, NJ 07083
 Phone: 908-687-5000 Fax: 908-687-5710

DRAWN	AY	11/22/10	SIZE	PART NO.	REV.
CHECKED	AW	11/22/10	X	ASJ-16-X-SMT	-
APPROVED			REF:	S00030C	SHEET 1 OF 1

