



RL-3308

SMD POWER INDUCTORS

DESCRIPTION

- SMD Power Inductor

ENVIRONMENTAL DATA

- Storage temperature range: -55°C to +130°C
- Operating temperature range: -40°C to +130°C

PACKAGING INFORMATION

- Packaging information: pg. 494

FEATURES & APPLICATIONS

- Extremely low profile series with a height of only 0.118"
- Footprint of 0.370" X 0.510"
- Available in 13 values with inductance rating from 10 μ H to 1.0 mH and currents up to 2 A

Verify operation with sample in actual circuit. Order samples at www.rencousa.com.

MECHANICAL DIMENSIONS

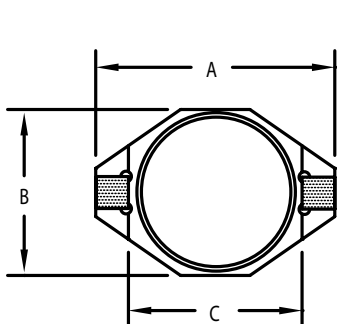
U.S. Standard (mm)

PART NUMBER	A (MAX.)	B (MAX.)	C	D	E (MAX.)	F (REF.)
RL-3308	0.510 (12.95)	0.390 (9.90)	0.300 (7.62)	0.350 (8.89)	0.126 (3.20)	0.290 (7.37)

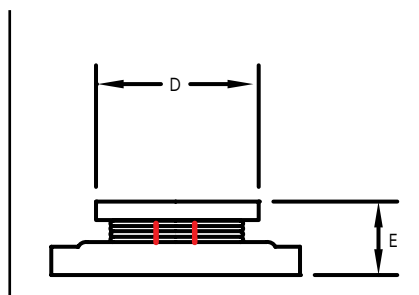
PART NUMBER	PART WEIGHT
RL-3308	0.85g (0.030oz)

G (REF.)	H (REF.)
0.115 (2.92)	0.110 (2.79)

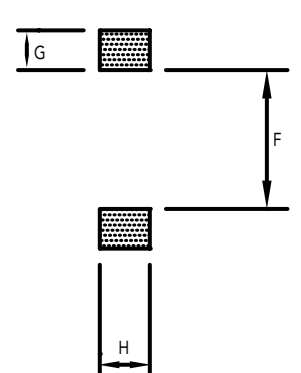
TOP VIEW



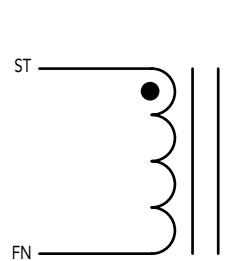
SIDE VIEW



RECOMMENDED LAND PATTERN



SCHEMATIC



RENCO ELECTRONICS INC.

595 International Place, Rockledge, FL 32955-4200 USA • www.rencousa.com • ISO 9001 Certified
Toll Free Engineering Hot Line: 800.645.5828 • P: 321.637.1000 • F: 321.637.1600



RL-3308

Renco Part No. RL-3308	Inductance (μ H)	DCR Max. (Ohms)	Isat (A)	Irms (A)	SRF Typ. (MHz)
RL-3308-10	10.0	0.11	2.4	2.00	35.0
RL-3308-15	15.0	0.15	2.0	1.50	33.0
RL-3308-22	22.0	0.23	1.6	1.30	25.0
RL-3308-33	33.0	0.30	1.4	1.10	19.0
RL-3308-47	47.0	0.39	1.0	0.80	14.0
RL-3308-68	68.0	0.66	0.9	0.70	12.0
RL-3308-100	100.0	0.84	0.7	0.60	10.0
RL-3308-150	150.0	1.20	0.6	0.50	8.0
RL-3308-220	220.0	1.90	0.5	0.40	6.0
RL-3308-330	330.0	2.70	0.4	0.30	5.0
RL-3308-470	470.0	4.00	0.3	0.20	4.0
RL-3308-680	680.0	5.30	0.2	0.10	3.0
RL-3308-1000	1000.0	8.40	0.1	0.05	2.5

NOTES:

1. INDUCTANCE \pm 20% TESTED AT 100kHz, 0.1 Vrms
2. Isat - DC CURRENT THAT WILL CAUSE INDUCTANCE TO DROP BY 10%
3. Irms - CURRENT THAT CAUSES THE TEMPERATURE TO RISE APPROX. 40°C ABOVE AMBIENT OF 25°C
4. RESISTANCE TO SOLDER HEAT: 260°C FOR 10 SECONDS
5. ELECTRICAL SPECIFICATIONS MEASURED AT 25°C

