

# Transformers Trigger, SCR Isolation

## FEATURES

- Designed for low-cost trigger source isolation in SCR power control circuits.
- Small physical size and low profile provide packaging advantages.
- Designed to transfer high amplitude or long duration pulses without saturation.
- Industrial and commercial applications include motor speed controls, lighting controls and heater controls.
- Interchangeable. Designed for circuit board mounting using same mounting dimensions as 11Z and PT-20 models.



**RoHS**  
COMPLIANT



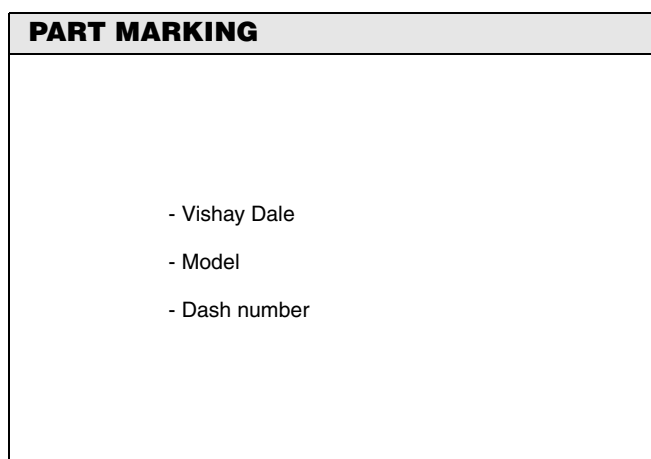
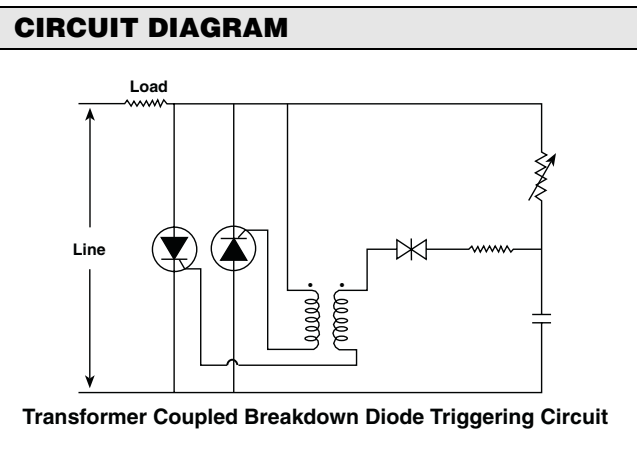
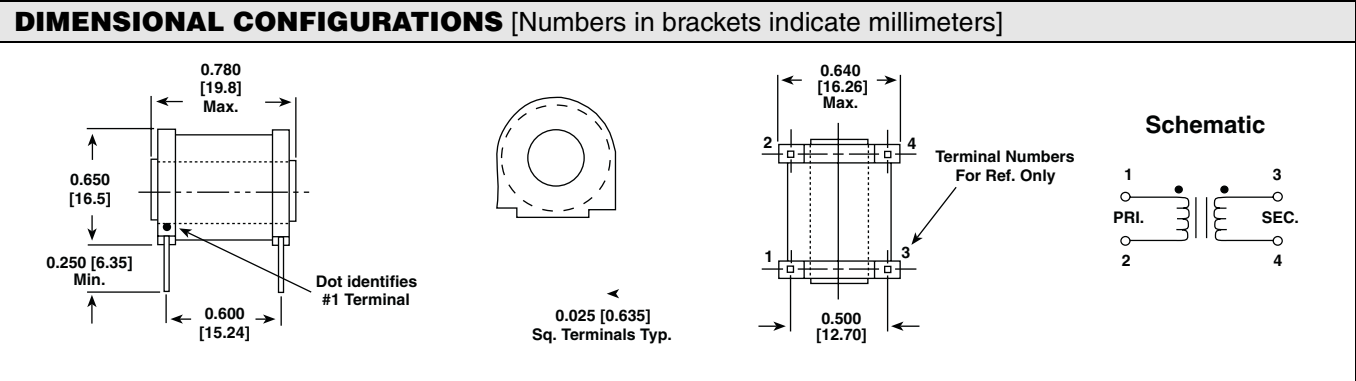
STANDARD ELECTRICAL SPECIFICATIONS						
DASH NUMBER	TURNS RATIO	PRIMARY INDUCTANCE MIN. (μH)	LEAKAGE INDUCTANCE MAX. (μH)	INTERWINDING CAPACITY MAX. (pF)	DCR MAX. (Ohms)	UNIPOLAR ET (V-μSEC)
101	1:1 ± 10%	200	3	800	1.5-1.5	570
102	1:1 ± 10%	500	6	1500	4.5-4.5	912
103	1:1 ± 10%	1000	12	2000	8.0-8.0	1283
104	1:1 ± 10%	2000	13	2800	12-12	1853
105	1:1 ± 10%	5000	15	3500	18-18	2850
106	2:1 ± 10%	500	6	1000	4-2	912
107	2:1 ± 10%	1000	10	1300	10-2	1288
108	2:1 ± 10%	2000	12	1800	10-5	1881
109	2:1 ± 10%	5000	15	2400	18-10	2565
110	5:1 ± 10%	5000	1500	400	19-3	2850

## ELECTRICAL SPECIFICATIONS

**Primary Inductance Values:** From 200 μH to 5000 μH  
**Turns Ratio:** 1:1, 2:1 and 5:1  
**Temperature Range:** - 55 °C to + 105 °C  
**Dielectric Test at 60 Hz:** 1600 V RMS (Windings to core)  
**AC Line Voltage at 60 Hz:** 240 V RMS maximum in test circuits shown

## MATERIAL SPECIFICATIONS

**Bobbin:** Glass-filled nylon  
**Terminals:** 0.025" [0.635] square tinned copper  
**Material Rating:** + 105 °C Class A





**ORDERING INFORMATION**

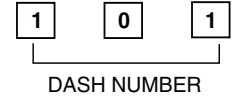
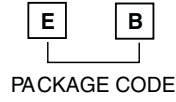
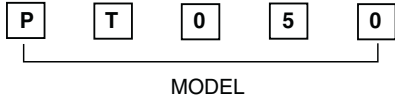
PT-50  
MODEL

101  
DASH NUMBER

EB  
PACKAGE CODE

e2  
JEDEC LEAD (Pb)-FREE STANDARD

**GLOBAL PART NUMBER**





## Notice

Specifications of the products displayed herein are subject to change without notice. Vishay Intertechnology, Inc., or anyone on its behalf, assumes no responsibility or liability for any errors or inaccuracies.

Information contained herein is intended to provide a product description only. No license, express or implied, by estoppel or otherwise, to any intellectual property rights is granted by this document. Except as provided in Vishay's terms and conditions of sale for such products, Vishay assumes no liability whatsoever, and disclaims any express or implied warranty, relating to sale and/or use of Vishay products including liability or warranties relating to fitness for a particular purpose, merchantability, or infringement of any patent, copyright, or other intellectual property right.

The products shown herein are not designed for use in medical, life-saving, or life-sustaining applications. Customers using or selling these products for use in such applications do so at their own risk and agree to fully indemnify Vishay for any damages resulting from such improper use or sale.