

Model:TA6209L

Characteristics:

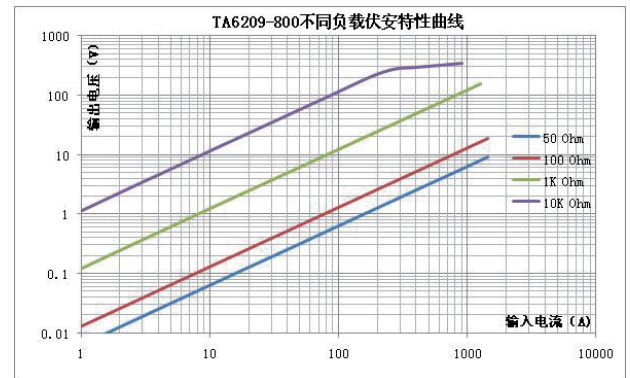
1. Directly fixed on the copper bar of 9x62.
2. Full enclosed, mechanical and environmental performance are good, voltage isolation capability is strong, safe and reliable.

Technical index:

- Suspended mounting, output with cable
- Material of the core: Silicon steel sheet
- Flame resistance: UL94-V0
- Working voltage: 660V
- Execution standard: GB1208-2006
- Operating temperature: $-35^{\circ}\text{C} \sim +85^{\circ}\text{C}$
- Storage temperature: $-45^{\circ}\text{C} \sim +95^{\circ}\text{C}$
- Frequency range: 50Hz \sim 400Hz
- Dielectric strength: 6KV 50Hz 1min



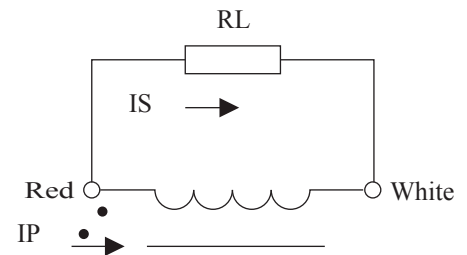
The volt-ampere characteristic curves on different loads:



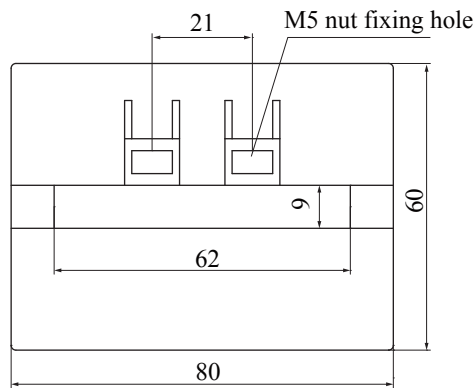
Electrical parameters:

Rated output (effective value)	0-800	A
Max.input		A
Rated output	0-0.1	A
Turns ratio	1: 8000	
Accuracy		%
Linearity	≤ 0.5	%
Phase difference		
Max.sampling resistance	100	Ω
Weight		g

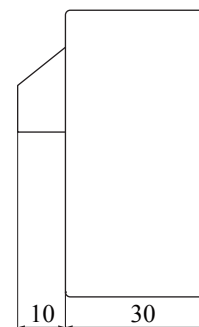
Schematic diagram:



Dimensions (in mm) :



Front view



Side view