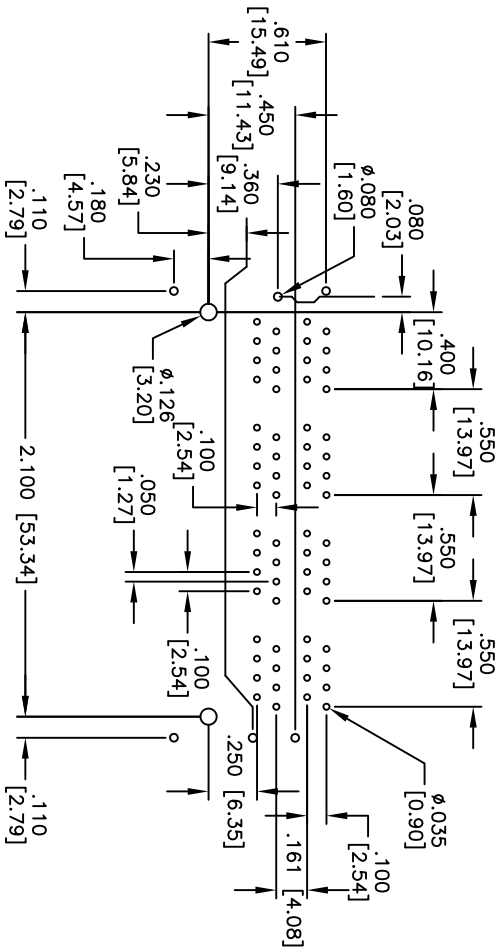
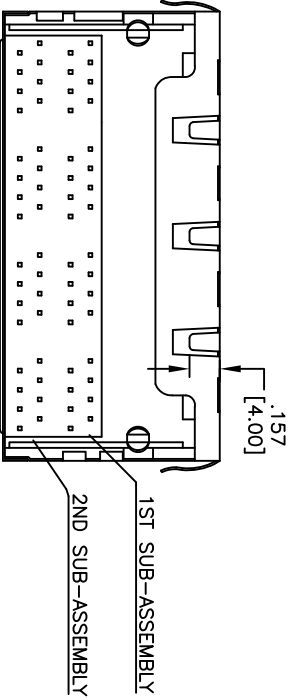
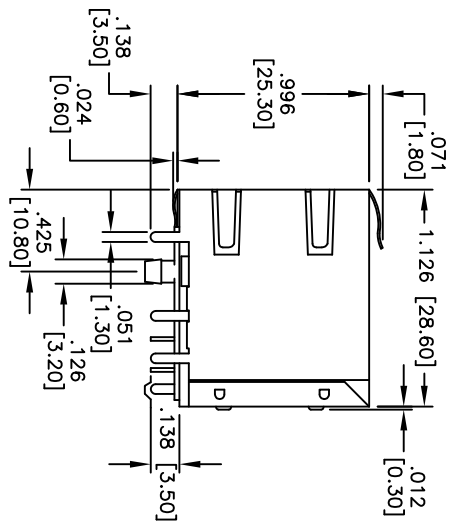
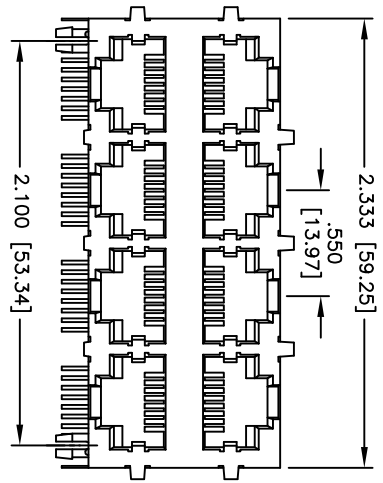


Rev	AWO #	Description	Date	Appr
-		RELEASED	12/08/09	

APPROVED: \_\_\_\_\_ TITLE: \_\_\_\_\_  
 DATE: \_\_\_\_\_



**SPECIFICATIONS:**

- Material: Insulator: PBT, rated UL 94V-0
- Insulator color: Black
- Contacts: Phosphor Bronze
- Shield: Copper Alloy, Nickel plated
- Plating: Gold over Nickel underplate on contact area, Tin over Copper underplate on PCB tails.

- Electrical: Operating voltage: 125 VAC max  
 Current rating: 1.5 Amps max  
 Contact resistance: 50 mohms max  
 Insulation resistance: 1000 Mohms min @ 500 VDC  
 Dielectric withstanding voltage: 1000 VAC for 1 minute
- Temperature Rating: Operating temperature: -40°C to +85°C
- Environmental: Lead free, RoHS compliant.  
 Recommended soldering temp: 235°C for 5 sec.

"X"	PLATING
0	15 uin Gold
1	30 uin Gold
2	50 uin Gold

UNLESS OTHERWISE SPECIFIED ALL DIMENSIONS ARE MM [INCHES]	
TOLERANCES: EXCEPT AS NOTED INCHES	
.X	±.10
.XX	±.020
.XXX	±.015
.XXX	±.010
APPROVALS	DATE

**ADAM TECH**

909 Rahway Avenue, Union, NJ 07083  
 Phone: 908-687-5000 Fax: 908-687-0214

TITLE: MODULAR TELEPHONE JACK GANGED, RIA  
 8 PORT, 8P8C

DRAWN	DY	12/08/09	SIZE	PART NO.	REV.
CHECKED			X	MTJG-8-88JX1-FS-PG	
APPROVED			REF:	S00068T	SCALE: NTS
			SHEET	1	OF 1