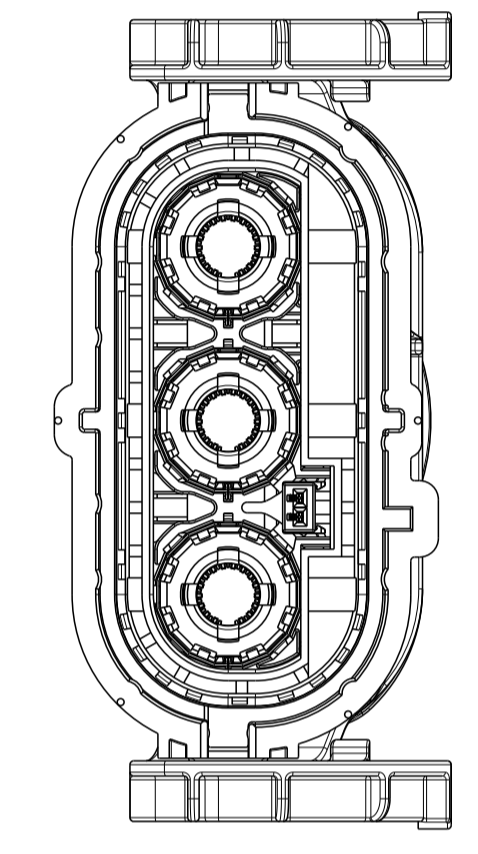
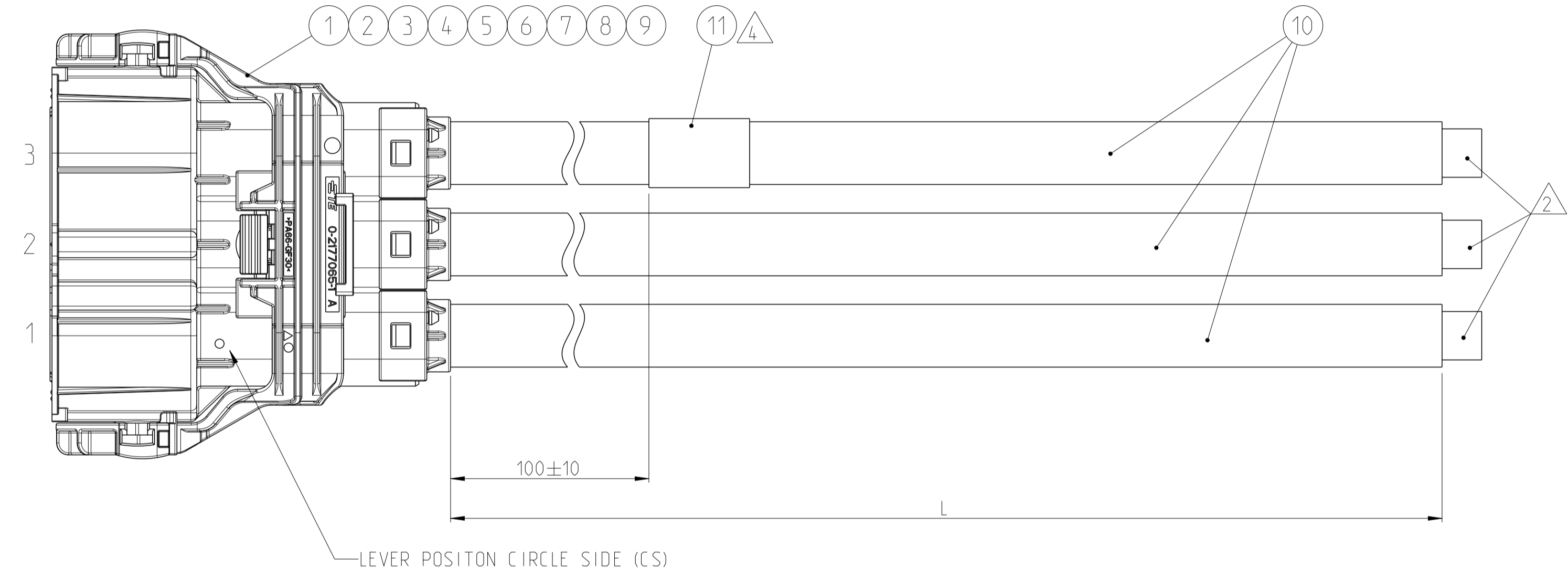
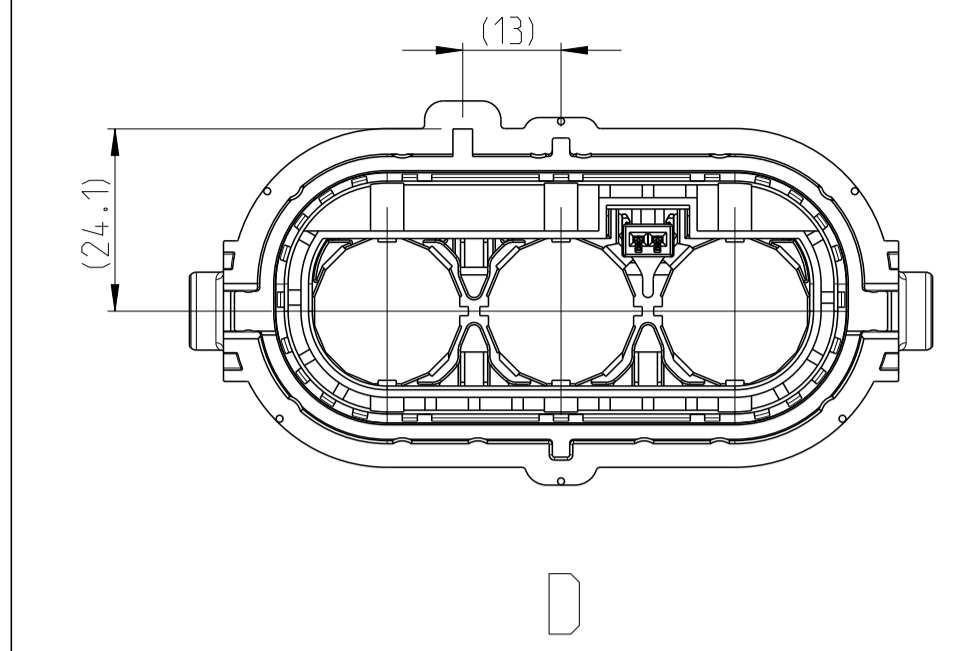
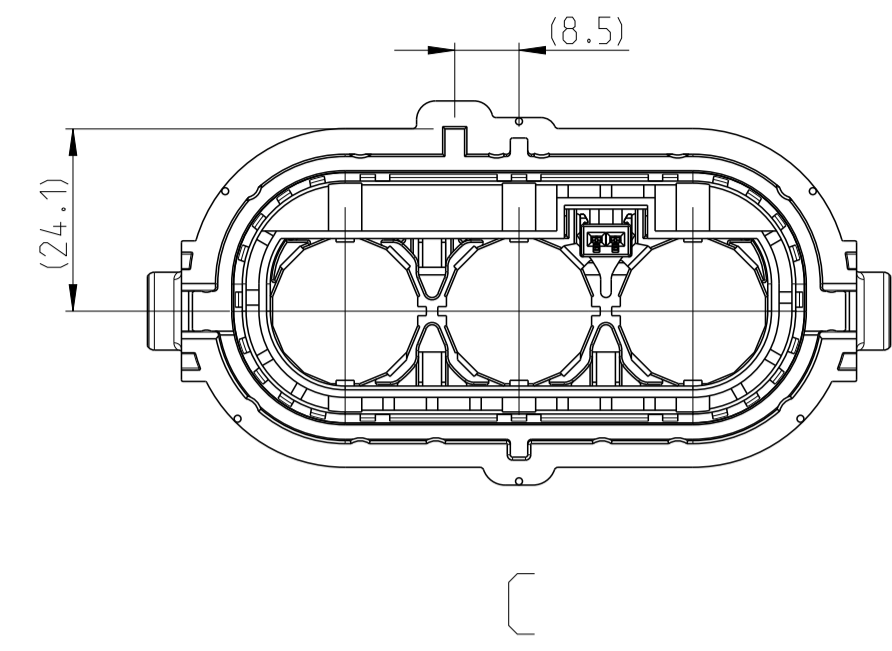
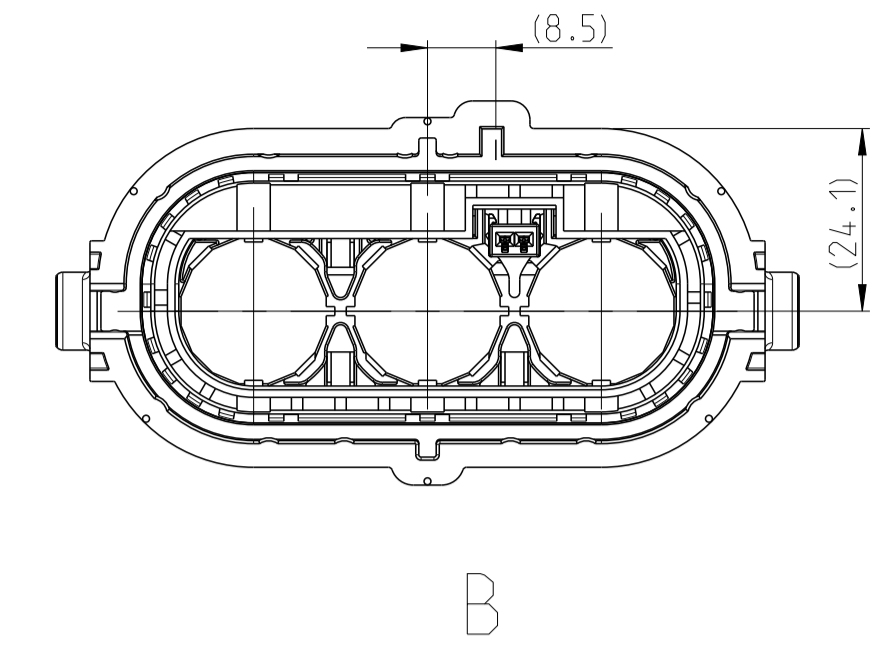
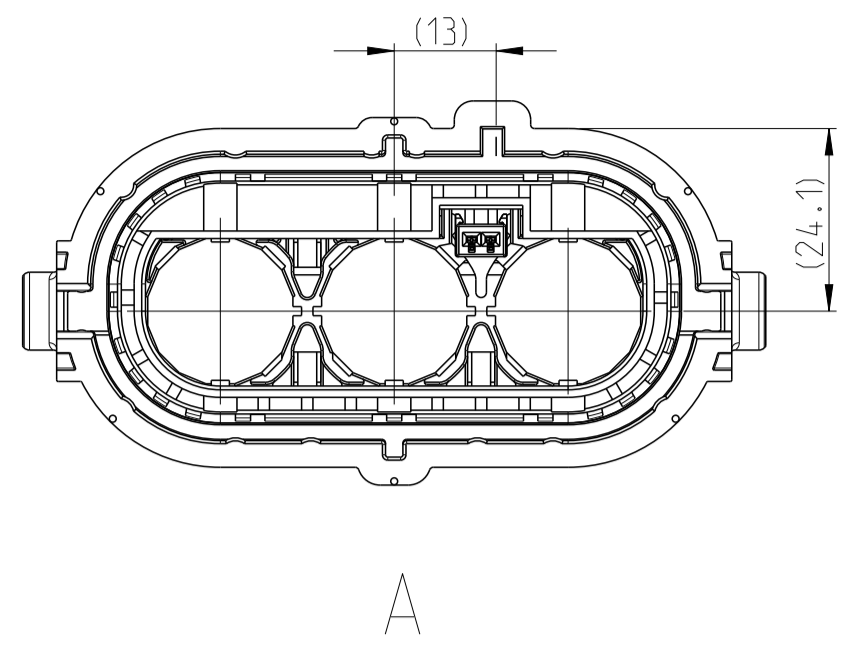


CODINGS - 1:1

THE DRAWING SHOWS THE 2-DIMENSIONAL REFERENCE COMPONENT CONDITION OF THE ASSEMBLY TO IDENTIFY AND SPECIFY THE NECESSARY DIMENSIONS ONLY. THE DELIVERED PARTS MAY DEVIATE FROM THE DRAWING REGARDING THE ORIENTATION AND POSITION OF EACH COMPONENT (e.g. SLACK CABLE), SO FAR THE FUNCTIONALITY IS NOT CONCERNED.

DIE ZEICHNUNG ZEIGT DEN 2-DIMENSIONALEN IDEALZUSTAND DES ZUSAMMENBAUTEILS BEZÜGLICH DER KOMPONENTEN ZUR IDENTIFIKATION UND SPEZIFIKATION DER NOTWENDIGEN DIMENSIONEN. HINSICHTLICH DER ORIENTIERUNG UND DER LAGE DER KOMPONENTEN (z.B. BIEGESCHLAPPE KABEL) KÖNNEN DIE GELIEFERTEN TEILE VON DER ZEICHNUNG ABWEICHEN, SOFERN DIE FUNKTIONALITÄT NICHT BEEINTRÄCHTIGT IST.

REVISIONS				
P.	LTN	DESCRIPTION	DATE	APVD
E		BOM SUBCOMPONENT CHANGED	28JAN2020	JM PM



TE PART NO.	REV.	LENGTH L [mm]	TOL. [mm]	CODING	LEVER POSITION
1-2286917-0	E	500	+30		
1-2286917-1	E	1000	+30		
1-2286917-2	E	2000	+35	A	CS
1-2286917-3	E	3000	+40		
1-2286917-4	E	4000	+50		
1-2286917-5	E	5000	+60		
2-2286917-0	E	500	+30		
2-2286917-1	E	1000	+30		
2-2286917-2	E	2000	+35	B	CS
2-2286917-3	E	3000	+40		
2-2286917-4	E	4000	+50		
2-2286917-5	E	5000	+60		
3-2286917-0	C	500	+30		
3-2286917-1	C	1000	+30		
3-2286917-2	C	2000	+35	C	CS
3-2286917-3	C	3000	+40		
3-2286917-4	C	4000	+50		
3-2286917-5	C	5000	+60		
4-2286917-0	C	500	+30		
4-2286917-1	C	1000	+30		
4-2286917-2	C	2000	+35	D	CS
4-2286917-3	C	3000	+40		
4-2286917-4	C	4000	+50		
4-2286917-5	C	5000	+60		

△ LABEL LEGEND:

STE — CURRENT REV.

TE PN: X-2286917-Y Rev. — DATE CODE

DD/MM/YY — DATE CODE

2.7 kV DC TEST PASSED

- NOTES**
- 1 PACKAGING: HOUSING WRAPPED IN FOAM AND FIXED WITH RUBBER BAND. CABLE ASSEMBLY PROTECTED BY PAPER CUSHIONS INSIDE OF STANDARD BOX (ACCORDING TE SPEC. 107-18032). DAMAGED TO BE AVOIDED.
 - △ ELECTRICAL TEST ACCORDING TE SPECIFICATION 108-18857. USE CURRENT REVISION ALWAYS. MIN. 10 mm STRIPPING OF OUTER JACKET AND BRAID FOR ELECTRICAL TEST PURPOSE.
 - △ PRODUCT SPECIFICATION: 108-94297, 108-94451 APPLICATION SPECIFICATION: 114-94130, 114-94325
 - △ MANUFACTURING CODE: TE PART NO., CURRENT REV. LEVEL AND DATE CODE (DD.MM.YY). TO BE PRINTED ON LABEL (ITEM 11). LABEL TO BE APPLIED TO THE CABLE AFTER SUCCESSFUL ELECTRICAL TEST.
 - △ LEVER POSITION: CLOSED ON DELIVERY

QTY 4-x	QTY 3-x	QTY 2-x	QTY 1-x	DESCRIPTION	ITEM NO.
1	1	1	1	LABEL, HELL, TYP 323, 25.4 x 95.25	11
see table	see table	see table	see table	1 POS. POWER CABLE, 50 SQMM	10
3	3	3	3	SHIELDING SLEEVE, 180 DEG	9
3	3	3	3	INSULATION INSERT, 180 DEG	8
3	3	3	3	8 MM HV. CONTACT, ASSY	7
3	3	3	3	PROTEC. COVER 8 MM HV, 90 DEG, 50 SQMM	6
3	3	3	3	SINGLE WIRE SEAL, 8 MM HV, 90 DEG, 50 SQMM	5
3	3	3	3	SHIELDING CRIMP FERRULE, 180 DEG OUTER	4
3	3	3	3	PROTECTION CAP, 180 DEG	3
3	3	3	3	SHIELD CRIMP FERRULE, 180 DEG INNER	2
1	-	-	-	3 POS., 8 MM HV, REC HSG, 180 DEG, ASSY, SEALED, COD D (CS)	1
-	1	-	-	3 POS., 8 MM HV, REC HSG, 180 DEG, ASSY, SEALED, COD C (CS)	
-	-	1	-	3 POS., 8 MM HV, REC HSG, 180 DEG, ASSY, SEALED, COD B (CS)	
-	-	-	1	3 POS., 8 MM HV, REC HSG, 180 DEG, ASSY, SEALED, COD A (CS)	

PRODUCT CHARACTERISTICS ACC. QMP EMEA_12
BESONDERE MERKMALE NACH QMP EMEA_12

TOLERANCING ISO 8015
TOLERIERUNG ISO 8015

DIESE ZEICHNUNG IST EIN KONTROLLIERTES DOKUMENT.
BEMASSUNGEN UND TOLERANZEN GEMAESS GPS (ISO STANDARDS).

THIS DRAWING IS A CONTROLLED DOCUMENT.
DIMENSIONING AND TOLERANCING PER GPS (ISO STANDARDS)

DIMENSIONS: mm

TOLERANCES UNLESS OTHERWISE SPECIFIED:

0 PLC	±
1 PLC	±
2 PLC	±
3 PLC	±
4 PLC	±
ANGLES	±

MATERIAL: - FINISH: -

WEIGHT: -

CUSTOMER DRAWING

APVD: J. Klusková, J. Janečka

DATE: 10MAR2015, 10MAR2015

PRODUCT SPEC: 3

APPLICATION SPEC: 3

NAME: 3 POS. HVP800, 180, 50 SQMM CABLE ASSY

SIZE: A1

SCALE: 1:1

SHEET 1 OF 2

REV E

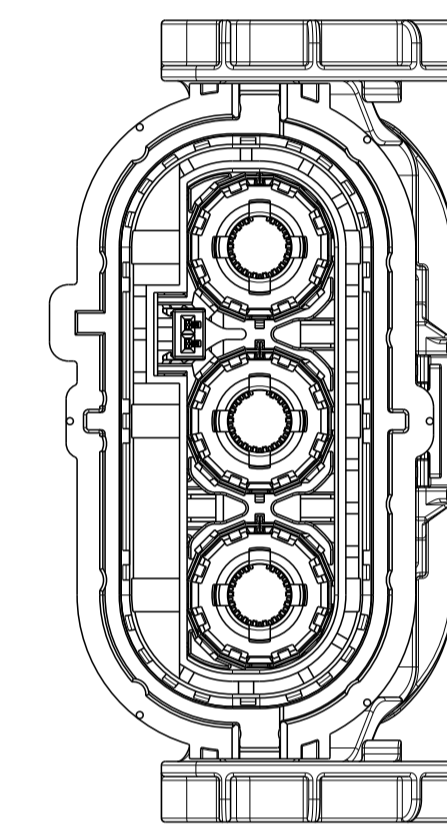
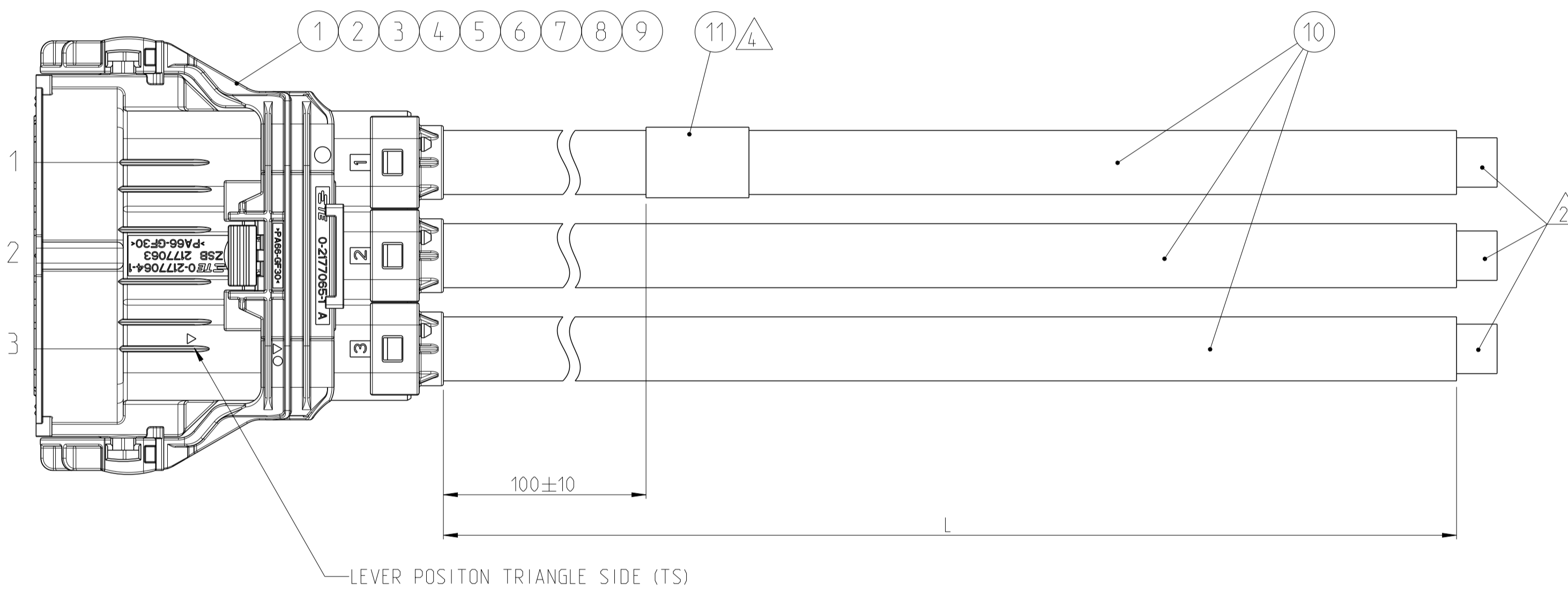
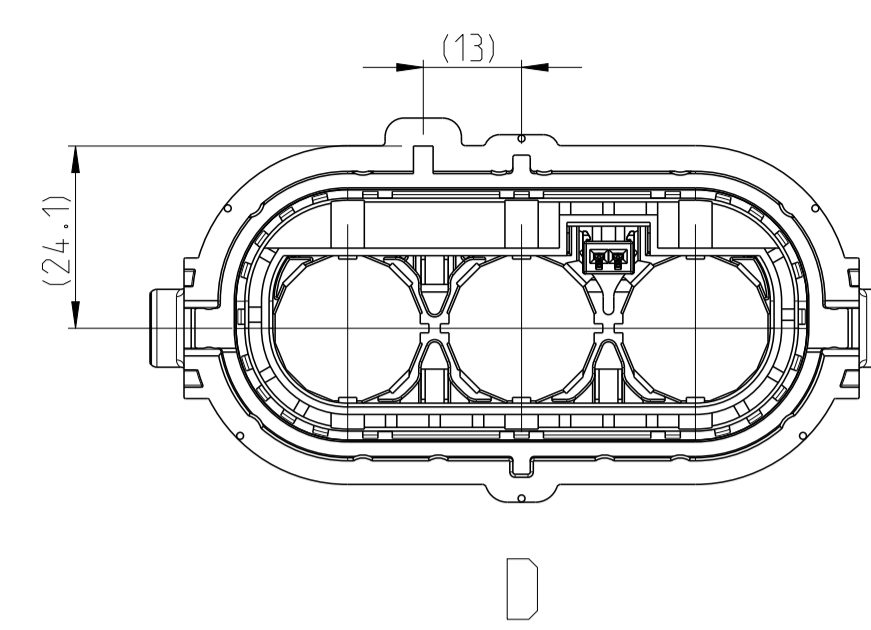
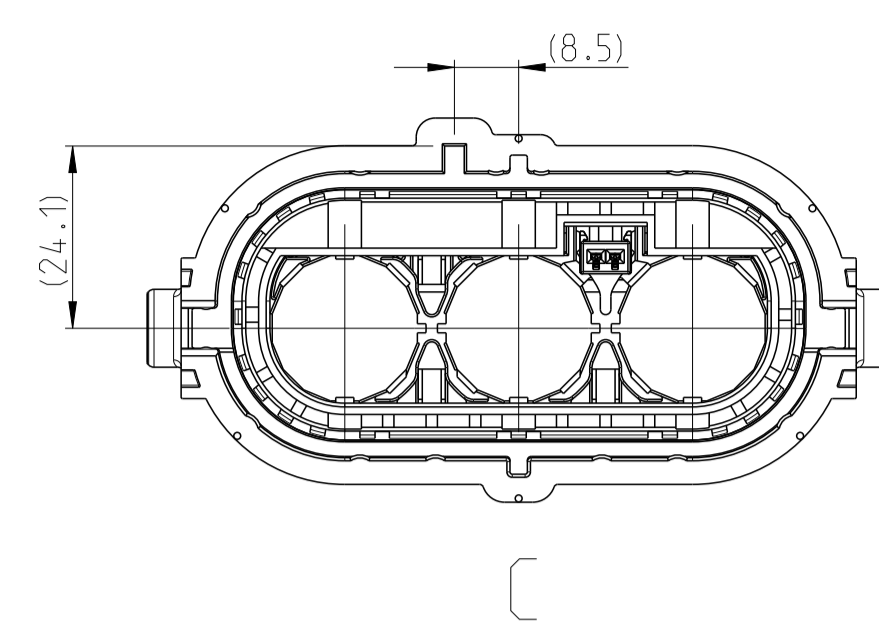
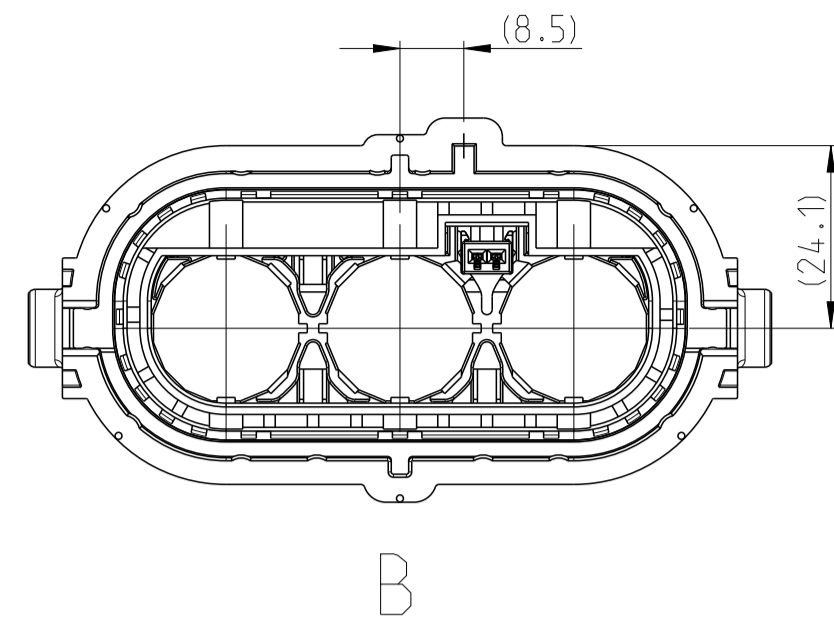
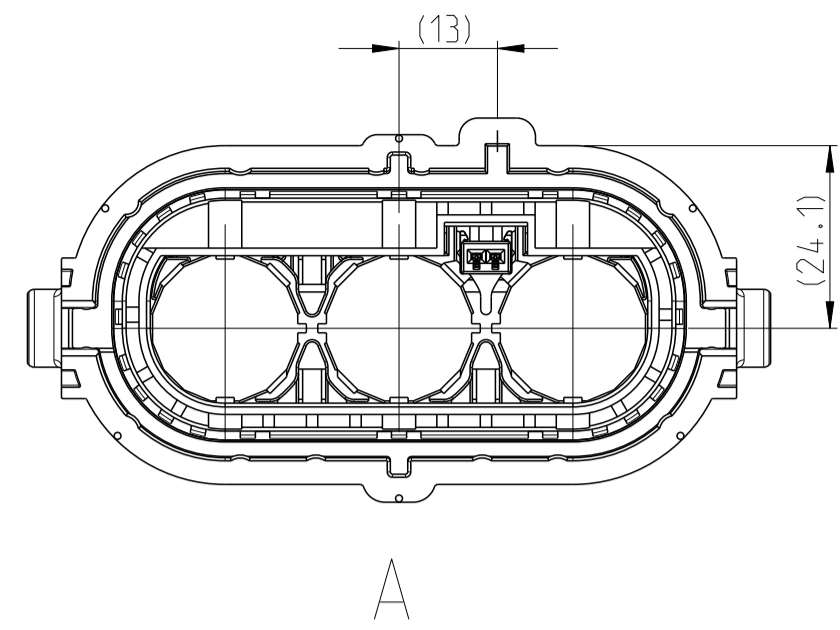
CODINGS - 1:1

THE DRAWING SHOWS THE 2-DIMENSIONAL REFERENCE COMPONENT CONDITION OF THE ASSEMBLY TO IDENTIFY AND SPECIFY THE NECESSARY DIMENSIONS ONLY. THE DELIVERED PARTS MAY DEVIATE FROM THE DRAWING REGARDING THE ORIENTATION AND POSITION OF EACH COMPONENT (e.g. SLACK CABLE), SO FAR THE FUNCTIONALITY IS NOT CONCERNED.

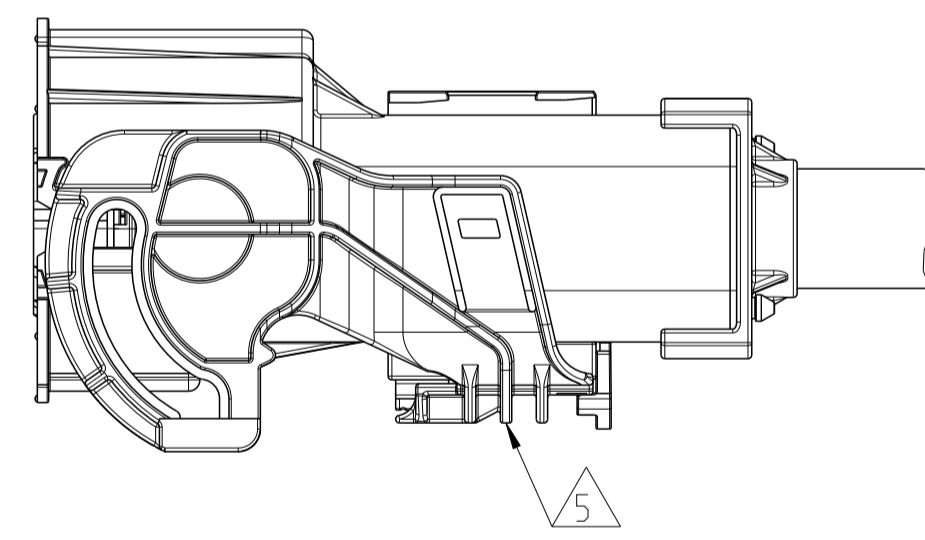
DIE ZEICHNUNG ZEIGT DEN 2-DIMENSIONALEN IDEALZUSTAND DES ZUSAMMENBAUTEILS BEZÜGLICH DER KOMPONENTEN ZUR IDENTIFIKATION UND SPEZIFIKATION DER NOTWENDIGEN DIMENSIONEN. HINSICHTLICH DER ORIENTIERUNG UND DER LAGE DER KOMPONENTEN (Z.B. BIEGESCHLAPPE KABEL) KÖNNEN DIE DELIEFERTEN TEILE VON DER ZEICHNUNG ABWEICHEN, SOFERN DIE FUNKTIONALITÄT NICHT BEEINTRÄCHTIGT IST.

REVISIONS

REV.	DATE	DESCRIPTION	BY	CHK.
-	-	SEE SHEET 1	-	-



TE PART NO.	REV.	LENGTH L [mm]	TOL. [mm]	CODING	LEVER POSITION
5-2286917-0	E	500	+30	A	TS
5-2286917-1	E	1000	+30		
5-2286917-2	E	2000	+35		
5-2286917-3	E	3000	+40		
5-2286917-4	E	4000	+50		
5-2286917-5	E	5000	+60	B	TS
6-2286917-0	E	500	+30		
6-2286917-1	E	1000	+30		
6-2286917-2	E	2000	+35		
6-2286917-3	E	3000	+40		
6-2286917-4	E	4000	+50	C	TS
6-2286917-5	E	5000	+60		
7-2286917-0	C	500	+30		
7-2286917-1	C	1000	+30		
7-2286917-2	C	2000	+35		
7-2286917-3	C	3000	+40	D	TS
7-2286917-4	C	4000	+50		
7-2286917-5	C	5000	+60		
8-2286917-0	C	500	+30		
8-2286917-1	C	1000	+30		
8-2286917-2	C	2000	+35	D	TS
8-2286917-3	C	3000	+40		
8-2286917-4	C	4000	+50		
8-2286917-5	C	5000	+60		



△ LABEL LEGEND:

STE — CURRENT REV.

TE PN: X-2286917-Y Rev. — DATE CODE

DD/MM/YY — DATE CODE

2.7 kV DC TEST PASSED

- NOTES**
- 1 PACKAGING: HOUSING WRAPPED IN FOAM AND FIXED WITH RUBBER BAND. CABLE ASSEMBLY PROTECTED BY PAPER CUSHIONS INSIDE OF STANDARD BOX (ACCORDING TE SPEC. 107-18032). DAMAGED TO BE AVOIDED.
 - △ ELECTRICAL TEST ACCORDING TE SPECIFICATION 108-18857. USE CURRENT REVISION ALWAYS. MIN. 10 mm STRIPPING OF OUTER JACKET AND BRAID FOR ELECTRICAL TEST PURPOSE.
 - △ PRODUCT SPECIFICATION: 108-94297, 108-94451 APPLICATION SPECIFICATION: 114-94130, 114-94325
 - △ MANUFACTURING CODE: TE PART NO., CURRENT REV. LEVEL AND DATE CODE (DD.MM.YY). TO BE PRINTED ON LABEL (ITEM 11). LABEL TO BE APPLIED TO THE CABLE AFTER SUCCESSFUL ELECTRICAL TEST.
 - △ LEVER POSITION: CLOSED ON DELIVERY

QTY 8-x	QTY 7-x	QTY 6-x	QTY 5-x	DESCRIPTION	ITEM NO.
1	1	1	1	LABEL, HELL, TYP 323, 25.4 x 95.25	11
see table	see table	see table	see table	1 POS. POWER CABLE, 50 SQMM	10
3	3	3	3	SHIELDING SLEEVE, 180 DEG	9
3	3	3	3	INSULATION INSERT, 180 DEG	8
3	3	3	3	8 MM HV. CONTACT, ASSY	7
3	3	3	3	PROTEC. COVER 8 MM HV, 90 DEG, 50 SQMM	6
3	3	3	3	SINGLE WIRE SEAL, 8 MM HV, 90 DEG, 50 SQMM	5
3	3	3	3	SHIELDING CRIMP FERRULE, 180 DEG OUTER	4
3	3	3	3	PROTECTION CAP, 180 DEG	3
3	3	3	3	SHIELD CRIMP FERRULE, 180 DEG INNER	2
1	-	-	-	3 POS., 8 MM HV, REC HSG, 180 DEG, ASSY, SEALED, COD D (TS)	1
-	1	-	-	3 POS., 8 MM HV, REC HSG, 180 DEG, ASSY, SEALED, COD C (TS)	
-	-	1	-	3 POS., 8 MM HV, REC HSG, 180 DEG, ASSY, SEALED, COD B (TS)	
-	-	-	1	3 POS., 8 MM HV, REC HSG, 180 DEG, ASSY, SEALED, COD A (TS)	

PRODUCT CHARACTERISTICS ACC. QMP EMEA_12
BESONDERE MERKMALE NACH QMP EMEA_12

TOLERANCING ISO 8015
TOLERIERUNG ISO 8015

DIESE ZEICHNUNG IST EIN KONTROLLIERTES DOKUMENT.
BEMASSUNGEN UND TOLERANZEN GEMAESS GPS (ISO STANDARDS).

THIS DRAWING IS A CONTROLLED DOCUMENT.
DIMENSIONING AND TOLERANCING PER GPS (ISO STANDARDS)

APVD By: **Hort** 10MAR2015
APVD By: **Janecka** 10MAR2015

DIMENSIONS: mm

TOLERANCES UNLESS OTHERWISE SPECIFIED:

0 PLC	±
1 PLC	±
2 PLC	±
3 PLC	±
4 PLC	±
ANGLES	±

WEIGHT: -

CUSTOMER DRAWING

SCALE: 1:1

SHEET 2 OF 2

REV E