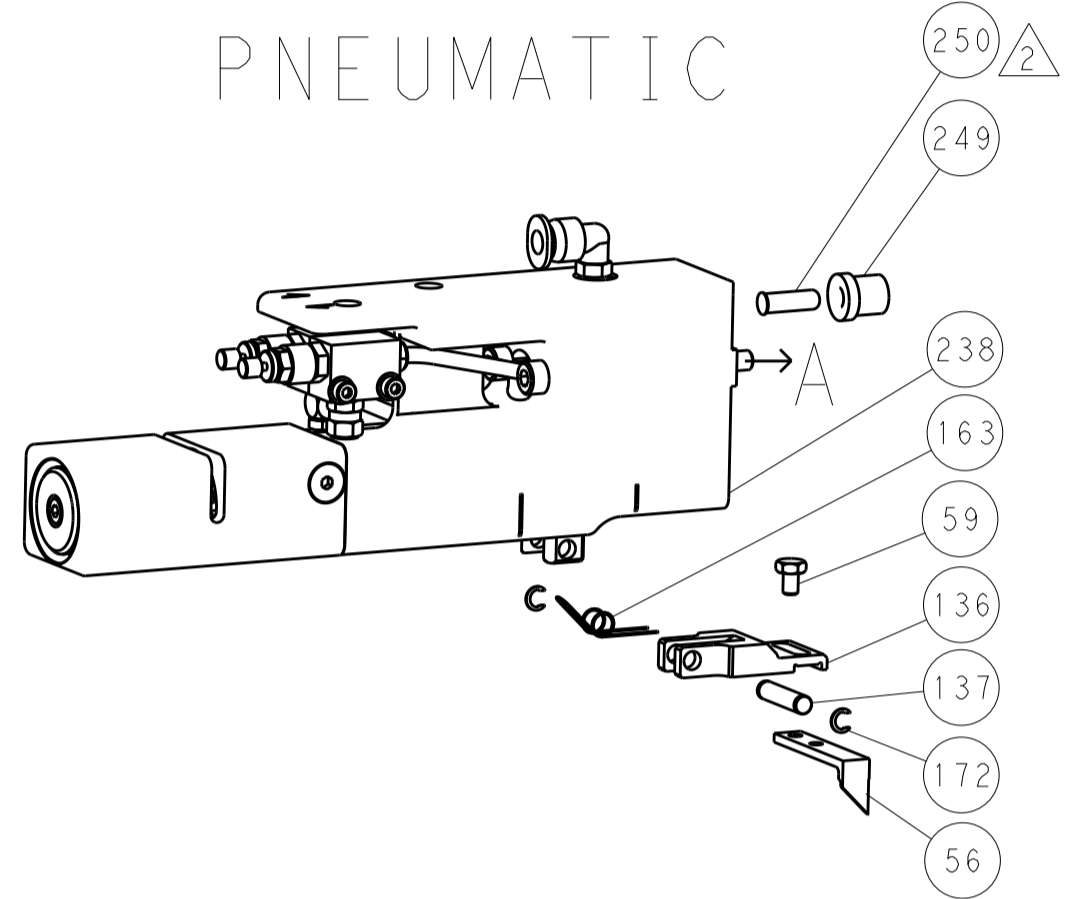


LOC		DIST		REVISIONS			
A	66	P	LTM	DESCRIPTION	DATE	DWN	APVD
		-	-	SEE SHEET 1	-	-	-

FEED TYPE MECHANICAL



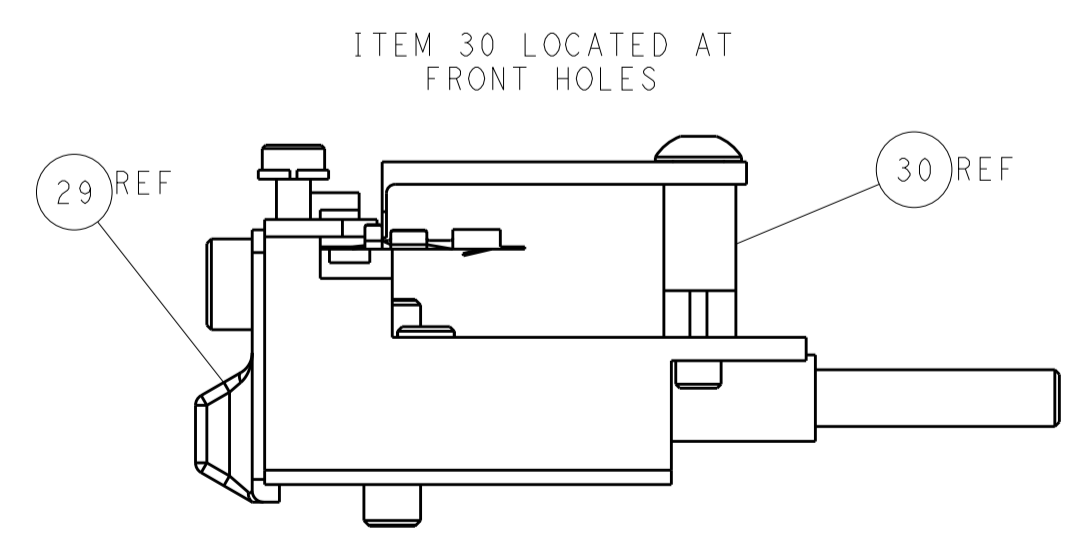
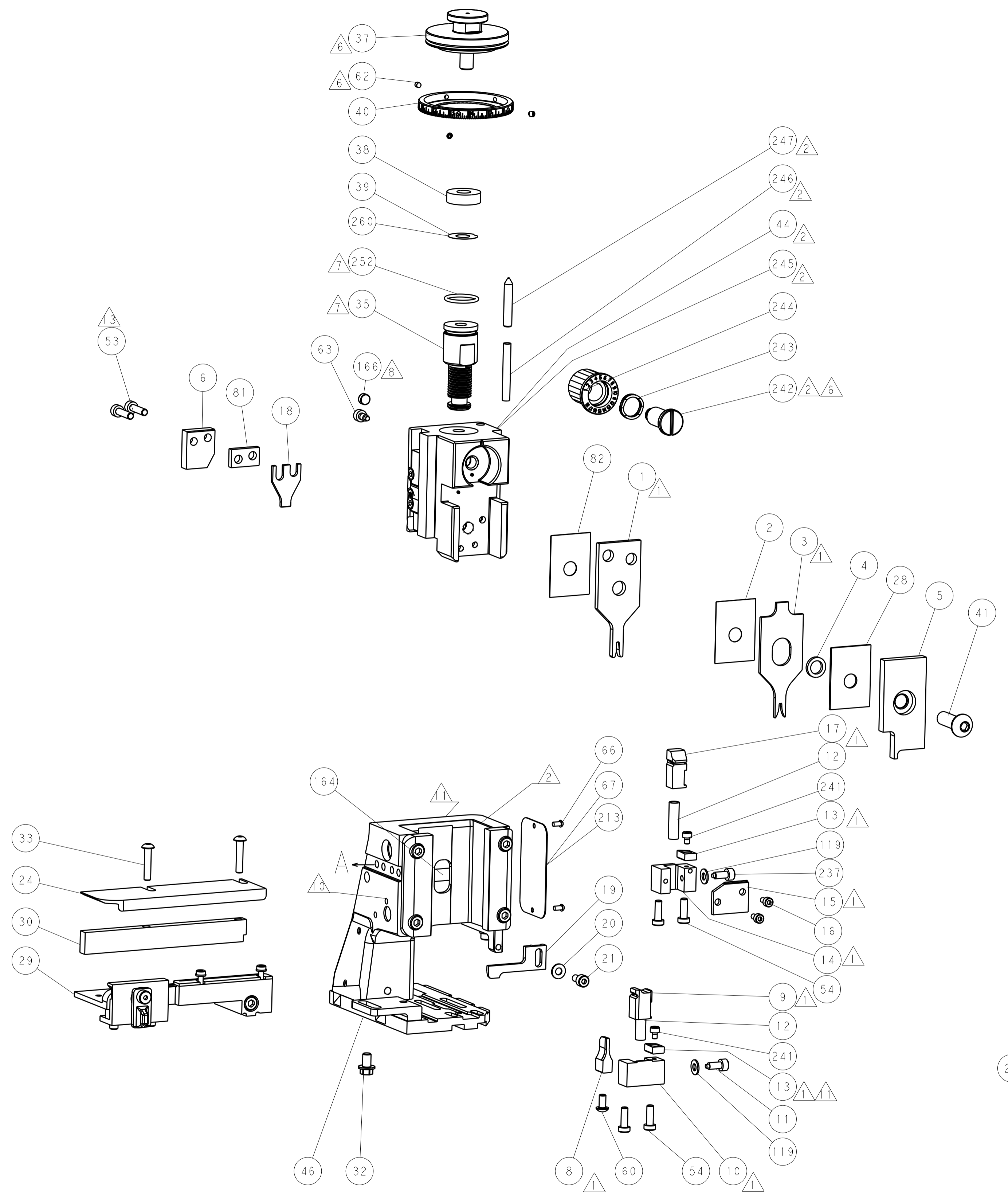
PNEUMATIC



SERVO LATCH PLATE



CAM POSITIONS



ATLANTIC VERSION
 Shown on sheets 1 of 4 & 2 of 4
 (Pacific version shown on sheets 3 of 4 & 4 of 4)

DIMENSIONS:		TOLERANCES UNLESS OTHERWISE SPECIFIED:		DWN R. HUANG 21NOV2013		TE Connectivity	
mm	0 PLC ±0.5	1 PLC ±0.5	2 PLC ±0.13	3 PLC ±0.013	4 PLC ±0.001	CHK L. ZHANG 21NOV2013	Harrisburg, PA 17105-3608
MATERIAL:		FINISH:		APVD H. GUO 21NOV2013		NAME Ocean Side Feed Applicator	
				WEIGHT:		SIZE CAGE CODE DRAWING NO. RESTRICTED TO	
				Customer Accessible Production Drawing		A1 00779 ©=2266150	
				SCALE 1:2		SHEET 2 OF 4 REV A1	

REV. NO.		REVISIONS				
LOC	DIST	P. LTH	DESCRIPTION	DATE	OWN	APVD
A	66	-	SEE SHEET 1	-	-	-

FEED TYPE MECHANICAL



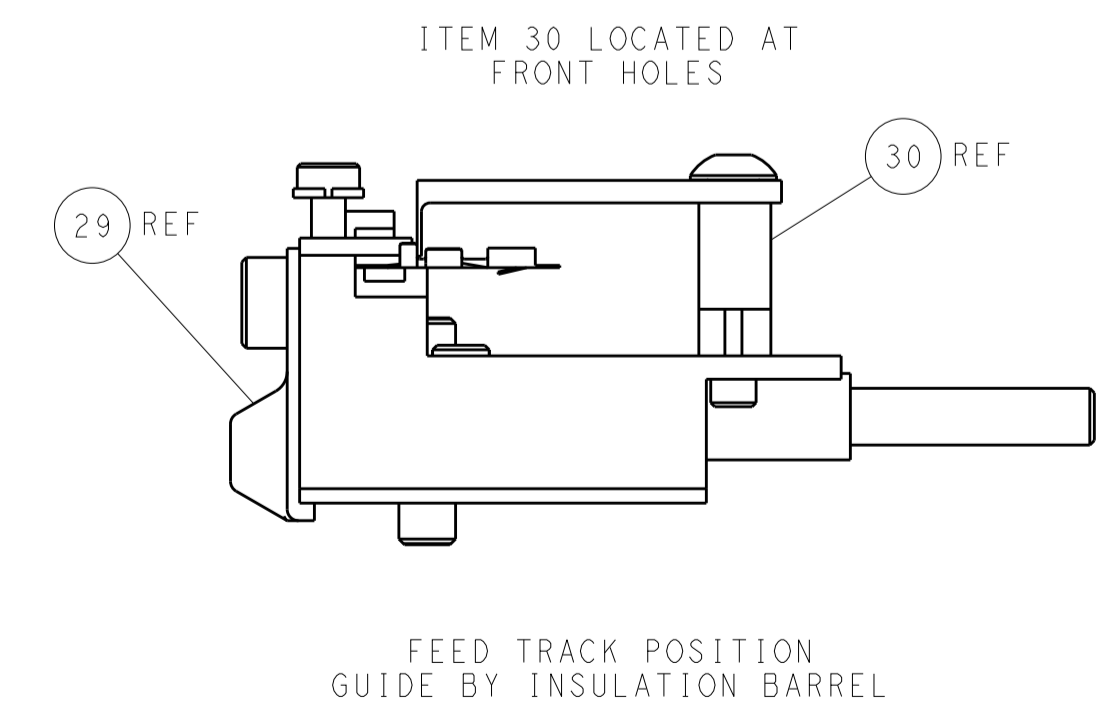
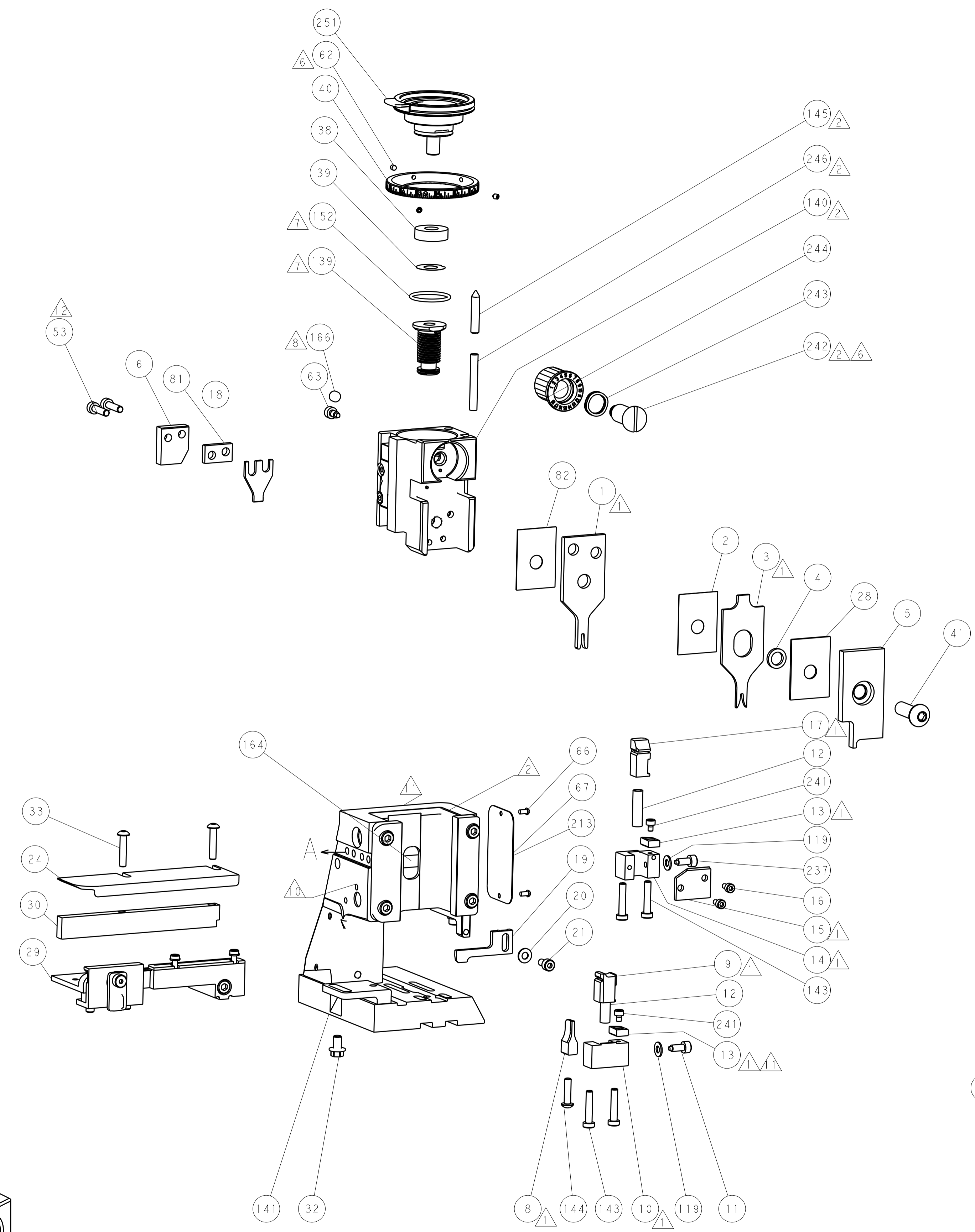
PNEUMATIC



SERVO LATCH PLATE



CAM POSITIONS



PACIFIC VERSION
 Shown on sheets 3 of 4 & 4 of 4
 (Atlantic version shown on sheets 1 of 4 & 2 of 4)

DIMENSIONS:		TOLERANCES UNLESS OTHERWISE SPECIFIED:		DWN: H. HUANG 21NOV2013		STE Connectivity	
mm	0 PLC ±0.5	1 PLC ±0.5	2 PLC ±0.13	3 PLC ±0.13	4 PLC ±0.001	CHK: L. ZHANG 21NOV2013	Harrisburg, PA 17105-3608
MATERIAL:		FINISH:		APVD: H. GUO 21NOV2013		NAME: Ocean Side Feed Applicator	
Customer Accessible Production Drawing		SCALE: 1:2		SHEET 4 OF 4		REV: A1	