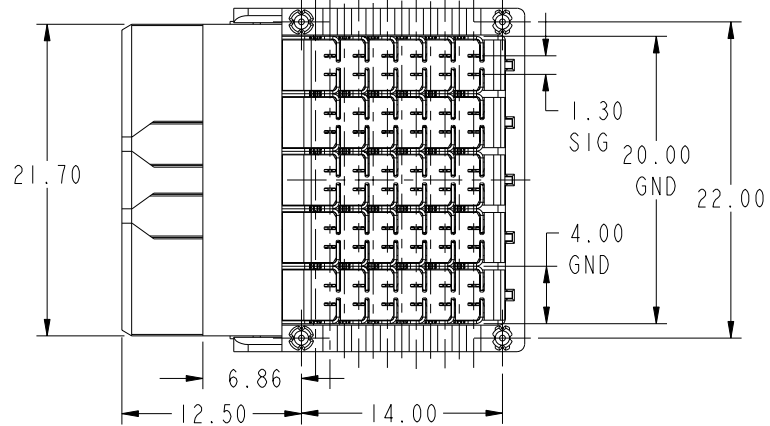
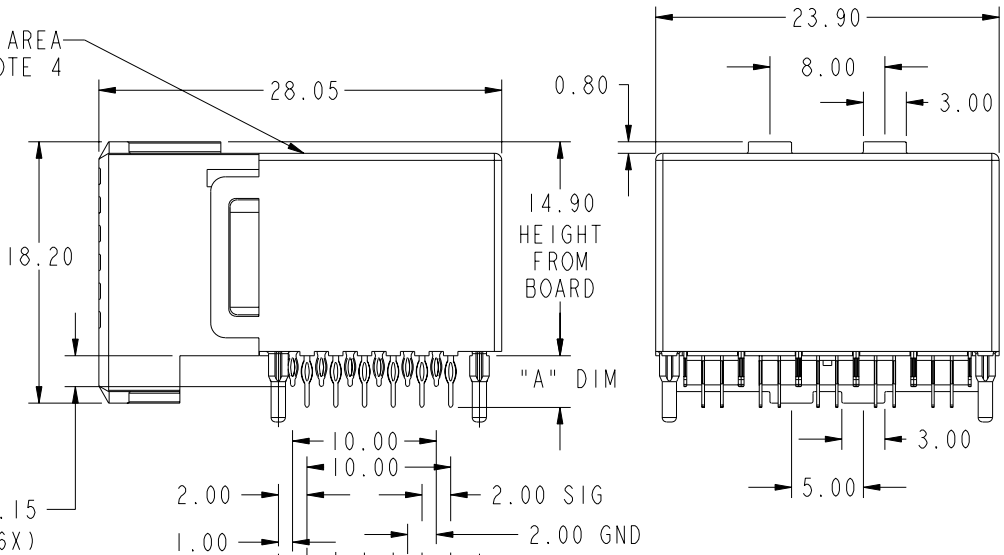
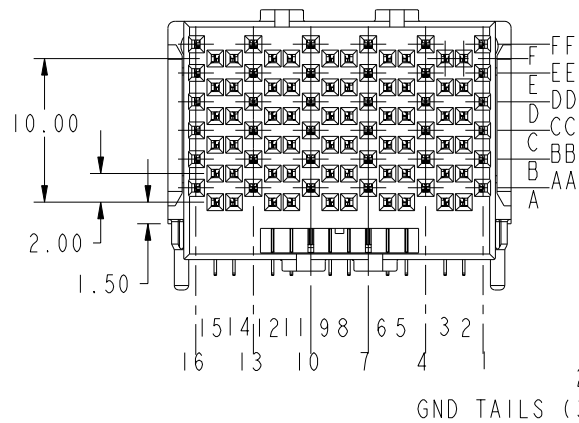


PRODUCT NUMBER
SEE TABLE

PART MARKING AREA
SEE NOTE 4



NOTES:

1. BODY MATERIAL: LCP, 30% GF
FLAME RETARDANT ACC. UL 94-V0.
2. CONTACT MATERIAL: COPPER ALLOY
3. PLATING ON PRESS FIT TAIL:
63371-XYLF IS Sn (LEAD FREE)
4. PRODUCT MARKING: PART NUMBER
AND BATCH ID.
5. SEE GS-20-012 FOR APPLICATION TOOLING.
6. THE PRODUCTS MEET THE EUROPEAN UNION DIRECTIVES
AND OTHER COUNTRY REGULATIONS AS DESCRIBED
IN GS-22-008.
7. ALL PRODUCTS WILL WITHSTAND EXPOSURE TO
260°C FOR 10 SECONDS IN A CONVECTION,
INFRA-RED OR VAPOR PHASE REFLOW OVEN,
IF IN A DRY ATMOSPHERE.

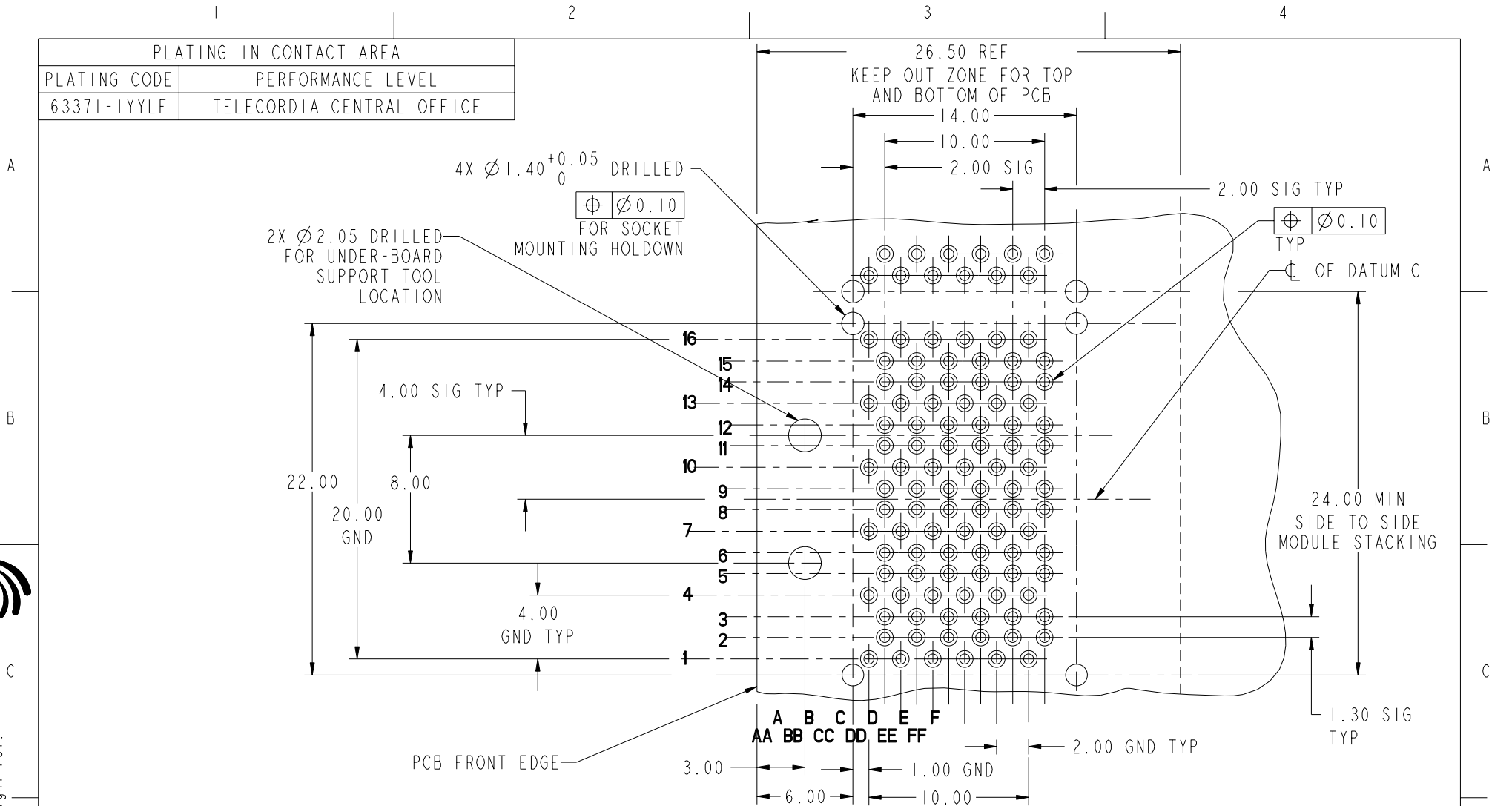


Copyright FCI.

rev	ecn no	dr	date
C	V01244	SCS	05-12-00
D	V02721	SCS	01-26-01
E	V12260	JLO	10-08-01
F	HC1064	AR	12-17-01
G	V05-0568	TAB	07-06-05
H	M08-0132	AGS	01-05-08
J	M08-014	MHT	2008-05-20

www.fciconnect.com		surface	tolerance std	projection	MM
		TOLERANCES UNLESS OTHERWISE SPECIFIED			
Dr	S. STONER	3/22/00	ANGULAR	0.X ±.3	size A4
Eng	J. ORTEGA	3/22/00	LINEAR	0.XX ±.13	Scale 2:1
Chr	J. ORTEGA	3/22/00	0° ±°	0.XXX ±.050	ECN M08-0141
Appr	J. ORTEGA	3/22/00	Product family METRAL(tm)		Spec ref -
		title METRAL 3000 R.A. RECEPT. ASSY-6X5-24MM		dwg no 63371	Rev. J
catalog no		CUSTOMER		sheet 1 of 4	

PLATING IN CONTACT AREA	
PLATING CODE	PERFORMANCE LEVEL
63371-1YYLF	TELECORDIA CENTRAL OFFICE



PRESS-FIT HOLES	SIZE RANGE	IMMERSION Sn	IMMERSION Ag	IMMERSION Au
HOLE DIAMETER AFTER PLATING	∅0.55 - ∅0.65	0.58-0.68	0.58-0.68	0.58-0.68
DRILLED HOLE	∅0.675 - ∅0.725	0.71-0.76	0.71-0.76	0.71-0.76
COPPER PLATING	0.025 MIN	0.025-0.05	0.025-0.05	0.25-0.05
NICKEL PLATING				0.003-0.007
SnPb PLATING	0.005 - 0.015			
IMMERSION Sn		0.9-1.5um		
IMMERSION Ag			0.15-0.65um	
IMMERSION Au				FLASH UP TO 0.002

	TITLE METRAL 3000 R.A. RECEIPT. ASSY-6X5-24MM	dwg no 63371	Rev. J
	catalog no	CUSTOMER	sheet 2 of 4



Copyright FCJ.



Copyright FCI.

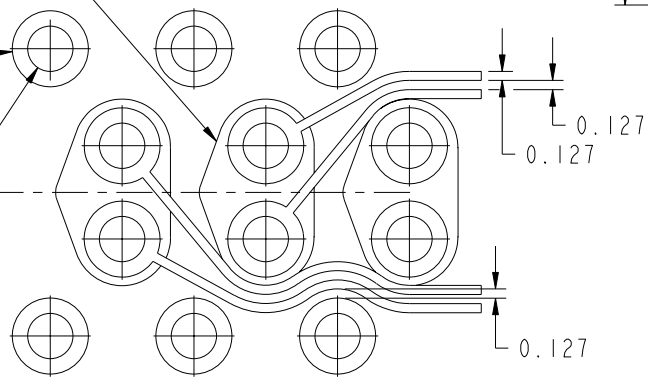
C

D

SUGGESETED GROUND CLEARANCE PATTERN

Ø 1.057
PAD SIZE

Ø 0.70 TYP
DRILLED HOLE
FINISHED HOLE
Ø 0.60±0.05



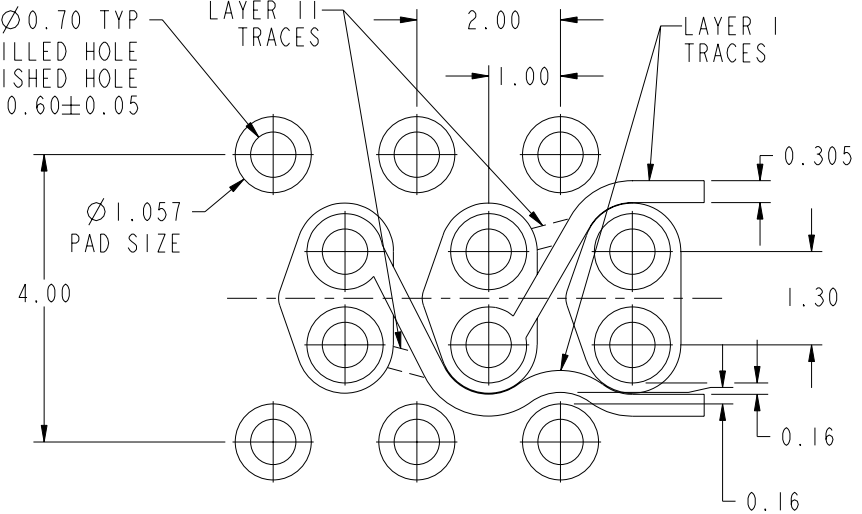
OPTION A (EDGE COUPLED)
DIFFERENTIAL
PCB TRACE LAYOUT

- 0.127 mm [0.005 in] TRACES MAX.
WITH 0.127 mm [0.005 in] GAPS
- 4 TRACES (2 PAIRS) PER LAYER

Ø 0.70 TYP
DRILLED HOLE
FINISHED HOLE
Ø 0.60±0.05

LAYER II
TRACES

LAYER I
TRACES



OPTION B (BROADSIDE COUPLED)
DIFFERENTIAL
PCB TRACE LAYOUT

- UP TO 0.305 mm [0.012 in]
TRACES MAX WITH 0.16 mm
[0.006 in] GAPS
- 2 TRACES PER LAYER

	FILE	METRAL 3000 R.A. RECEPT. ASSY-6X5-24MM	dvw no 63371	Rev. J
	CATALOG NO	CUSTOMER		

PRODUCT NUMBER	PCB THICKNESS	DIM "A" SIGNAL TAIL LENGTH
63371-X02LF	1.60	2.73
63371-X12LF	>= 2.40	3.53

1.75 (NOMINAL)
GROUND BEAM
POINT OF CONTACT

2.30 (NOMINAL)
SIGNAL BEAM
POINT OF CONTACT

RECEPTACLE
MATING FACE

DAUGHTER-BOARD
PCB



Copyright FCI.

	title METRAL 3000 R.A. RECEPT. ASSY-6X5-24MM	dwg no 63371	Rev. J
	catalog no	CUSTOMER	sheet 4 of 4