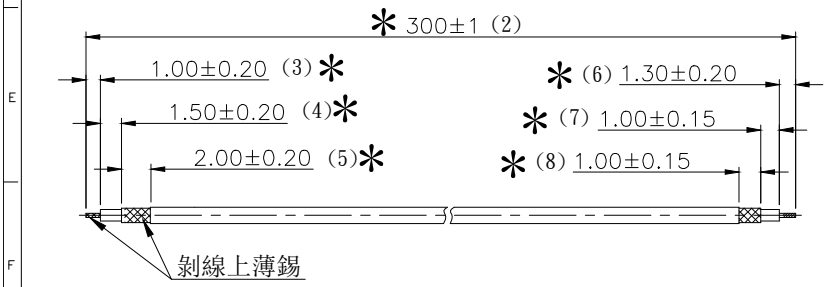
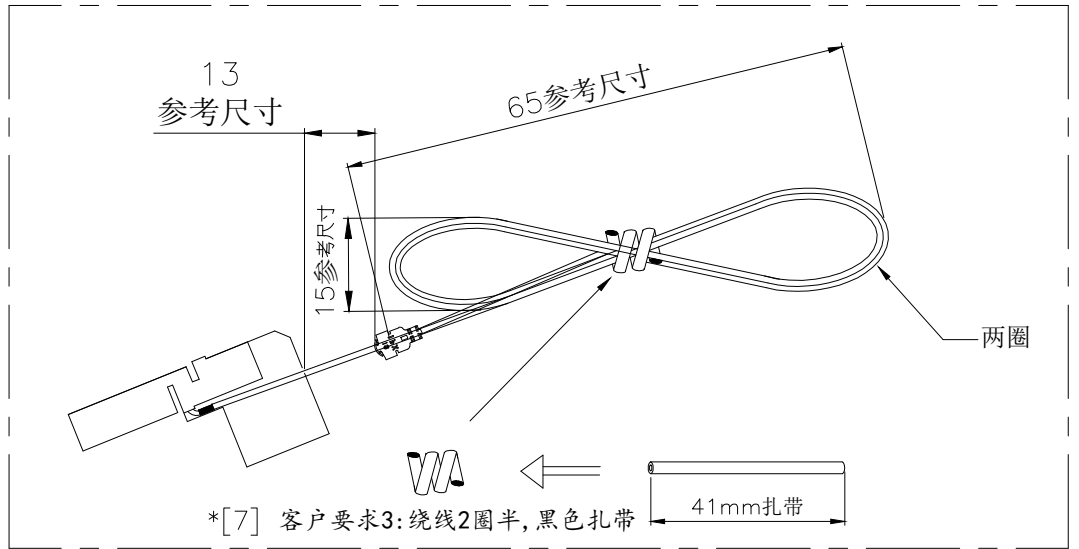
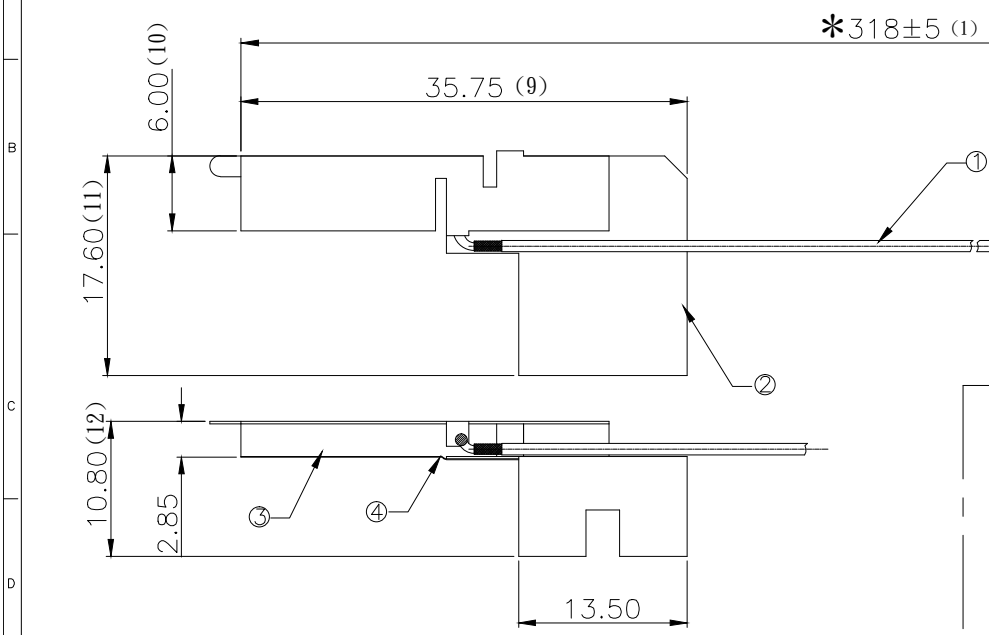


REV.	ECN NO.	LOCAS.	DESCRIPTION	DATE	DESIGN
A0			The first edition released	2017.07.15	lwh
A1			更改3M胶	2019.12.13	XIU HE



此线材为OD1.13黑色双锡线

- 备注:
1. 线材表面不能出现刮花, 剥线沾锡 不能有大头和破洞等等;
 2. 洋白铜焊点不能有假焊, 表面不能有刮花和锡渣等不良;
 3. 带"(XX)" 尺寸为FAI, 带"*" 尺寸重点尺寸;
 4. 包装规格: 1PCS/袋, 扎线方式: 端子与洋白铜同向.

5	2LM10P113210	I-PEX	1.13 I-PEX 镀金	1
4	2MB020	双面胶	白色底蓝色字双面背胶 L38.8*W17.4*T0.15mm	1
3	2MH021	海绵	黑色海绵,L27.50*W5.70*T2.6mm,较厚的EVA	1
2	2YC002	振子	洋白铜(振子)不剪 L35.75*W17.60*T0.2	1
1	2C5M11312BK1	CABLE	1.13黑色双锡线, L=300mm	1
NO	P/N	PART NAME	DESCRIPTION	Q'TY

COPLIANCE WITH THE REQUIEMENT RoHS HF SONY00259 OTHER
* NO USING RESTRICTED AND BANNED SUBSTANCE

DIM	TOL	DIM	TOL
X.	±5.00	X'	±15.0'
X.X	±0.50	X.X'	±3.0'
X.XX	±0.20	X.XX'	±2.0'
X.XXX	±0.050	X.XXX'	±1.0'

HJ-Tech 东莞市皇捷通讯科技有限公司

DRAW NO.	DATE	DRAW NAME:	
DESIGN: lwh	2017.07.15	钢片内置天线;OD1.13黑色双锡线;P1端焊接PIFA; P2端打一代端子;裁线长L=300mm	
CHECK:		FILE:	P/N NO.
APPROVED:		MODEL:	HJ-IPEX1-RG1.13-300mm
		REV. A0	SCALE N/A
		UNIT: mm	SHEET: N/A