

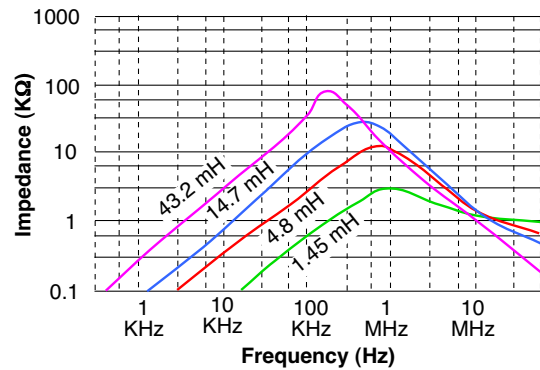
- Used as AC Power Line Filters in CTV, VTR, Audios, PC's, Facsimilies and Power Supply Applications
- UL94V0 Recognized Materials
- Excellent for EMI Suppression
- UL1446 Insulating System
- High Current Ratings

Electrical Parameters @ 25° C

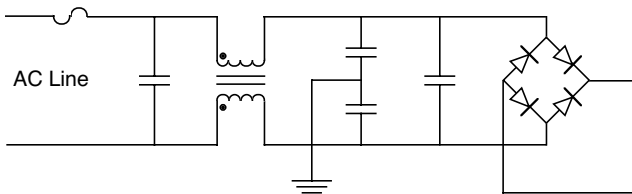
Part Number	Inductance (mH)		Current Rating (A rms Max.)	DCR (Ω Typ.)	Temp. Rise (Typ)
	[Pins 1-2, 4-3] Min.	Typ.			
EPZ3065-102	1.0	1.45	11	.008	34
EPZ3065-202	2.0	3.1	6.6	.022	36
EPZ3065-302	3.3	4.8	4.6	.044	35
EPZ3065-522	5.2	7.5	3.7	.070	36
EPZ3065-752	7.5	10.8	2.8	.123	36
EPZ3065-103	10.2	14.7	2.4	.168	36
EPZ3065-153	15.5	22.2	1.9	.267	36
EPZ3065-203	20	28.8	1.5	.380	33
EPZ3065-303	30	43.2	1.1	.743	34

• Isolation : 3750 Vrms •

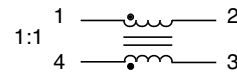
Typical Impedance Characteristics



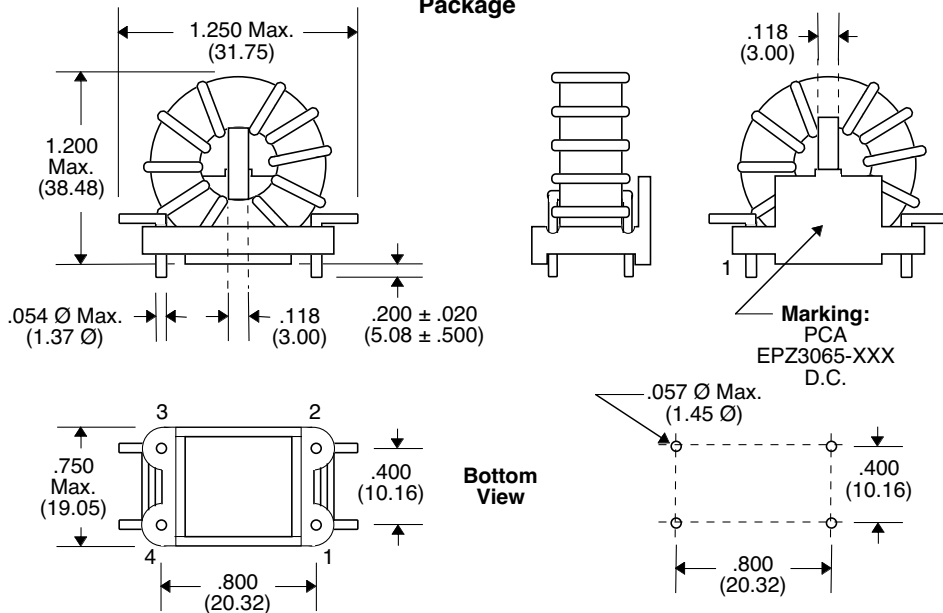
Circuit Sample



Schematic



Package



Unless Otherwise Specified Dimensions are in Inches /mm ± .010 / .25