

**PLEASE CHECK WWW.MOLEX.COM FOR LATEST PART INFORMATION**

**Part Number:** **5011932000**  
**Status:** **Active**  
**Overview:** picoclasp  
**Description:** 1.00mm (.039") Pitch Pico-Clasp™ Wire-to-Board Crimp Terminal, 28-32 AWG, Lead-free, Gold Plating

**Documents:**

[Drawing \(PDF\)](#) [Product Specification PS-501571-001 \(PDF\)](#)  
[Product Specification PS-501190-001 \(PDF\)](#) [RoHS Certificate of Compliance \(PDF\)](#)  
[Product Specification PS-501190-003 \(PDF\)](#)

**General**

Product Family Crimp Terminals  
 Series 501193  
 Crimp Quality Equipment Yes  
 Overview picoclasp  
 Product Name Pico-Clasp™

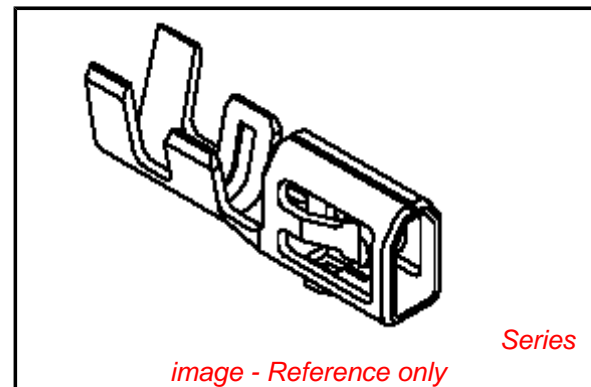
**Physical**

Gender Receptacle  
 Material - Metal Phosphor Bronze  
 Material - Plating Mating Gold  
 Packaging Type Reel  
 Termination Interface: Style Crimp or Compression  
 Wire Insulation Diameter 0.80mm (.031") max.  
 Wire Size AWG 28, 30, 32  
 Wire Size mm² N/A

**Material Info**

**Reference - Drawing Numbers**

Product Specification PS-501190-001, PS-501190-003, PS-501571-001, RPS-501190-008, RPS-501331-001, RPS-501571-007, RPS-501571-008  
 Sales Drawing SD-501193-002



**EU RoHS**

**ELV and RoHS Compliant**  
**REACH SVHC Contains SVHC: No**  
**Halogen-Free Status**

**China RoHS**



**Not Reviewed**

**Need more information on product environmental compliance?**

Email [productcompliance@molex.com](mailto:productcompliance@molex.com)  
 For a multiple part number RoHS Certificate of Compliance, [click here](#)

Please visit the [Contact Us](#) section for any non-product compliance questions.

**Search Parts in this Series**

501193Series

**Use With**

501189 Crimp Housing

**Application Tooling | FAQ**

*Tooling specifications and manuals are found by selecting the products below. Crimp Height Specifications are then contained in the Application Tooling Specification document.*

**Global**

Description	Product #
Fine Adjust™ Applicator for 1.00mm (.039") Pitch Wire-to-Board Crimp Terminal	<a href="#">0639019400</a>
Hand Crimp Tool for 1.00mm (.039") Pico-Clasp™ Wire-to-Board Crimp	<a href="#">0638191500</a>

Terminal, 28-32  
AWG

**Japan**

<b>Description</b>	<b>Product #</b>
--------------------	------------------

Applicator for M211A	<u>5780163000</u>
----------------------	-------------------

Bench Press, 28-32

AWG, for 501193

and 501334 Crimp

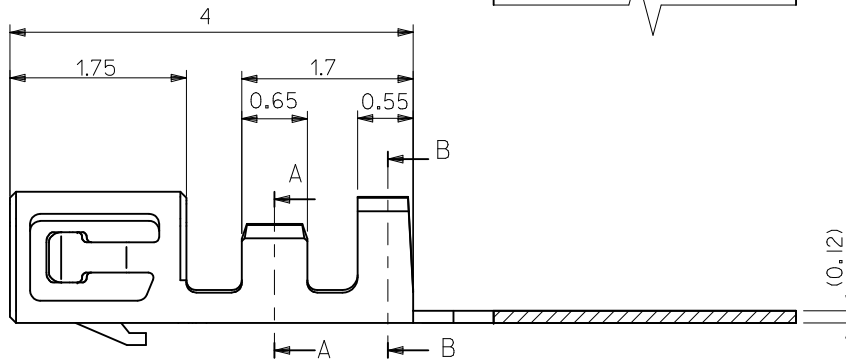
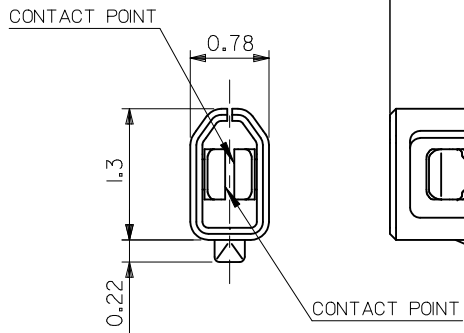
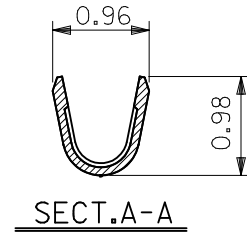
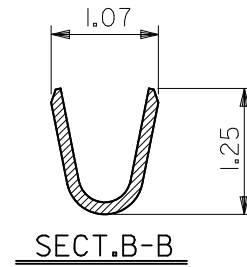
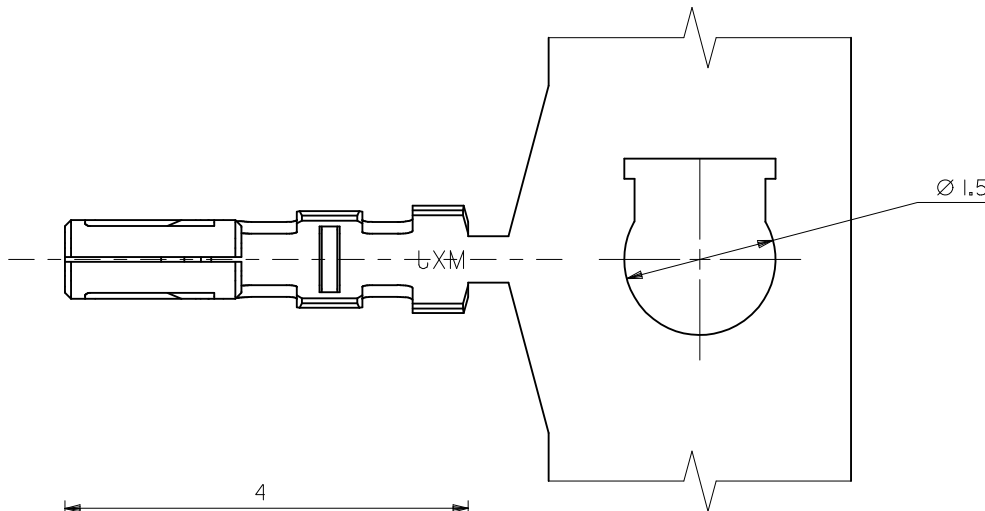
Terminal

Hand Extraction Tool 5780166000

This document was generated on 05/31/2010

**PLEASE CHECK [WWW.MOLEX.COM](http://WWW.MOLEX.COM) FOR LATEST PART INFORMATION**

10 9 8 7 6 5 4 3 2 1



NOTES.

- 適合ハウジング: 501189-\*\*\*\*  
APPLICABLE HOUSING : 501189-\*\*\*\*
- メッキ仕様 (前メッキ)  
PLATING (PRE-PLATING)  
接点部金メッキ: 0.1μm MIN.  
CONTACT AREA GOLD PLATING  
下地ニッケルメッキ: 1.0μm MIN.  
UNDER PLATING NICKEL PLATING
- 本製品は 501193 の部分金メッキ品である。  
THIS PRODUCT IS A PRODUCT THAT GAVE 501193  
A PARTIAL GOLD PLATE.

501193-2100	バラ状 LOOSE
501193-2000	連鎖状 CHAIN
MATERIAL NO.	端子形状 FORM

<b>MATERIAL</b> リン青銅 下地ニッケル、部分金メッキ品 PHOSPHOR BRONZE t=0.12 PRE-GOLD PLATING PRE-UNDER NICKEL PLATING	<b>REVISED</b> EC NO: J2010-1758 DRWN: HOKUBAYASHI 2010/03/02 CH'KD: SSAT003 2010/03/02 APPR: NUKITA 2010/03/02	<b>GENERAL TOLERANCES (UNLESS SPECIFIED)</b>		<b>DIMENSION STYLE</b> MM ONLY	<b>SCALE</b> 20:1	<b>DESIGN UNITS</b> METRIC	THIRD ANGLE PROJECTION
		10 UNDER ±0.2 10 OVER 30 UNDER ±0.25 30 OVER ±0.3	DRAWN BY M. NABEI	DATE '07/11/13	<b>TITLE</b> 1.0 WIRE TO BOARD CONN. CRIMP REC TERMINAL		
		ANGULAR ±3 ° DRAFT WHERE APPLICABLE MUST REMAIN WITHIN DIMENSIONS	CHECKED BY K. TOYODA	DATE '07/11/13	<b>MOLEX INCORPORATED</b>		
		SEE NOTE WIRE RANGE AWG#28-32 INS. RANGE ø 0.4-0.8	APPROVED BY NUKITA	DATE '07/11/13	MATERIAL NO. SEE TABLE	DOCUMENT NO. SD-501193-002	SHEET NO. 1 OF 1