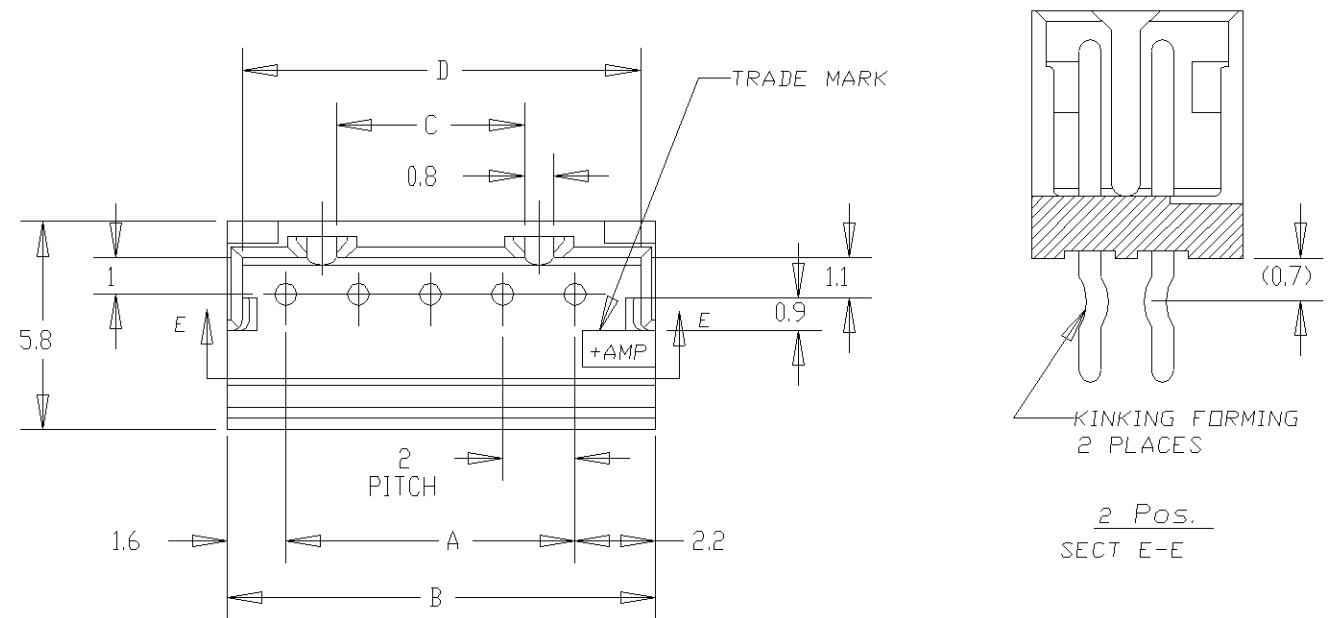
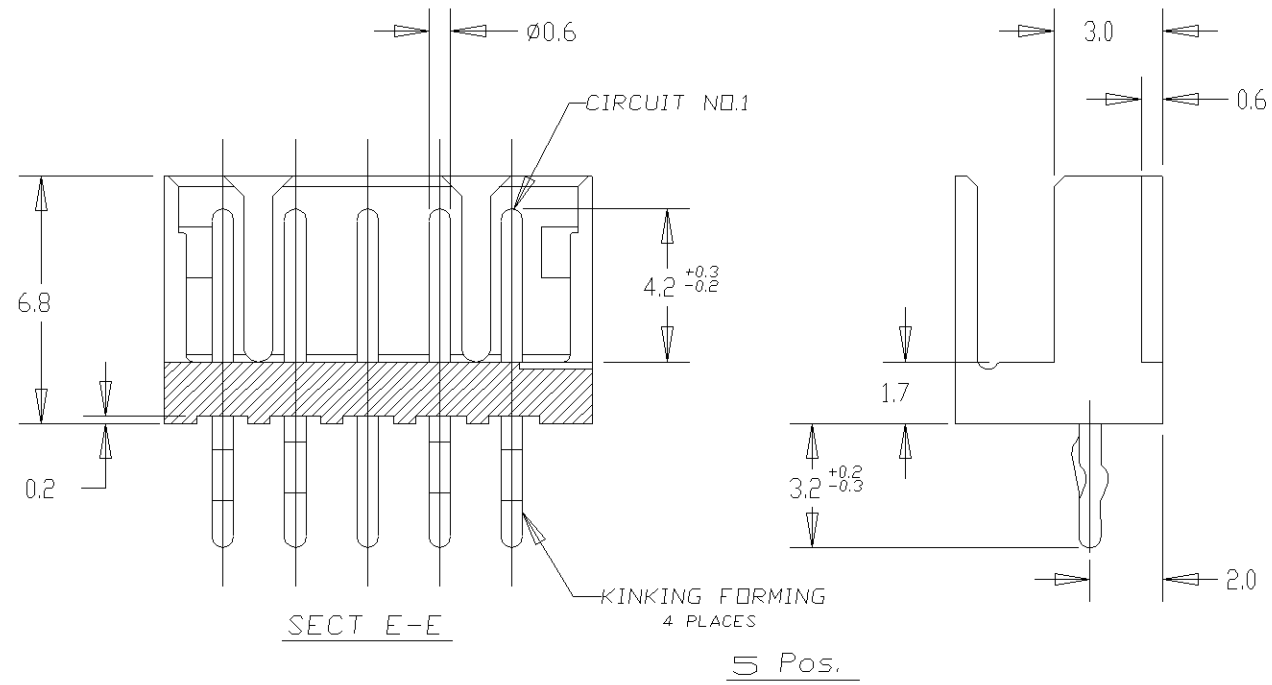
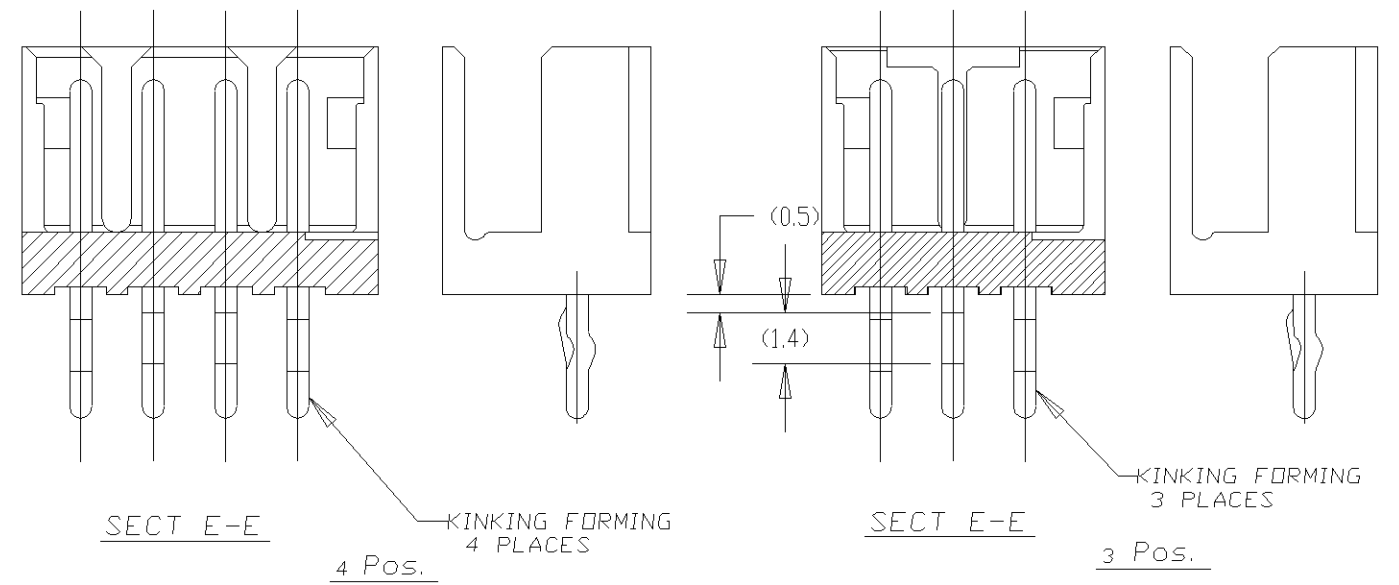


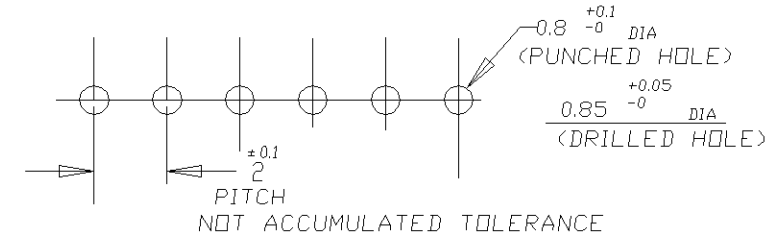
| LOC | | DIST | | REVISIONS | | | | | |
|-----|--|------|--|-----------|---------|---------------|---------|-----|------|
| ES | | 00 | | P | LTR | DESCRIPTION | DATE | DWN | APVD |
| | | | | A1 | REVISED | ECR-08-022283 | 11SEP08 | C.Z | S.Y |



NOTES:
 △ MATERIAL: HOUSING - 66 NYLON (UL94V-0)
 POST - TIN BRASS
 △ 7-292132-3 WAS OBSOLETE.



| | | | | | | | | | |
|------------|------------|------------|------------|------------|------|----|------|------|------|
| | 7-292132-5 | 5-292132-5 | 3-292132-5 | 1-292132-5 | 15 | 28 | 31.8 | 25.2 | 31.0 |
| | 7-▲-4 | 5-▲-4 | 3-▲-4 | 1-▲-4 | 14 | 26 | 29.8 | 23.2 | 29.0 |
| | 7-△-3 | 5-▲-3 | 3-▲-3 | 1-▲-3 | 13 | 24 | 27.8 | 21.2 | 27.0 |
| | 7-▲-2 | 5-▲-2 | 3-▲-2 | 1-▲-2 | 12 | 22 | 25.8 | 19.2 | 25.0 |
| | 7-▲-1 | 5-▲-1 | 3-▲-1 | 1-▲-1 | 11 | 20 | 23.8 | 17.2 | 23.0 |
| | 7-▲-0 | 5-▲-0 | 3-▲-0 | 1-▲-0 | 10 | 18 | 21.8 | 15.2 | 21.0 |
| | 6-▲-9 | 4-▲-9 | 2-▲-9 | ▲-9 | 9 | 16 | 19.8 | 13.2 | 19.0 |
| | 6-▲-8 | 4-▲-8 | 2-▲-8 | ▲-8 | 8 | 14 | 17.8 | 11.2 | 17.0 |
| | 6-▲-7 | 4-▲-7 | 2-▲-7 | ▲-7 | 7 | 12 | 15.8 | 9.2 | 15.0 |
| 8-292132-6 | 6-▲-6 | 4-▲-6 | 2-▲-6 | ▲-6 | 6 | 10 | 13.8 | 7.2 | 13.0 |
| | 6-▲-5 | 4-▲-5 | 2-▲-5 | ▲-5 | 5 | 8 | 11.8 | 5.2 | 11.0 |
| | 6-▲-4 | 4-▲-4 | 2-▲-4 | ▲-4 | 4 | 6 | 9.8 | 3.2 | 9.0 |
| | 6-▲-3 | 4-▲-3 | 2-▲-3 | ▲-3 | 3 | 4 | 7.8 | — | 7.0 |
| | 6-292132-2 | 4-292132-2 | 2-292132-2 | 292132-2 | 2 | 2 | 5.8 | — | 5.0 |
| RED | BLACK | YELLOW | BLUE | NATURAL | Pos. | A | B | C | D |



RECOMMENDABLE P.C.BOARD LAYOUT
 (PCB THK:0.8-1.6)

TOLERANCES UNLESS OTHERWISE SPECIFIED:

| | |
|--------------|---------|
| 10 ≥ * | : ±0.2 |
| 30 ≥ * > 10 | : ±0.25 |
| 100 ≥ * > 30 | : ±0.3 |
| ANGEL | : ±3° |

THIS DRAWING IS A CONTROLLED DOCUMENT.

DIMENSIONS: mm

TOLERANCES UNLESS OTHERWISE SPECIFIED:

MATERIAL

FINISH

DWN J.JIANG 23JAN03
 CHK S.YAO 23JAN03
 APVD T.SASAKI 23JAN03
 PRODUCT SPEC
 108-60016
 APPLICATION SPEC
 WEIGHT -
 CUSTOMER DRAWING

Tyco Electronics Tyco Electronics Corporation
 Shanghai, P.R.China, 200233

NAME
 POST HEADER ASS'Y (BOX-V DIP)
 (AMP CT CONNECTOR 2mm PITCH)

| | | | |
|------|-----------|------------|---------------|
| SIZE | CAGE CODE | DRAWING NO | RESTRICTED TO |
| A3 | 00779 | C=292132 | - |

SCALE 5:1 SHEET 1 OF 2 REV A1

4

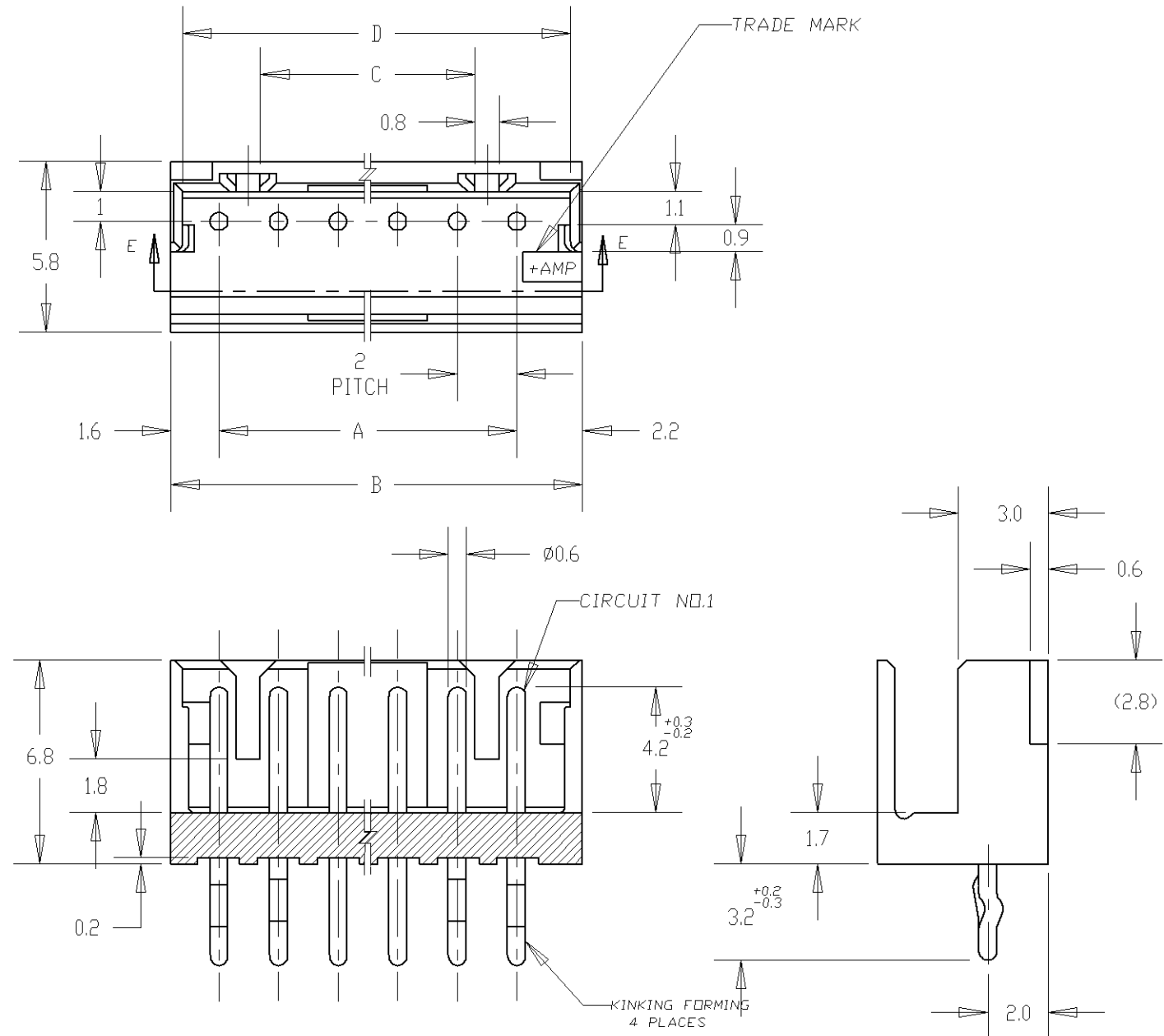
3

2

1

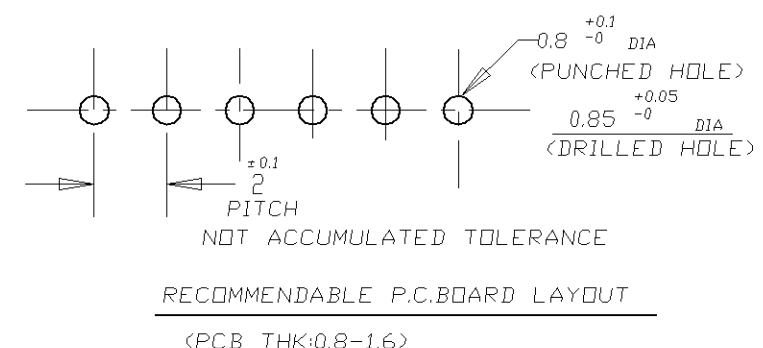
THIS DRAWING IS UNPUBLISHED. RELEASED FOR PUBLICATION
 © COPYRIGHT BY TYCO ELECTRONICS CORPORATION. ALL RIGHTS RESERVED.

| LOC | DIST | REVISIONS | | | | |
|-----|------|-------------|------|-----|------|--|
| P | LTR | DESCRIPTION | DATE | DWN | APVD | |
| ES | 00 | SEE SHEET 1 | - | - | - | |



NOTES;
 △ MATERIAL: HOUSING - 66 NYLON (UL94V-0)
 POST - TIN BRASS

| | 7-292132-5 | 5-292132-5 | 3-292132-5 | 1-292132-5 | 15 | 28 | 31.8 | 25.2 | 31.0 |
|------------|------------|------------|------------|------------|--------------------|----|------|------|------|
| | 7- -4 | 5- -4 | 3- -4 | 1- -4 | 14 | 26 | 29.8 | 23.2 | 29.0 |
| | 7- -3 | 5- -3 | 3- -3 | 1- -3 | 13 | 24 | 27.8 | 21.2 | 27.0 |
| | 7- -2 | 5- -2 | 3- -2 | 1- -2 | 12 | 22 | 25.8 | 19.2 | 25.0 |
| | 7- -1 | 5- -1 | 3- -1 | 1- -1 | 11 | 20 | 23.8 | 17.2 | 23.0 |
| | 7- 0 | 5- 0 | 3- 0 | 1- 0 | 10 | 18 | 21.8 | 15.2 | 21.0 |
| | 6- -9 | 4- -9 | 2- -9 | -9 | 9 | 16 | 19.8 | 13.2 | 19.0 |
| | 6- -8 | 4- -8 | 2- -8 | -8 | 8 | 14 | 17.8 | 11.2 | 17.0 |
| | 6- -7 | 4- -7 | 2- -7 | -7 | 7 | 12 | 15.8 | 9.2 | 15.0 |
| 8-292132-6 | 6- -6 | 4- -6 | 2- -6 | -6 | 6 | 10 | 13.8 | 7.2 | 13.0 |
| | 6- -5 | 4- -5 | 2- -5 | -5 | (SEE SHEET 1 OF 2) | | | | |
| | 6- -4 | 4- -4 | 2- -4 | -4 | | | | | |
| | 6- -3 | 4- -3 | 2- -3 | -3 | | | | | |
| | 6-292132-2 | 4-292132-2 | 2-292132-2 | 292132-2 | | | | | |
| RED | BLACK | YELLOW | BLUE | NATURAL | Pos. | A | B | C | D |



THIS DRAWING IS A CONTROLLED DOCUMENT.

DWN: J.JIANG 23JAN03
 CHK: S.YAO 23JAN03
 APVD: T.SASAKI 23JAN03

Tyco Electronics Corporation
 Shanghai, P.R.China, 200233

NAME: POST HEADER ASS'Y (BOX-V DIP)
 (AMP CT CONNECTOR 2mm PITCH)

PRODUCT SPEC: -
 APPLICATION SPEC: -
 WEIGHT: -

SIZE: A3 CAGE CODE: 00779 DRAWING NO: C-292132 RESTRICTED TO: -

CUSTOMER DRAWING SCALE: 5:1 SHEET: 2 OF 2 REV: A1