

D Series (Standard D-Sub)

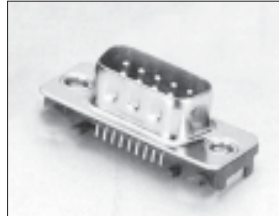
90° SMT Type (Male)

Specifications

Insulation Resistance: 1,000MΩ min.
 Withstanding Voltage: 500 V AC
 Contact Resistance: 20mΩ max.
 Current Rating: 2.5A
 Operating Temp. Range: -40°C to +105°C
 Soldering Temp.: 220°C / 60 sec., 250°C peak

Materials and Finish

Insulator: Polyester Resin (glass filled)
 Contacts: Machined Brass
 Plating: Gold over Nickel



Part Number (Details)

DSM - 09 P - G2 - V - *

Series

No. of Pins = 9 & 25

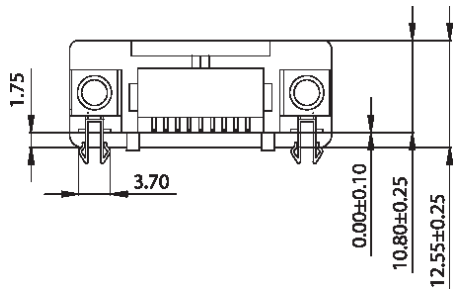
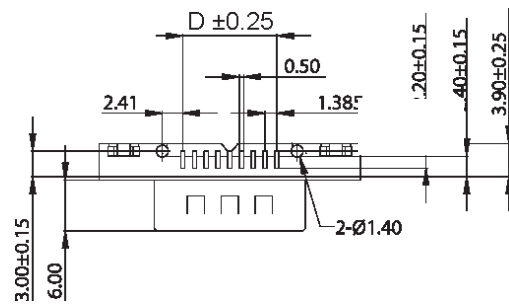
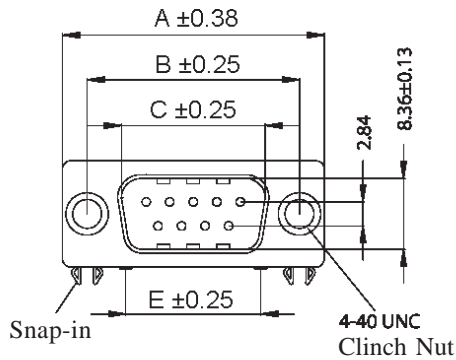
P = Male

Contact Plating: G2 = Gold Flash

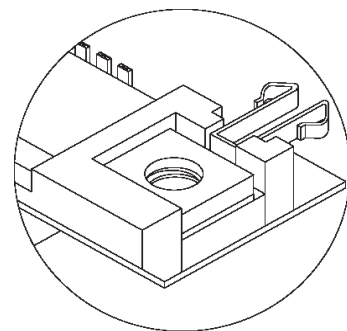
PCB Latch Type:
 V = Snap-in Contact

Colour of Insulator:
 No Mark = Black
 PC99 = Pantone 322C (9 pins only)

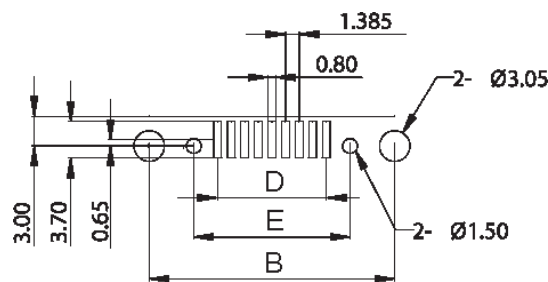
Outline Connector Dimensions



Snap-in Contact Type



Recommended PCB Layouts



Top View

Part Number	No. of Contacts	A	B	C	D	E
DSM-09P-G2-V-*	9	30.81	24.99	16.92	11.08	15.90
DSM-15P-G2-V-*	25	53.04	47.04	38.96	33.24	38.06

D Series (Standard D-Sub)

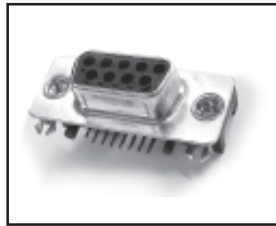
90° SMT Type (Female)

Specifications

Insulation Resistance: 1,000MΩ min.
 Withstanding Voltage: 500 V AC for 1 minute
 Contact Resistance: 13mΩ max.
 Current Rating: 5A
 Operating Temp. Range: -55°C to +105°C
 Soldering Temp.: 220°C / 60 sec., 250°C peak

Materials and Finish

Insulator: Nylon 6T (glass filled)
 Contacts: Phosphor Bronze
 Plating: Flash Au over Ni
 Sn over Ni

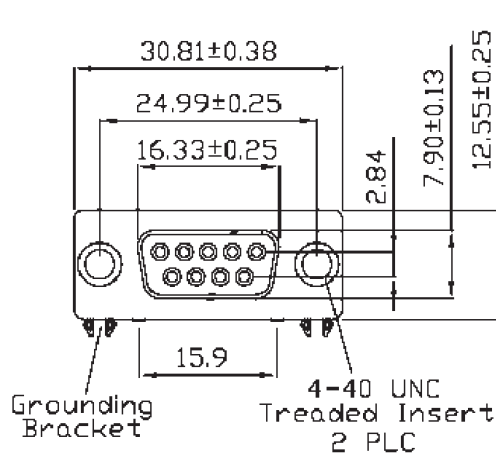


Part Number (Details)

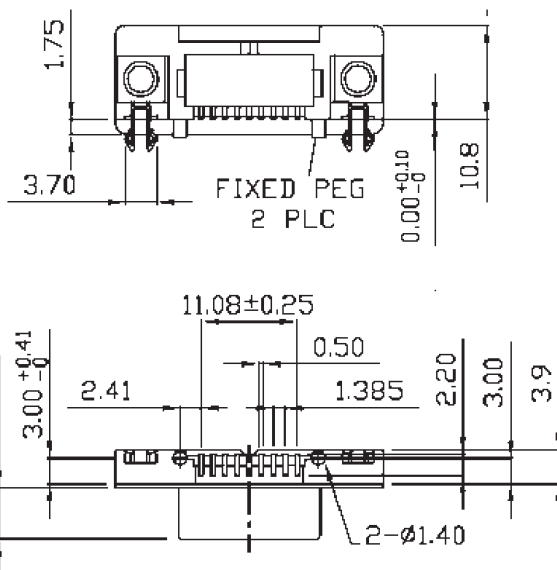
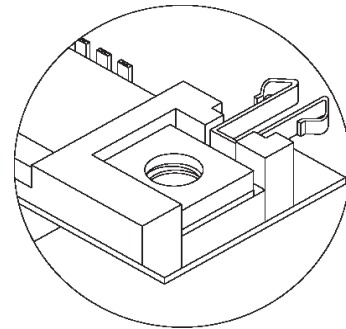
DSM - 09 S - G2 - V

Series	DSM
No. of Pins	09
S = Female	S
Contact Plating: G2 = Gold Flash	G2
PCB Latch Type: V = Snap-in Contacts	V

Outline Connector Dimensions



Snap-in Contact Type



Recommended PCB Layouts

