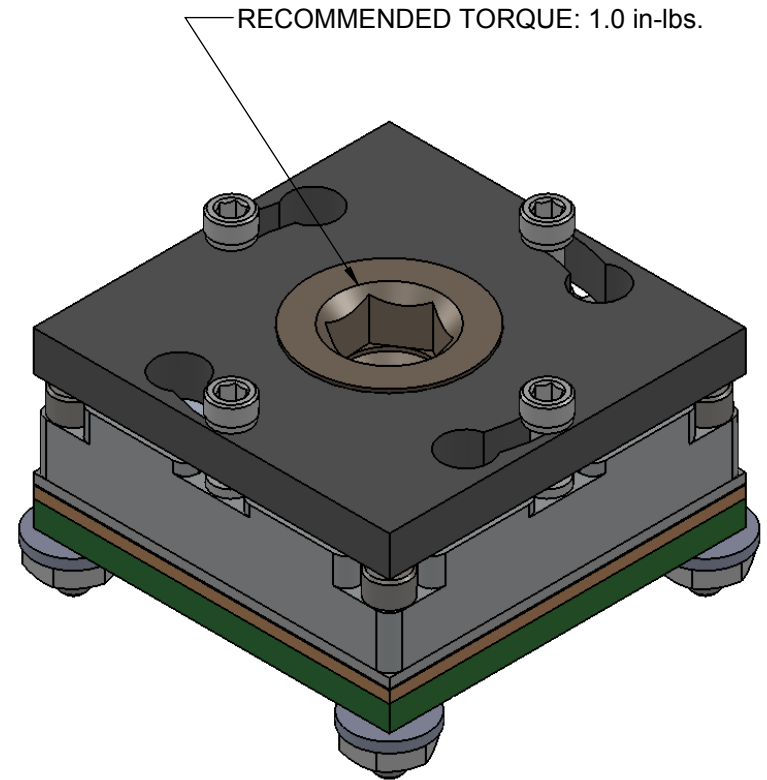
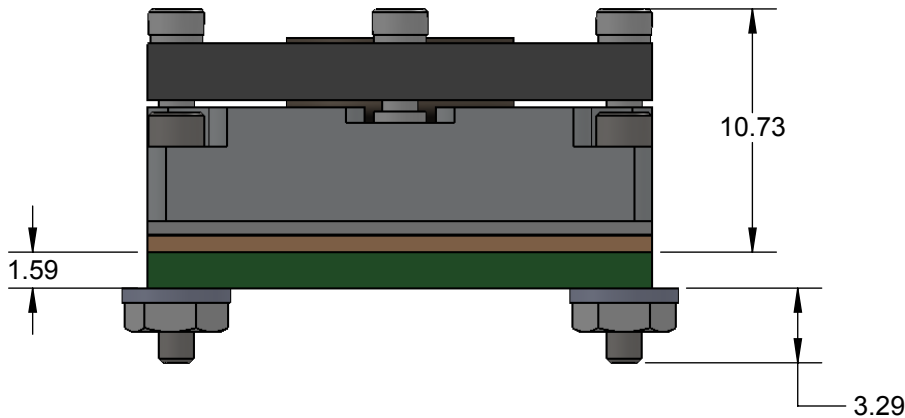
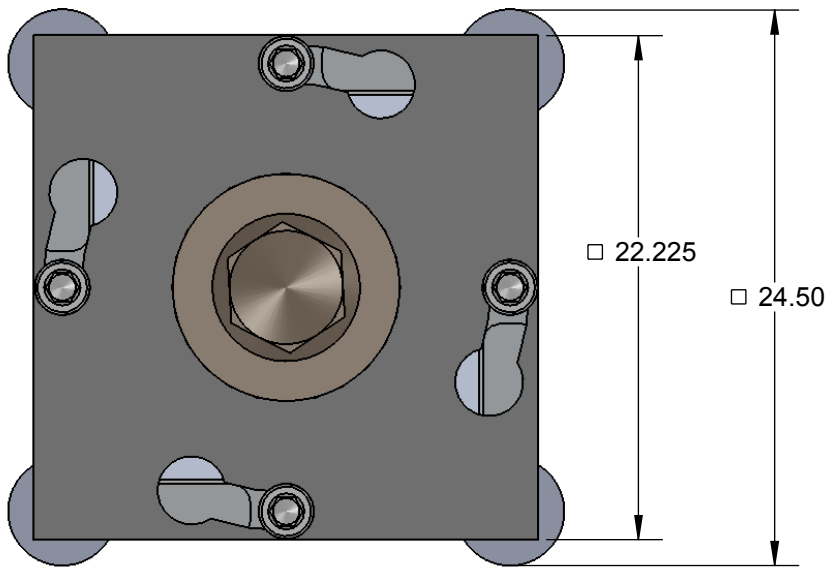


# GHz BGA Socket - Direct mount, solderless

## Features


- Directly mounts to target PCB (needs tooling holes) with hardware
- High speed, reliable Elastomer connection
- Minimum real estate required
- Compression plate distributes forces evenly
- Ball guide prevents over compression of elastomer
- Easily removable swivel socket lid

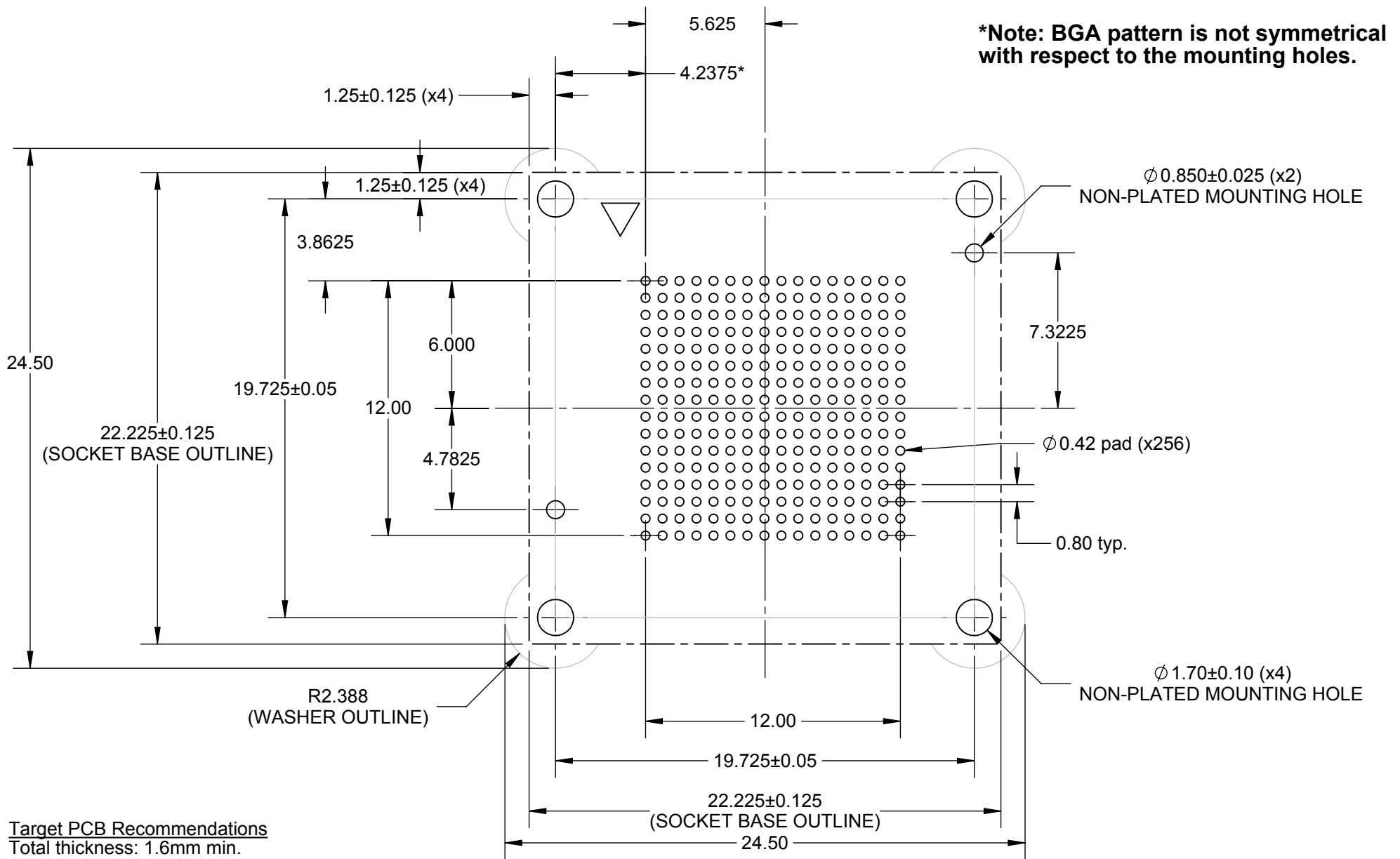


## Description: SG-BGA Socket for 0.8mm pitch, 16x16 array, 14mm Sq. DUT

Primary dimension units are millimeters, Secondary dimension units are [inches], Weight is in grams.

Tolerances: Hole diameters  $\pm 0.03\text{mm}$  [ $\pm 0.001''$ ], Pitches (from true position)  $\pm 0.025\text{mm}$  [ $\pm 0.001''$ ], substrate thickness tolerance  $\pm 10\%$ , all other tolerances  $\pm 0.13\text{mm}$  [ $\pm 0.005''$ ] unless stated otherwise. Materials and specifications are subject to change without notice.

 <b>SG-BGA-6416 Drawing</b> Ironwood Electronics, Inc. Tele: (800) 404-0204 www.ironwoodelectronics.com	Material: N/A Finish: N/A Weight: 11.49	STATUS: Released ENG: S. Faiz FILE: SG-BGA-6416	SHEET: 1 OF 4 DRAWN BY: S. Faiz DATE: 10/23/14	REV. A SCALE: 3:1




### Target PCB Recommendations

Total thickness: 1.6mm min.  
 Plating: Gold or Solder finish  
 PCB Pad height: Same or higher than solder mask

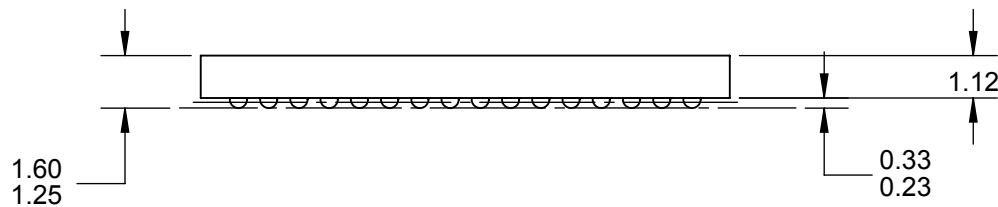
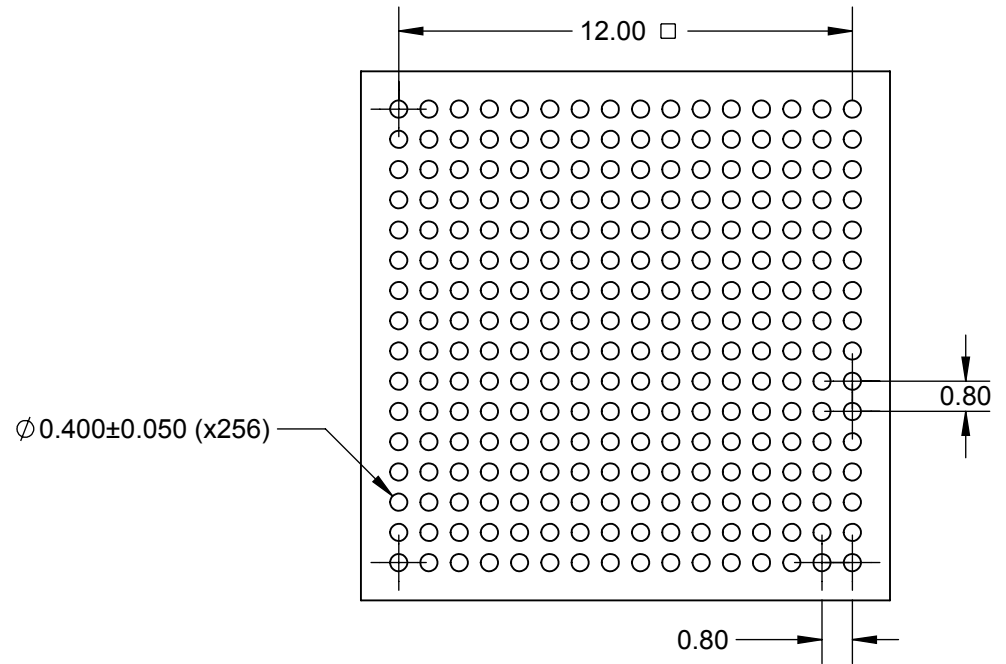
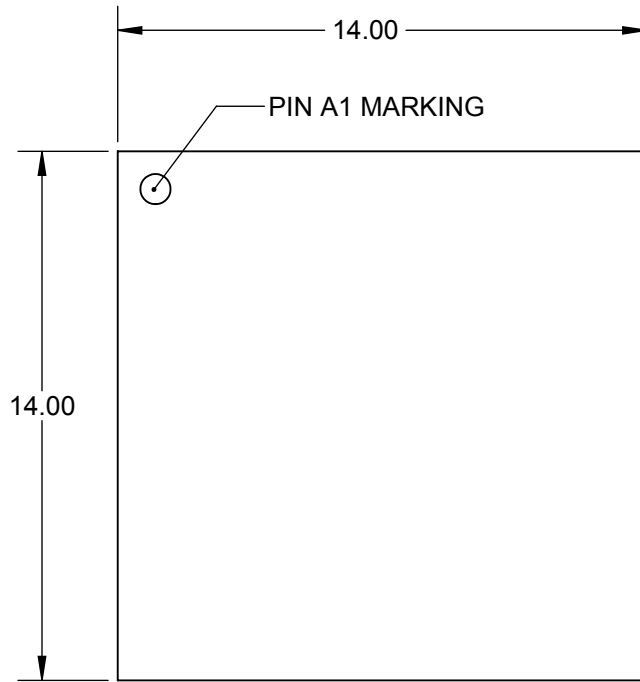
### Description: Recommended PCB Layout

Primary dimension units are millimeters, Secondary dimension units are [inches], Weight is in grams.

Tolerances: Hole diameters ±0.0254mm [±0.001"], Pitches (from true position) ±0.0762mm [±0.003"], substrate thickness tolerance ±10%, all other tolerances ±0.127mm [±0.005"] unless stated otherwise. Materials and specifications are subject to change without notice.

 <b>SG-BGA-6416 Drawing</b> Ironwood Electronics, Inc. Tele: (800) 404-0204 www.ironwoodelectronics.com	Material: N/A Finish: N/A Weight: 11.49	STATUS: Released ENG: S. Faiz FILE: SG-BGA-6416	SHEET: 2 OF 4 DRAWN BY: S. Faiz DATE: 10/23/14	REV. A SCALE: 4:1

# Ironwood Package Code: BGA256J




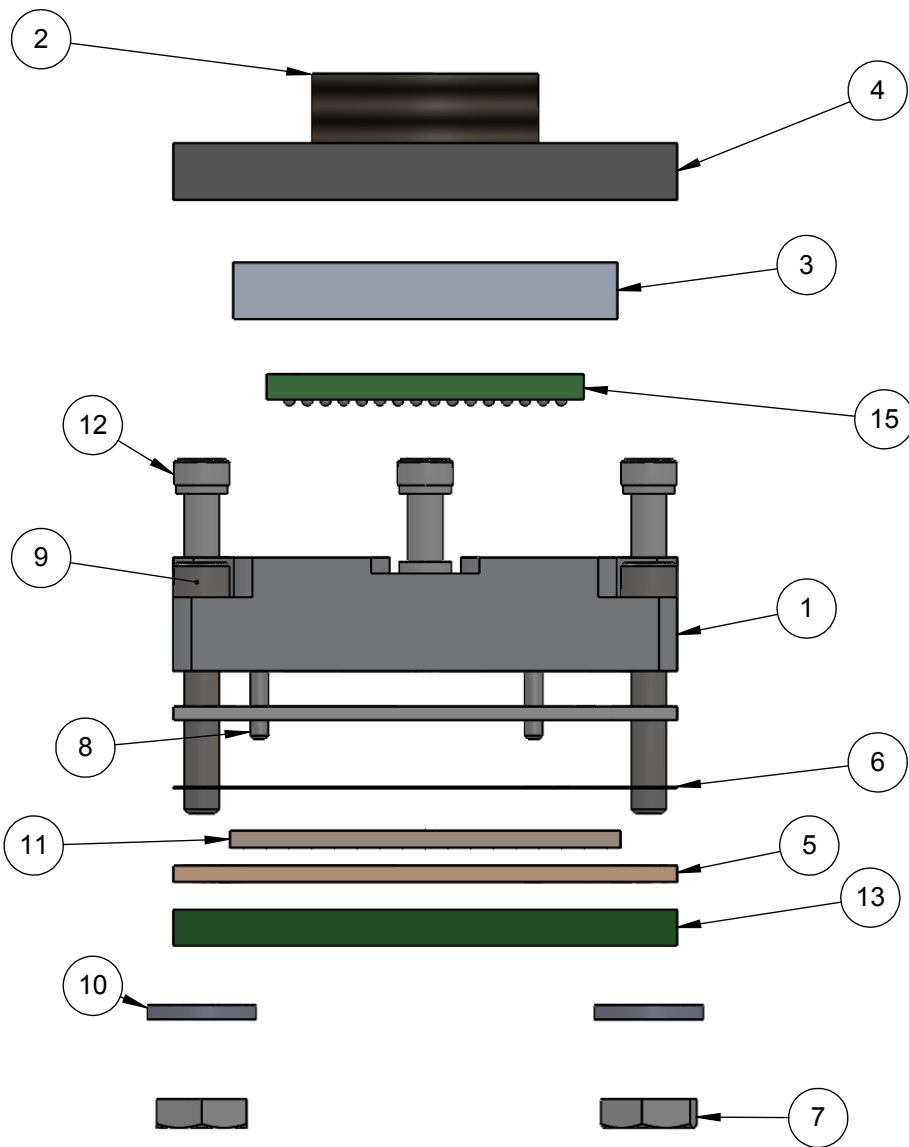
Dimensions are in millimeters.

## Description: Compatible BGA

Primary dimension units are millimeters, Secondary dimension units are [inches], Weight is in grams.

**Tolerances:** Hole diameters  $\pm 0.03\text{mm}$  [ $\pm 0.001"$ ], Pitches (from true position)  $\pm 0.025\text{mm}$  [ $\pm 0.001"$ ], substrate thickness tolerance  $\pm 10\%$ , all other tolerances  $\pm 0.13\text{mm}$  [ $\pm 0.005"$ ] unless stated otherwise. Materials and specifications are subject to change without notice.

 <b>SG-BGA-6416 Drawing</b> Ironwood Electronics, Inc. Tele: (800) 404-0204 www.ironwoodelectronics.com	Material: N/A Finish: N/A Weight: 11.49	STATUS: Released ENG: S. Faiz FILE: SG-BGA-6416	SHEET: 3 OF 4 DRAWN BY: S. Faiz DATE: 10/23/14	REV. A SCALE: 5:1




ITEM NO.	Description	Material
1	Socket Base SG 17mm IC 5mm Thk	7075-T6 (SN)
2	Compression Screw M10	7075-T6 Alumium Alloy
3	Compression Plate	7075-T6 Aluminum Alloy
4	Socket Lid	7075-T6 Aluminum Alloy
5	Elastomer Guide 17mm	Ultem 1000
6	Ball Guide	Kapton Polyimide/Cirlex
7	Nut, #0-80, SS	Stainless Steel (18-8)
8	Dowel Pin, 1/32" x 3/16", SS	Chrome Stainless Steel
9	#0-80 X .375 LG, SOC HD CAP SCREW, ALLOY STL, BLK OXIDE	Alloy Steel
10	Washer, #0 x .025", Nylon	Nylon 6/6
11	0.75mm thick 0.1mm pitch 63 deg angled elastomer	Silicon Rubber
12	#0-80 Shoulder Screw, 0.090" thread length	Stainless Steel (303)
13	Test PCB BGA256 14mm sq. 16x16 array 0.8mm pitch	Material <not specified>
14	IC Guide 14mm sq. DUT 1.6mm max. height	TECAPEEK CMF Ceramic filled
15	Test Chip 14mm sq. 16x16 array 0.8mm pitch BGA	FR4 High temp

## Description: Socket Assy

Primary dimension units are millimeters, Secondary dimension units are [inches], Weight is in grams.

**Tolerances:** Hole diameters  $\pm 0.03\text{mm}$  [ $\pm 0.001"$ ], Pitches (from true position)  $\pm 0.025\text{mm}$  [ $\pm 0.001"$ ], substrate thickness tolerance  $\pm 10\%$ , all other tolerances  $\pm 0.13\text{mm}$  [ $\pm 0.005"$ ] unless stated otherwise. Materials and specifications are subject to change without notice.

Rev	Date	Initials	Description
A	10/23/14	SF	Original

 <b>SG-BGA-6416 Drawing</b> Ironwood Electronics, Inc. Tele: (800) 404-0204 www.ironwoodelectronics.com	Material: N/A Finish: N/A Weight: 11.49	STATUS: Released ENG: S. Faiz FILE: SG-BGA-6416	SHEET: 4 OF 4 DRAWN BY: S. Faiz DATE: 10/23/14	REV. A SCALE: 3:1