
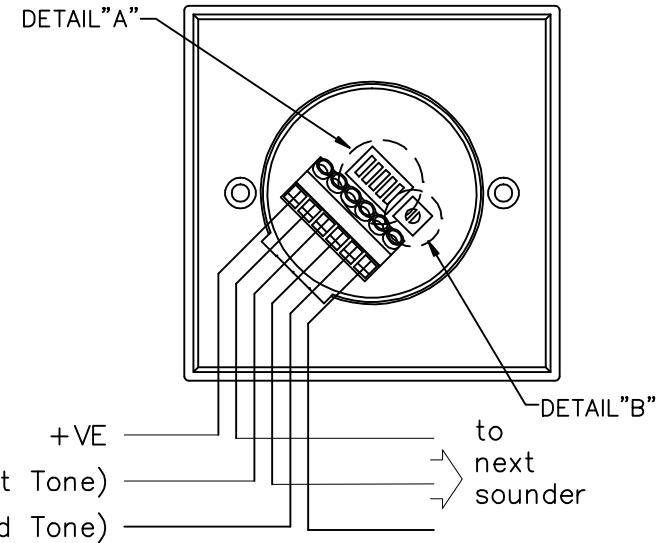
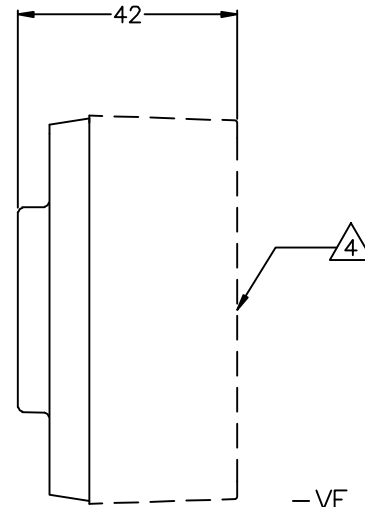
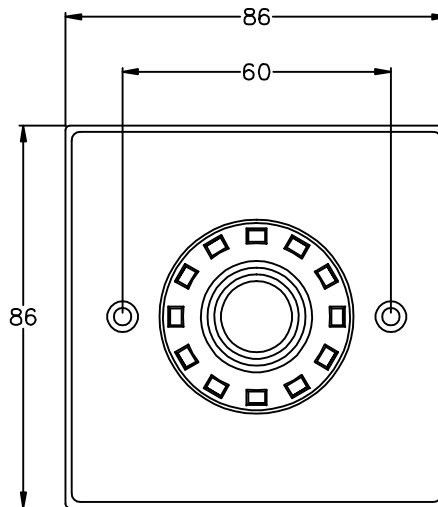
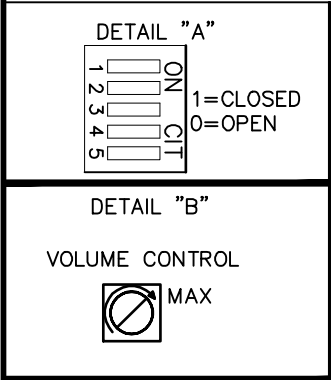


THIS DOCUMENT CONTAINS DATA PROPRIETARY TO PROJECTS UNLIMITED, INC. ANY USE OR REPRODUCTION, IN ANY FORM, WITHOUT PRIOR WRITTEN PERMISSION OF PROJECTS UNLIMITED, INC. IS PROHIBITED.
 ©2005, Projects Unlimited Inc.

SPECIFICATIONS

PARAMETERS	VALUES	UNITS
RATED VOLTAGE	24	Vdc
OPERATING VOLTAGE RANGE	9 ~ 28	Vdc
tone OUTPUT	SEE 32 TONE CHART	-
RATED CURRENT	18	mA
INGRESS PROTECTION	IP33 	-
COLOR	RED	-
OPERATING TEMPERATURE	-25 ~ +70	°C
HOUSING MATERIAL	ABS	-
TERMINAL	SCREW	-
WEIGHT	109	grams


REVISIONS			
LTR	DESCRIPTION	DATE	APPROVED
-	RELEASED FROM ENGINEERING	9/7/06	
A	ADDED RoHS & BASE NOTES	5/21/07	R.W.
B	REVISED DETAIL "A" DIL SWITCH	3/12/09	B.R.



NOTES:

- ALL DIMENSIONS ARE IN MILLIMETERS.
- SPECIFICATION SUBJECT TO CHANGE OR WITHDRAWAL WITHOUT NOTICE.
- THIS PART IS RoHS 2002/95/EC COMPLIANT.
- IP54 WITH BACK BOX.

FILE NAME
 AW-10CSR.DWG

UNLESS OTHERWISE SPECIFIED: DIMENSIONS ARE IN MILLIMETERS, TOLERANCES ARE ±0.5 AND ANGLES ARE ±3°.		 projects® unlimited Dayton, Ohio									
<table border="1"> <thead> <tr> <th>APPROVALS</th> <th>DATE</th> </tr> </thead> <tbody> <tr> <td>DRAWN <i>J.D.</i></td> <td>9/06</td> </tr> <tr> <td>CHECKED <i>R.W.</i></td> <td>9/06</td> </tr> <tr> <td>APPROVED <i>B.R.</i></td> <td>9/06</td> </tr> </tbody> </table>		APPROVALS	DATE	DRAWN <i>J.D.</i>	9/06	CHECKED <i>R.W.</i>	9/06	APPROVED <i>B.R.</i>	9/06	SIREN	
APPROVALS	DATE										
DRAWN <i>J.D.</i>	9/06										
CHECKED <i>R.W.</i>	9/06										
APPROVED <i>B.R.</i>	9/06										
SIZE A	DRAWING NO. AW-10CSR										
DO NOT SCALE DRAWING	SCALE: N.T.S.	SHEET 1 OF 1									