

Electrical Specifications

Corner Frequency

@ 0.5dB: 22MHz

@ 1.0dB: 25MHz

Passband Insertion Loss

≤ 0.5 dB from 1.5MHz to 22MHz

≤ 1.0 dB from 22MHz to 25MHz

Rejection: ≥ 40dB @ 30MHz

Ultimate Attenuation: ≥ 60dB from 35MHz to 90MHz

(Note: The Ultimate Attenuation shall be ≥ 60dB with VSWR up to 10: 1 on the filter output)

Return Loss

≥ 16dB from 1.5MHz to 5MHz

≥ 20dB from 5MHz to 25MHz

Power Handling: ≥ 200-W_{RMS}, including the transition band 25MHz – 30MHz

Z_{IN}/Z_{OUT}: 50Ω nominal

Package

Dimensions: Per Drawing

I/O Connectors: Coaxial 'N' Female Center Pin

Weight: ≤ 2.5Lbs

Environmental

Temperature Range

Operating: -40°C to +60°C

Storage: -45°C to +85°C

Altitude: Per MIL-STD-810, Method 500.3, Procedure I, II, and III. Test Altitude for Procedure III is 4570-meters @ 57.2kPa

Humidity: Per MIL-STD-810, Method 507.3, Procedure III

Salt Fog: Per MIL-STD-810, Method 509.3, Procedure I

Leakage (Immersion): Per MIL-STD-810, Method 512.3, Procedure I, 2-hours @ 1-meter

Vibration: Per MIL-STD-810, Method 514.4, Categories 1, 3 and 8 (Table 514.4-AIII)

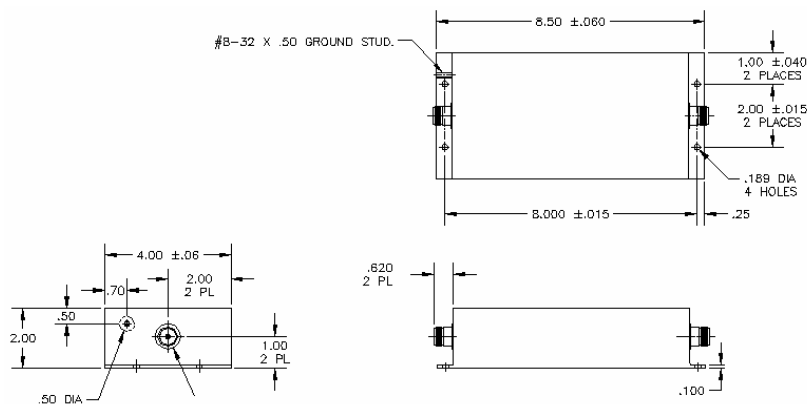
Shock: Per MIL-STD-810, Method 516.4, Procedure I, V, and VI

Thermal Shock: Per MIL-STD-810, Method 503.3, Low Temperature -51°C and High Temperature +48°C

Solar Radiation: Per MIL-STD-810, Method 505.3, Procedure I, Hot-Dry Temperature Conditions (Table 505.3-1)

Rain: Per MIL-STD-810, Method 506.3, Procedure I

Ice and Freezing Rain: Per MIL-STD-810, Method 521.1



Revised: April 22, 2010

The information contained herein is proprietary to MtronPTI and is submitted in confidence. This information may not be copied or divulged without the express written permission of MtronPTI