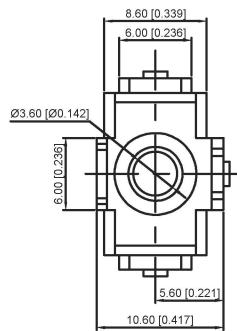
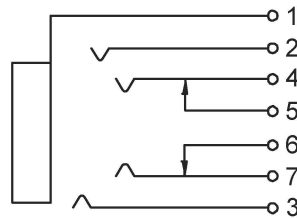
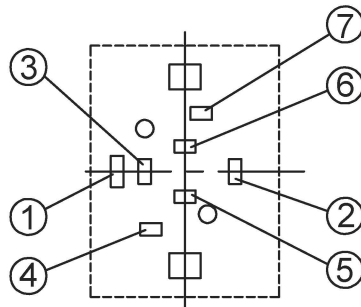


Copper set
PJ-3340-2



PJ-3340-1



	MATERIAL	PLATING
terminal 1	Phosphor Bronze	tin
terminal 2	Phosphor Bronze	tin
terminal 3	Phosphor Bronze	tin
terminal 4	Phosphor Bronze	tin
terminal 5	Brass	tin
terminal 6	Brass	tin
terminal 7	Phosphor Bronze	tin
plastic	Pbt	

广东星坤科技股份有限公司

生效日期

MARK DESCRIPTION

文件工程章

REVISIONS

www.helloxkb.com www.helloxkb.com www.helloxkb.com

DATE REVISED APPROVED

UNSPECIFIED TOLERANCES

ANGLAR ±5°
L ≤ 4 ±0.2
4 < L ≤ 16 ±0.3
16 < L ≤ 63 ±0.4
L > 63 ±0.5

DSND		DATE		SCALE: N/A	MODEL TYPE: 3.5 PHONE JACK
DWN		DATE		VIEW:	PART NO.:
CHKD		DATE		UNIT: mm/in	DWG NO.: PJ-3340-X
APPD		DATE		SIZE: A4	
XKB INDUSTRIAL PRECISION CO., LIMITED				WEIGHT	SHEET
				1.0g	1/1
				REVISION	A0