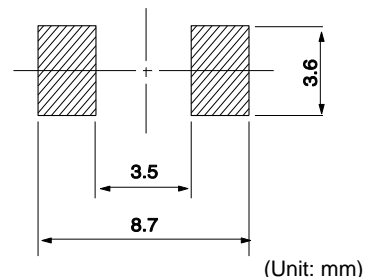
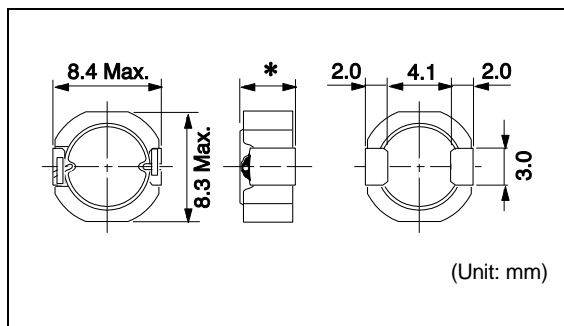


DS85LCB

Inductance Range: 1.0~100μH


Recommended patterns
 推奨パターン図


*:DS85LCB; 5.0mm Max.

FEATURES 特長

- 8.4 × 8.3mm Max. square, 5.0mm Max. height).
- Magnetically shielded construction and low DC resistance.
- Suitable for large currents.
- 8.4 × 8.3mm角Max. 高さ5.0 mm Max.
- 閉磁路構造、低直流抵抗
- 大電流対応

STANDARD PART NUMBERS 標準品一覧
TYPE DS85LCB (Quantity/reel; 500 PCS)

| 品番 | インダクタンス ⁽¹⁾ | 許容差 | 直流抵抗 ⁽²⁾ | 直流重畳許容電流 ⁽³⁾ | | 温度上昇許容電流 ⁽³⁾ |
|-----------------|-----------------------------------|---------------|--|---|-----------------------------|---|
| Part Number | Inductance ⁽¹⁾ (μH) | Tolerance (%) | DC Resistance ⁽²⁾ (mΩ) Max. (Typ.) | Inductance Decrease Current ⁽³⁾ (A) Max. (Typ.) | | Temperature Rise Current ⁽³⁾ ΔT=40°C (A) Max. (Typ.) |
| | | | | $\frac{\Delta L}{L} = 10\%$ | $\frac{\Delta L}{L} = 30\%$ | |
| B1135AS-1R0N=P3 | 1.0 | ±30 | 9.6 (8.0) | 7.8 (10.4) | 10.1 (13.4) | 8.5 (10.0) |
| B1135AS-1R5N=P3 | 1.5 | ±30 | 11 (9.3) | 6.3 (8.4) | 8.3 (11.0) | 7.6 (9.0) |
| B1135AS-2R2N=P3 | 2.2 | ±30 | 13 (11) | 5.5 (7.3) | 7.1 (9.5) | 7.3 (8.6) |
| B1135AS-2R7N=P3 | 2.7 | ±30 | 14 (12) | 4.7 (6.3) | 6.2 (8.3) | 6.5 (7.6) |
| B1135AS-3R6N=P3 | 3.6 | ±30 | 17 (14) | 4.2 (5.6) | 5.6 (7.4) | 5.5 (6.5) |
| B1135AS-4R7N=P3 | 4.7 | ±30 | 21 (17) | 3.7 (5.0) | 4.9 (6.6) | 5.1 (6.0) |
| B1135AS-6R8N=P3 | 6.8 | ±30 | 29 (25) | 3.1 (4.1) | 4.1 (5.4) | 4.0 (4.7) |
| B1135AS-100M=P3 | 10 | ±20 | 45 (38) | 2.4 (3.2) | 3.2 (4.3) | 3.3 (3.8) |
| B1135AS-150M=P3 | 15 | ±20 | 64 (53) | 2.0 (2.7) | 2.6 (3.5) | 2.5 (2.9) |
| B1135AS-220M=P3 | 22 | ±20 | 84 (70) | 1.7 (2.3) | 2.2 (3.0) | 2.3 (2.7) |
| B1135AS-330M=P3 | 33 | ±20 | 110 (90) | 1.4 (1.9) | 1.8 (2.4) | 1.9 (2.3) |
| B1135AS-470M=P3 | 47 | ±20 | 150 (125) | 1.2 (1.6) | 1.5 (2.1) | 1.6 (1.9) |
| B1135AS-680M=P3 | 68 | ±20 | 235 (195) | 0.97 (1.3) | 1.3 (1.7) | 1.3 (1.5) |
| B1135AS-101M=P3 | 100 | ±20 | 330 (275) | 0.79 (1.1) | 1.1 (1.4) | 1.1 (1.3) |

(1) Inductance is measured with a LCR meter 4284A (Agilent Technologies) or equivalent.
Test frequency at 100kHz

(2) DC resistance is measured with 34420A (Agilent Technologies) or 3541 (HIOKI). (Reference ambient temperature 25°C)

(3) Maximum allowable DC current is that which causes a 10% inductance reduction from the initial value, or coil temperature to rise by 40°C, whichever is smaller. (Reference ambient temperature 20°C)

(1) インダクタンスはLCRメータ4284A (Agilent Technologies) または同等品により測定する。
測定周波数は100kHz。

(2) 直流抵抗は測定器34420A (Agilent Technologies) または3541 (HIOKI) と同等品により測定する。(周囲温度25°C)

(3) 最大許容電流は、直流重畳電流を流した時インダクタンスの値が初期値より10%減少する直流電流値、または直流電流により、コイルの温度が40°C上昇の何れか小さい値。(周囲温度20°Cを基準とする。)