

## INTERNAL PASSIVE PATCH ANTENNA

Page 1 of 3

RST-GPS-1515-2

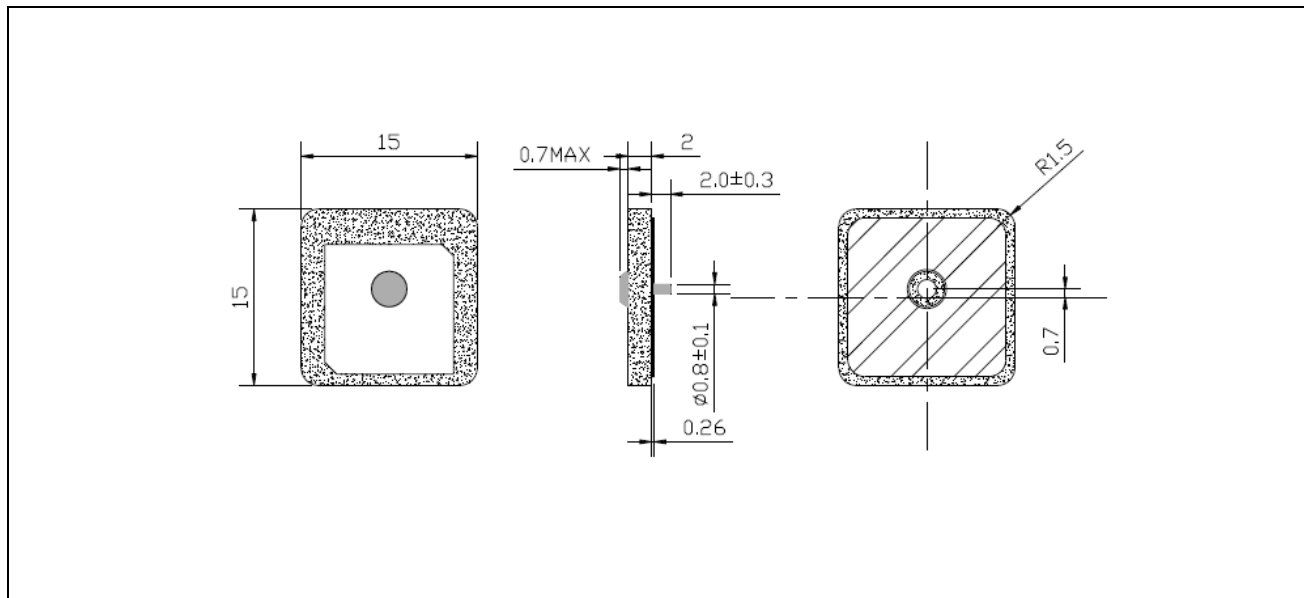
### ■ SPECIFICATIONS

PARAMETER	VALUE
Frequency Range	GPS: 1575.42
Bandwidth	± 5 MHz
Return Loss, max	-10 dB
Output VSWR, max	1.5
Impedance	50 Ω
Gain, typical	0 dB
Axial Ratio, max	5 dB
Polarization	RHCP

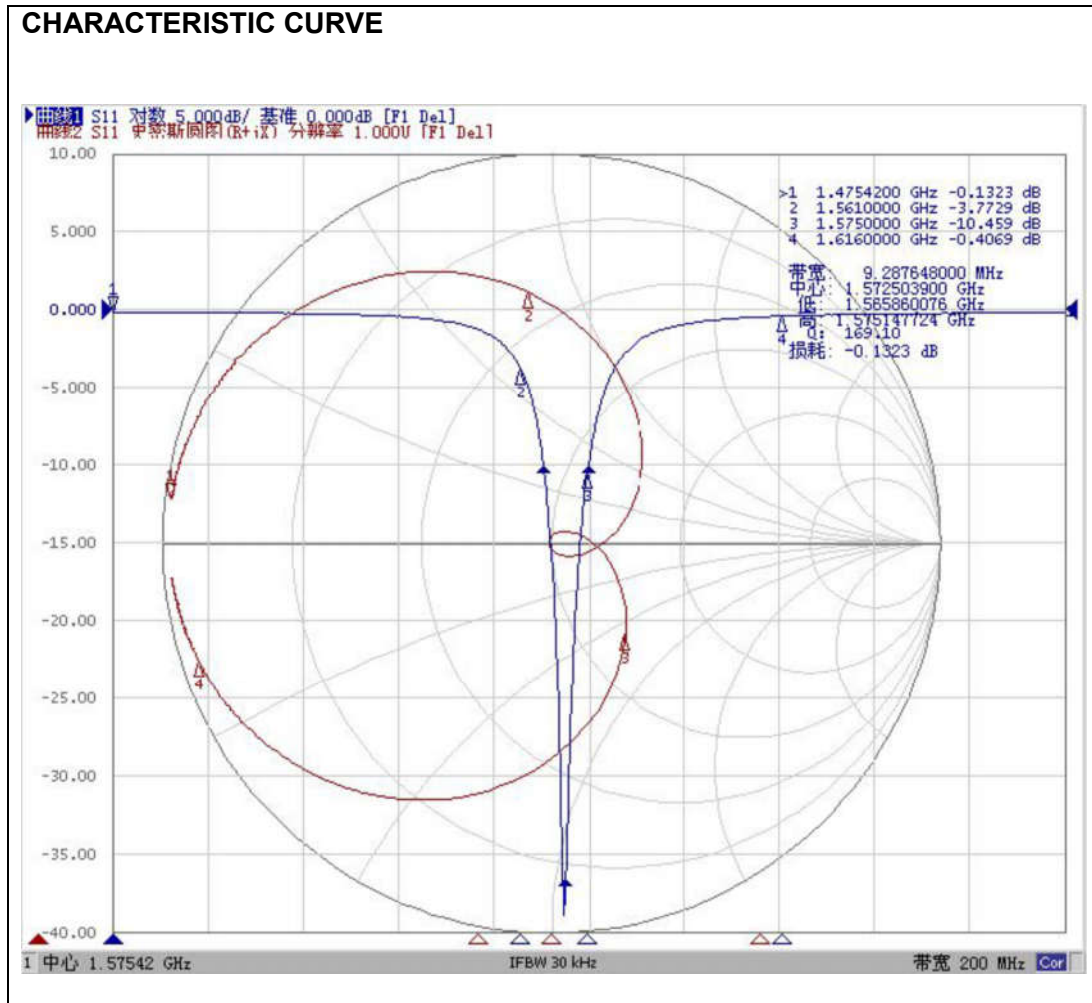


Photo is not of actual part

### ■ MECHANICAL SPECIFICATIONS



#### ELECTRICAL CHARACTERISTICS



**■ ENVIRONMENTAL SPECIFICATIONS**

PARAMETER	VALUE
Operating Temperature Range	-40 to +85°C
Storage Temperature Range	-55 to +85°C
Humidity	55% to 75% RH

May, 2016