



249 Series LED Panel Mount Indicators for 3/8" Mounting Hole



FEATURES / BENEFITS

- ▲ RoHS Compliant
- ▲ Long life – typically 100K hours
- ▲ Low power consumption – uses up to 90% less energy than an incandescent indicator
- ▲ Front or rear panel mounting
- ▲ Available in either cylindrical or stovepipe lens, unique internal fresnel design provides uniform illumination
- ▲ Aluminum black anodized housing enhances contrast
- ▲ No heat generate
- ▲ Resistant to shock and vibration
- ▲ Colors include – red, green, yellow and blue
- ▲ Polarity indication by terminal (+) denotes anode

APPLICATIONS

Dialight's 249 series LED panel mount indicator is available with a variety of LEDs as well as neon for 120 VAC operation. Typical applications for the 249 series include:

- Main and remote power indication
- Maintenance and warning indication
- Process Control
- Status indication
- Instrumentation
-and many more!

SPECIFICATIONS

- ▲ Voltage requirements: 3.6, 5, 10, 14 and 28 VDC*
(No current limiting resistor required)
- ▲ Electrical connection: Turret terminals for wire wrapping
- ▲ Mounting hole size: 0.375" (9.53 mm)
- ▲ Operating temperature: -20° to +71°C
- ▲ Storage temperature: -40° to +71°C
- ▲ Max Panel thickness: 0.312" (7.92 mm)
- ▲ Mounts with knurled flange nut, lock washer and nut.
(8-10 in-lbs torque)

* Dialight recommends tolerance of 5% of specified voltage range

STOVEPIPE LENS

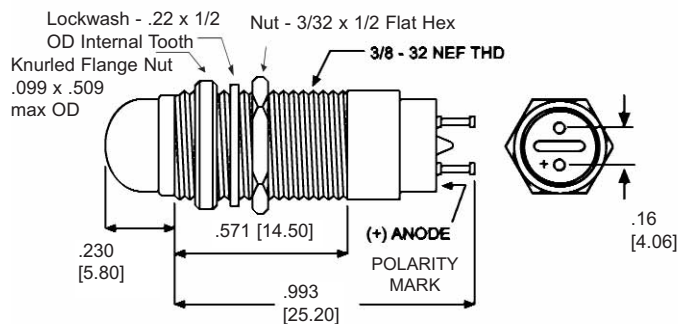


Figure 1

CYLINDRICAL LENS 1

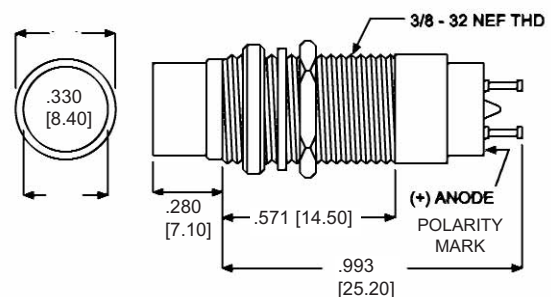


Figure 2

NOTES:

1. Dimensions in inches [mm]
2. All measurements are typical
3. Hardware includes knurled ring, lock washer & hex nut

1. Cylindrical lens will provide wider viewing angle.



MATERIALS / FINISH

| Description | Material | Finish |
|--------------------|-----------------|---------------------|
| Mounting Body | Aluminum | Black Anodize |
| Terminals | Phosphor Bronze | Fused Tin |
| Knurled Flange Nut | Aluminum | Black Anodize |
| Lock Washer | Phosphor Bronze | White Nickel Plated |
| Nut | Brass | White Nickel Plated |

STOVEPIPE CAP

CYLINDRICAL CAP

| PART NUMBER | COLOR | VOLTAGE (VDC)* | CURRENT (mA) | INTENSITY TYP (mcd) | FIGURE |
|--------------------|--------|----------------|--------------|---------------------|--------|
| 249-4162-3734-504F | Blue | 3.5** | 10 | 1500 | 1 |
| 249-7867-3731-504F | Red | 3.6 | 20 | 170 | 1 |
| 249-7967-3732-504F | Green | 3.6 | 20 | 100 | 1 |
| 249-8067-3733-504F | Yellow | 3.6 | 20 | 150 | 1 |
| 249-4164-3734-504F | Blue | 5 | 10 | 1500 | 1 |
| 249-7868-3731-504F | Red | 5 | 20 | 170 | 1 |
| 249-7968-3732-504F | Green | 5 | 20 | 100 | 1 |
| 249-8068-3733-504F | Yellow | 5 | 20 | 150 | 1 |
| 249-4166-3734-504F | Blue | 10 | 10 | 1500 | 1 |
| 249-7870-3731-504F | Red | 10 | 20 | 170 | 1 |
| 249-7970-3732-504F | Green | 10 | 20 | 100 | 1 |
| 249-8070-3733-504F | Yellow | 10 | 20 | 150 | 1 |
| 249-4167-3734-504F | Blue | 14 | 10 | 1500 | 1 |
| 249-7871-3731-504F | Red | 14 | 20 | 170 | 1 |
| 249-7971-3732-504F | Green | 14 | 20 | 100 | 1 |
| 249-8071-3733-504F | Yellow | 14 | 20 | 150 | 1 |
| 249-4168-3734-504F | Blue | 28 | 10 | 1500 | 1 |
| 249-7872-3731-504F | Red | 28 | 20 | 170 | 1 |
| 249-7972-3732-504F | Green | 28 | 20 | 100 | 1 |
| 249-8072-3733-504F | Yellow | 28 | 20 | 150 | 1 |

| PART NUMBER | COLOR | VOLTAGE (VDC)* | CURRENT (mA) | INTENSITY TYP (mcd) | FIGURE |
|--------------------|--------|----------------|--------------|---------------------|--------|
| 249-4162-3334-504F | Blue | 3.5** | 10 | 700 | 2 |
| 249-7867-3331-504F | Red | 3.6 | 20 | 55 | 2 |
| 249-7967-3332-504F | Green | 3.6 | 20 | 40 | 2 |
| 249-8067-3333-504F | Yellow | 3.6 | 20 | 75 | 2 |
| 249-4164-3334-504F | Blue | 5 | 10 | 700 | 2 |
| 249-7868-3331-504F | Red | 5 | 20 | 55 | 2 |
| 249-7968-3332-504F | Green | 5 | 20 | 40 | 2 |
| 249-8068-3333-504F | Yellow | 5 | 20 | 75 | 2 |
| 249-4166-3334-504F | Blue | 10 | 10 | 700 | 2 |
| 249-7870-3331-504F | Red | 10 | 20 | 55 | 2 |
| 249-7970-3332-504F | Green | 10 | 20 | 40 | 2 |
| 249-8070-3333-504F | Yellow | 10 | 20 | 75 | 2 |
| 249-4167-3334-504F | Blue | 14 | 10 | 700 | 2 |
| 249-7871-3331-504F | Red | 14 | 20 | 55 | 2 |
| 249-7971-3332-504F | Green | 14 | 20 | 40 | 2 |
| 249-8071-3333-504F | Yellow | 14 | 20 | 75 | 2 |
| 249-4168-3334-504F | Blue | 28 | 10 | 700 | 2 |
| 249-7872-3331-504F | Red | 28 | 20 | 55 | 2 |
| 249-7972-3332-504F | Green | 28 | 20 | 40 | 2 |
| 249-8072-3333-504F | Yellow | 28 | 20 | 75 | 2 |

* Dialight recommends tolerance of 5% of specified voltage range

** VF typical - Requires current limiting resistor



Dialight reserves the right to make changes at any time in order to supply the best product possible.

The most current version of this document will always be available at:

www.dialight.com/Assets/Brochures_And_Catalogs/Indication/MDEL249X001.pdf