

NOTES:

MATERIAL

- 1. Insulator Material: PBT+30%G.F., (UL94V-0), Grey
- 2. Contact Material : Brass
- 3. Contact Plating : 1u" Au selective Over Ni

ELECTRICAL

- 1. Current Rating : 3.0 AMP
- 2. Withstand Voltage : 1000V AC/minute
- 3. Contact Resistance : 20mΩ max
- 4. Insulation Resistance: 1000MΩ min

ENVIRONMENTAL

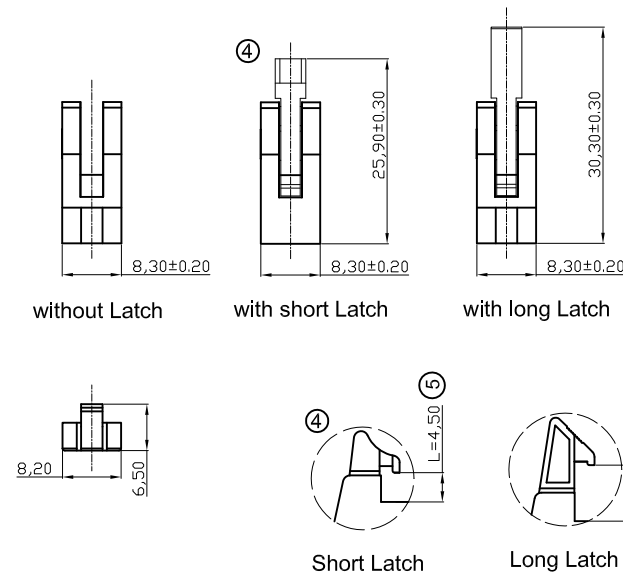
- 1. Operation Temperature: -40°C to +105°C
- 2. Packing : Tray
- 3. 10P~18P with slot "M" without slot "N"
- 20P-64P with slot "M" and "N"

Ordering Information

AWH xxG-E2x2-IDC

No. of Contacts :
10, 14, 16, 20, 26,
30, 34, 40, 50, 60, 64

Latch Type
0 -without latch
2 -with short latches
3 -with long latches



RoHS compliant
Unit: mm



DIM	TOL	Id.	Modification	Date	Name
Scale	Free	⑥	Add UL file no.	12.12.2013	Amy
TOLERANCE		⑤	Update	03.04.2013	Winnie
X.X	±0.40	④	Correct drawing of short latch	05.05.2010	Dean
X.XX	±0.25	③	Modify dimension from 7.65 to 7.85	03.11.2009	Dean
X.XXX	±0.15	②	Increase right view Modification dimensions	16.02.2009	Dean
ANGLE	±3°	①	Drawn	29.05.2006	Hellwig



Date	Name	Customer-No.
29.05.2006	Hellwig	
12.12.2013	Amy	ASSMANN WSW-No. AWH xxG-E2x2-IDC
		Drawing-No. ASS 0532 CO
		rev06
		Replace
		Sheet