

SHINDENGEN

Super Fast Recovery Rectifiers

Single

D10L20U

200V 10A

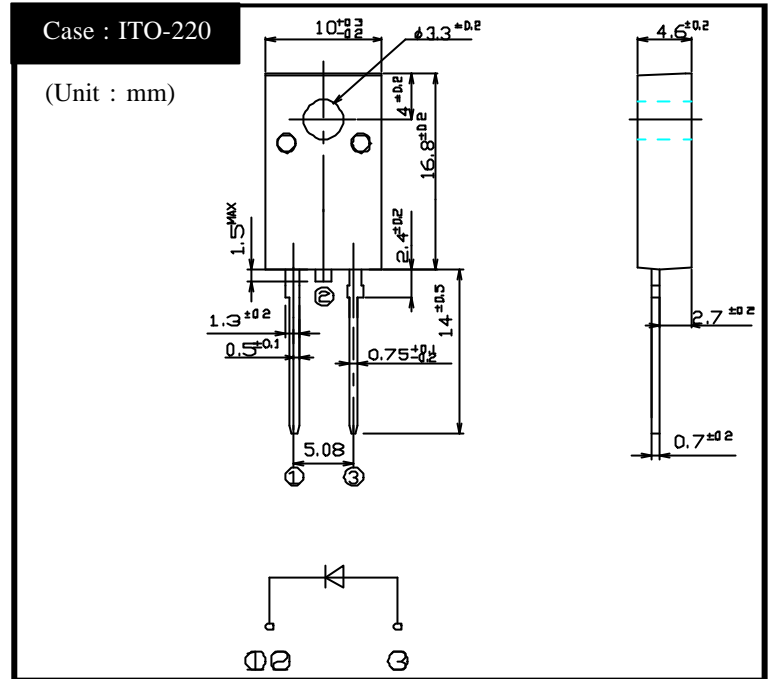
FEATURES

- Low noise
- trr35ns
- Fully Isolated Molding

APPLICATION

- Switching power supply
- Free Wheel
- Home Appliances, Office Equipment
- Telecommunication, Factory Automation

OUTLINE DIMENSIONS



RATINGS

Absolute Maximum Ratings (If not specified Tc=25)

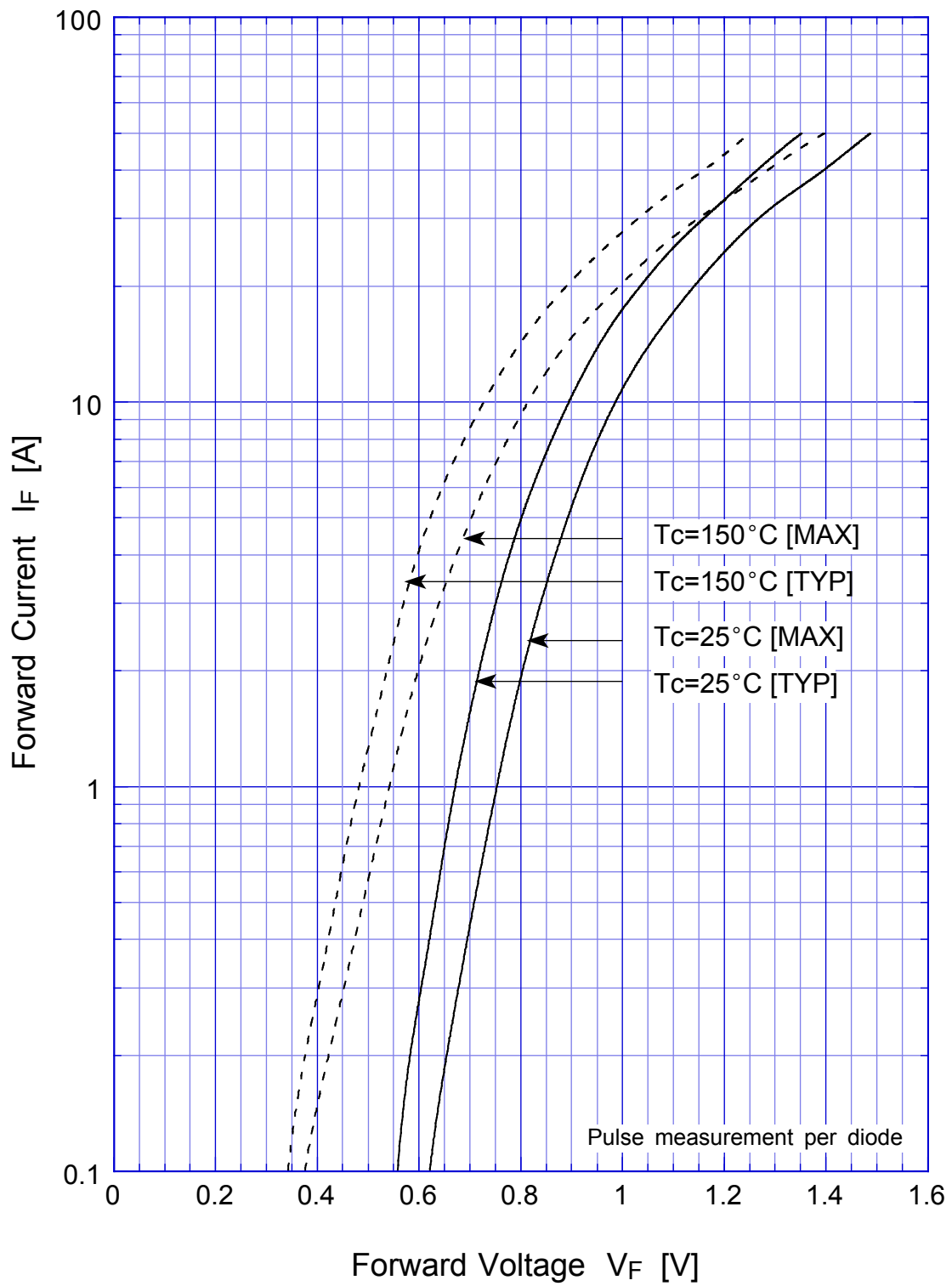
Item	Symbol	Conditions	Ratings	Unit
Storage Temperature	Tstg		-40 ~ 150	
Operating Junction Temperature	Tj		150	
Maximum Reverse Voltage	V _{RM}		200	V
Average Rectified Forward Current	I _o	50Hz sine wave, R-load, Tc=111	10	A
Peak Surge Forward Current	I _{FSM}	50Hz sine wave, Non-repetitive 1 cycle peak value, Tj=25	120	A
Dielectric Strength	V _{dis}	Terminals to case, AC 1 minute	1.5	kV
Mounting Torque	TOR	(Recommended torque 0.3N·m)	0.5	N·m

Electrical Characteristics (If not specified Tc=25)

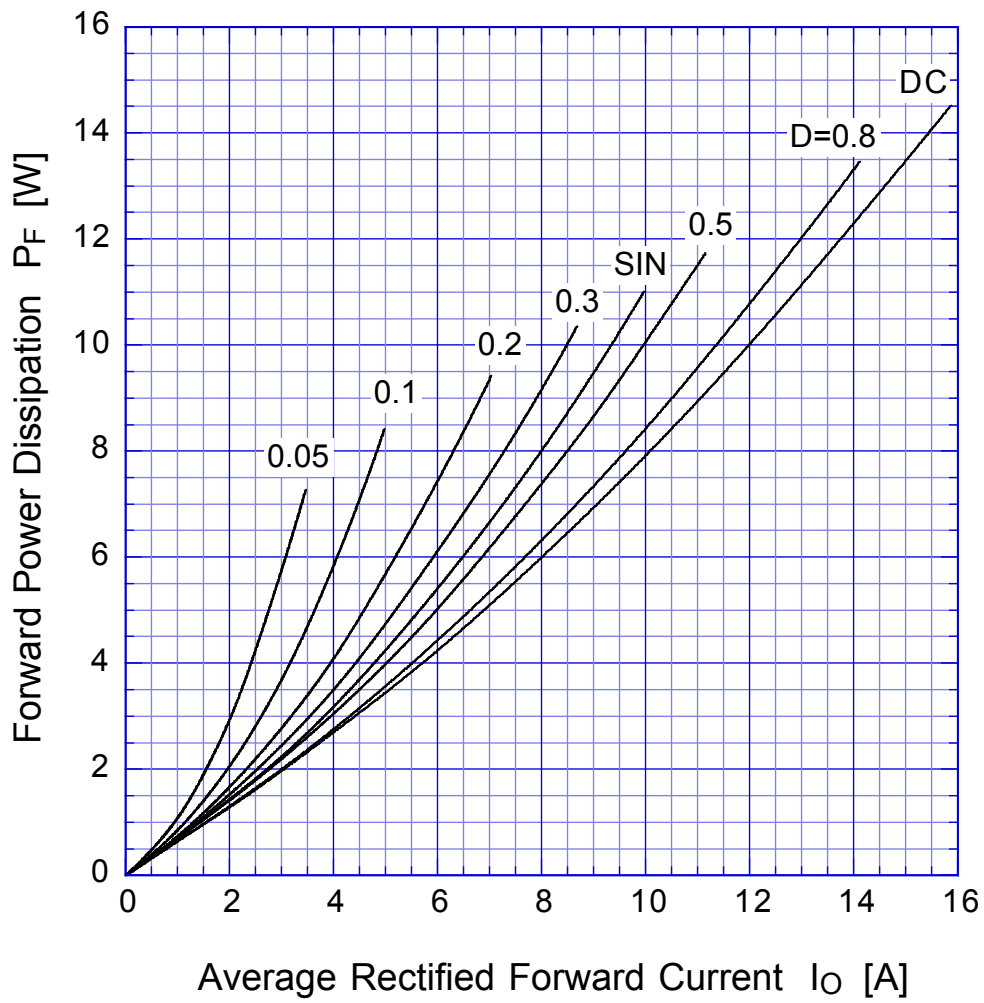
Item	Symbol	Conditions	Ratings	Unit
Forward Voltage	V _F	I _F =10A, Pulse measurement	Max.0.98	V
Reverse Current	I _R	V _R =200V, Pulse measurement	Max.10	μA
Reverse Recovery Time	t _{rr}	I _F =0.5A, I _R =1A	Max.35	ns
Thermal Resistance	θ _{JC}	junction to case	Max.3.5	/W

D10L20U

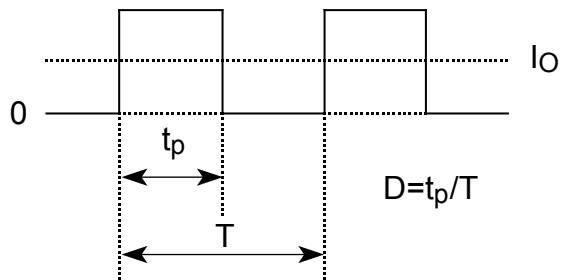
Forward Voltage



D10L20U Forward Power Dissipation

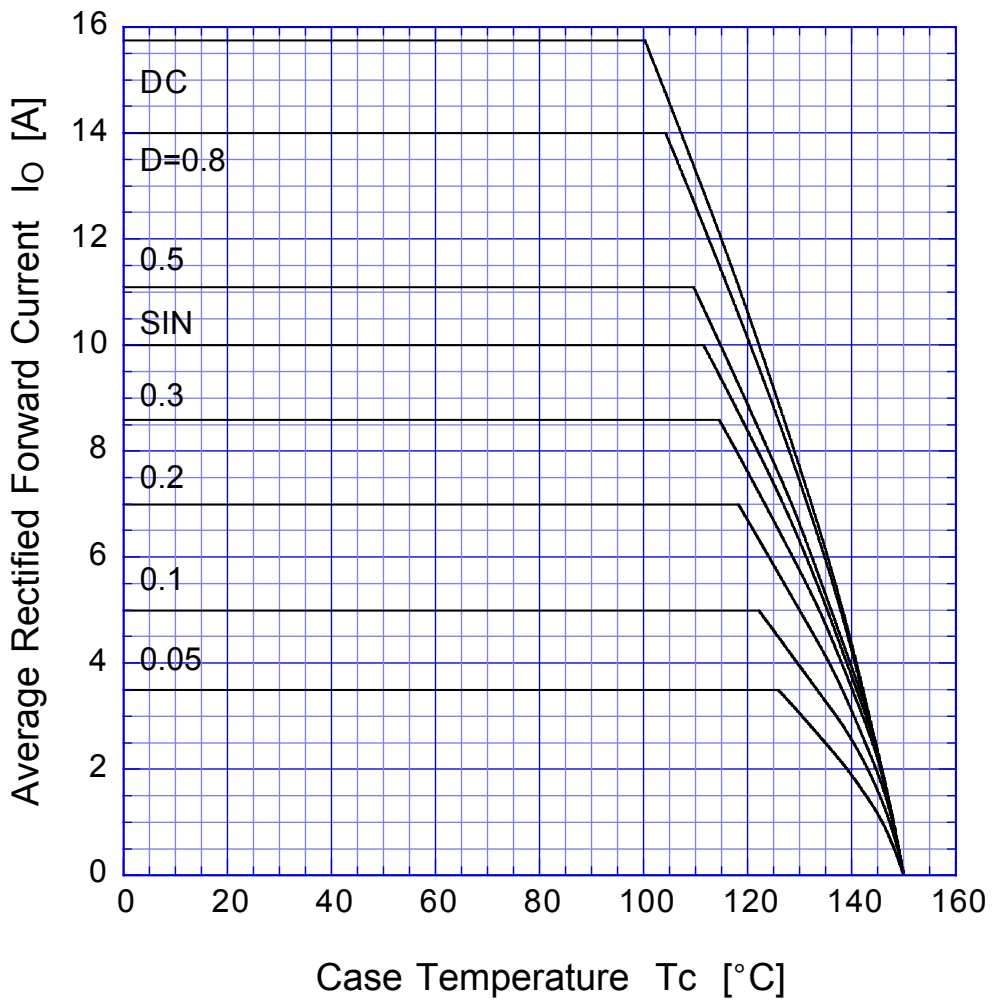


$T_j = T_{jmax}$

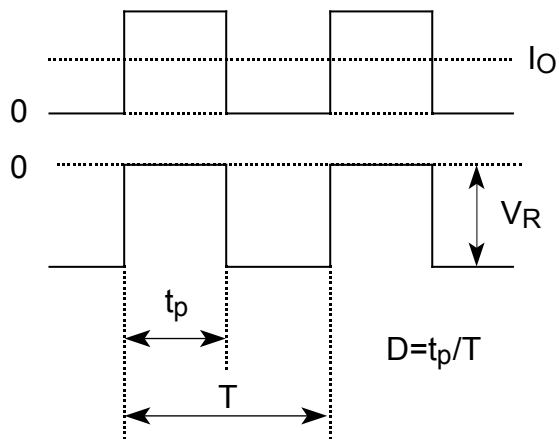


D10L20U

Derating Curve

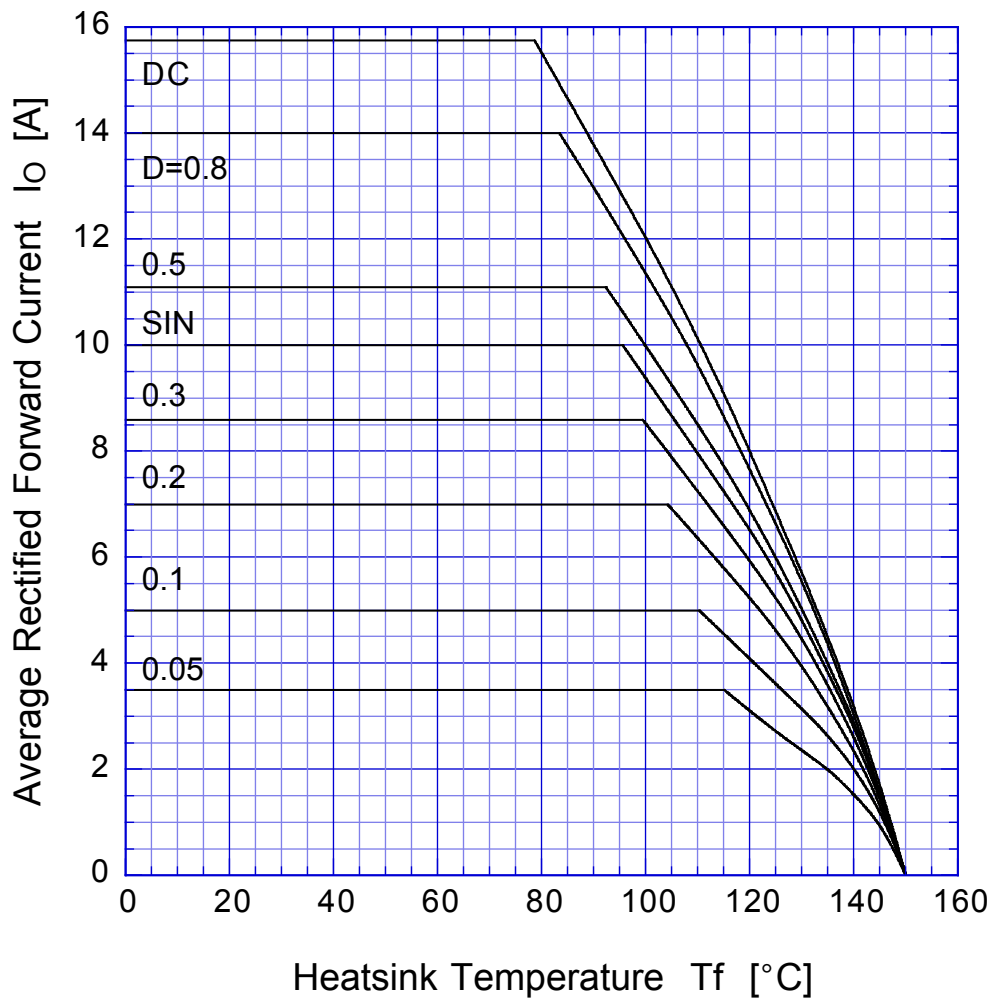


$$V_R = V_{RM}$$



D10L20U

Derating Curve

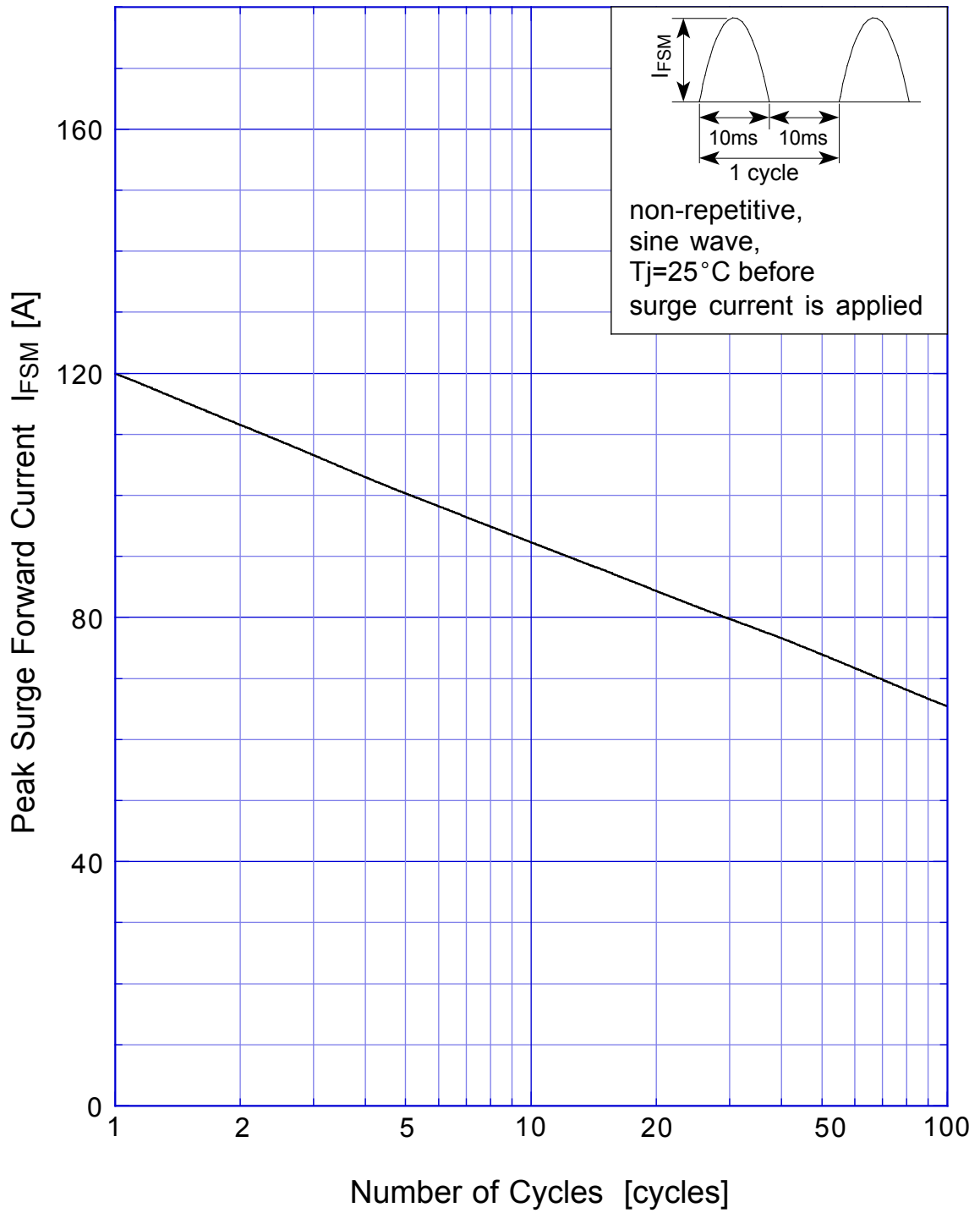


$$V_R = V_{RM}$$



D10L20U

Peak Surge Forward Capability



D10L20U Junction Capacitance

