

OV10650 HDR product brief



available in
a lead-free
package

High-Performance Automotive Image Sensor with 2:1 Aspect Ratio and 120 dB Dynamic Range

OmniVision's OV10650 is the industry's first 1.7-megapixel automotive image sensor with a 2:1 aspect ratio and 120 dB of dynamic range. The OV10650 can be paired with OmniVision's OV491 and OV495 image signal processing companion chips to deliver exceptional image quality.

Built on OmniVision's 4.2-micron OmniBSI™ split-pixel technology, the OV10650 captures high-quality color video in 1820 x 940 resolution at up to 60 frames per second (fps), while providing excellent high dynamic range and best-in-class low-light performance.

The OV10650 contains an advanced set of safety mechanisms built to enable ISO 26262 ASIL B-rated camera systems. The sensor is available in an AEC-Q100 Grade 2-qualified 9.5 x 6.8 mm chip-scale package.

Find out more at www.ovt.com.



Applications

- Automotive
 - 360° surround view system
 - rear view camera
 - lane departure warning / lane keep assist
 - blind spot detection
 - night vision
 - pedestrian detection
 - traffic sign recognition
 - camera monitoring system
 - autonomous driving

Product Features

- support for image size:
 - 1824 x 940
 - VGA
 - QVGA, and any cropped size
- OmniHDR-S™ technology
- high sensitivity
- safety features
- low power consumption
- image sensor processor functions:
 - lens correction
 - defective pixel cancelation
 - HDR combination and tone mapping
 - automatic black level correction
- supported output formats: RAW
- horizontal and vertical sub-sampling
- serial camera control bus (SCCB) for register programming
- high speed serial data transfer with MIPI CSI-2, parallel 12-bit DVP output
- external frame synchronization capability
- embedded temperature sensor
- one time programmable (OTP) memory

OV10650



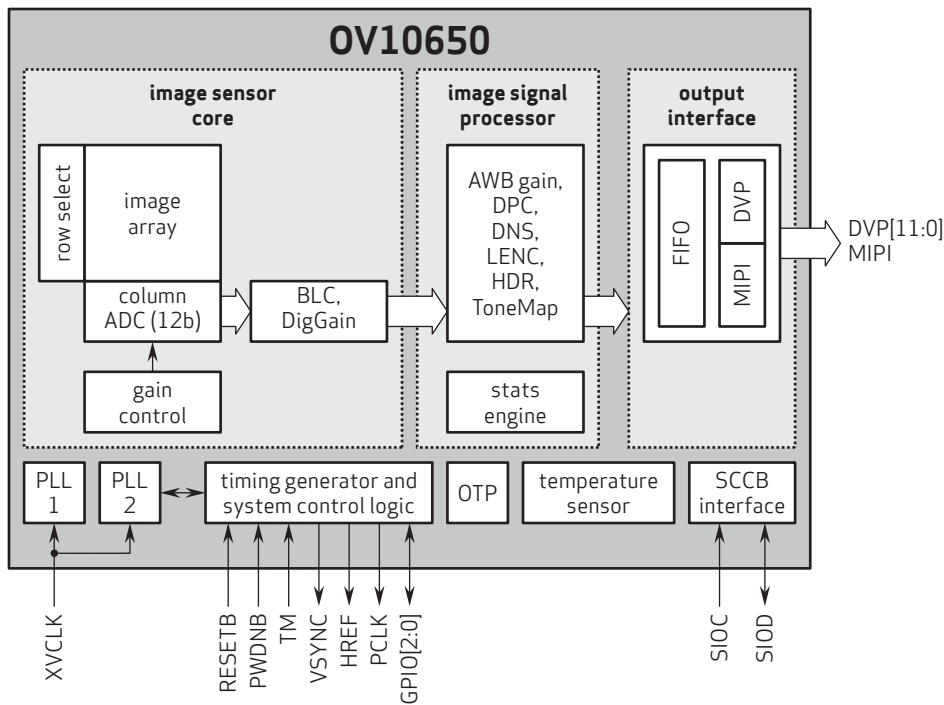
Ordering Information

- refer to OmniVision's ordering information document or contact OmniVision for ordering part number

Product Specifications

- active array size:** 1824 x 940
- power supply:**
 - analog: 3.14 - 3.47V
 - digital: 1.425 - 1.575V
 - DVDD: 1.7 - 1.9V
 - AVDD: 1.7 - 1.9V
- temperature range:**
 - operating: -40°C to +105°C sensor ambient temperature and -40°C to +125°C junction temperature
- output interfaces:** 12-bit DVP, MIPI CSI-2
- input clock frequency:** 6 - 40 MHz
- lens size:** 1/2.09"
- lens chief ray angle:** 19°
- output formats:**
 - 20-bit combined RAW
 - 12-bit compressed combined RAW
 - separated 12-bit RAW
 - 2x12-bit compressed RAW
 - 16-bit log domain combined RAW
 - 3x12-bit uncompressed RAW
- scan mode:** progressive
- shutter:** rolling shutter
- maximum image transfer rate:**
 - full resolution: 60 fps
- dynamic range:** 120 dB
- pixel size:** 4.2 μm x 4.2 μm
- image area:** 7711.2 μm x 3998.4 μm
- package dimensions:**
 - 9510 μm x 6860 μm

Functional Block Diagram



4275 Burton Drive
Santa Clara, CA 95054
USA

Tel: +1 408 567 3000
Fax: +1 408 567 3001
www.ovt.com

OmniVision reserves the right to make changes to their products or to discontinue any product or service without further notice. OmniVision and the OmniVision logo are registered trademarks of OmniVision Technologies, Inc. OmniBSI and OmniHDR-S are trademarks of OmniVision Technologies, Inc. All other trademarks are the property of their respective owners.



OmniVision