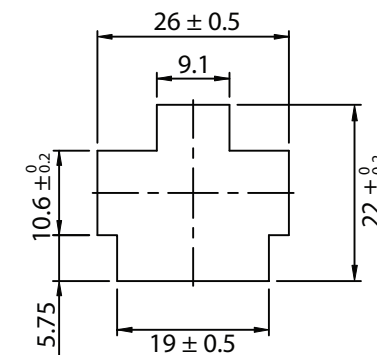
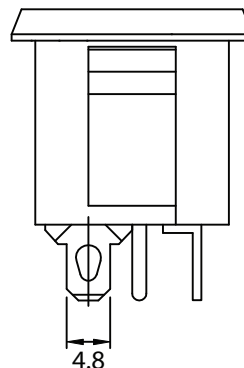
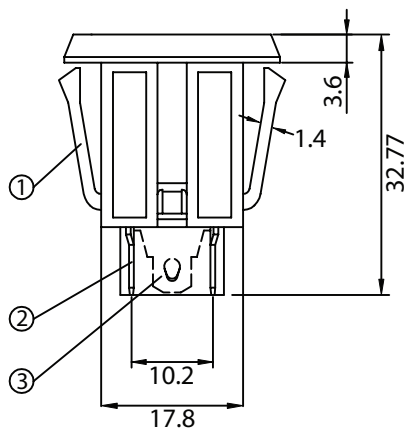
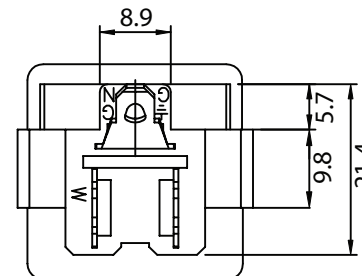
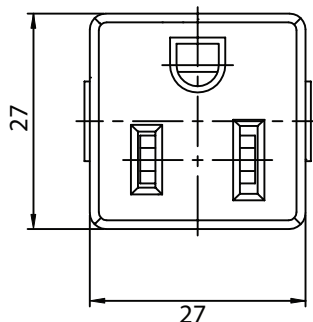


THESE DRAWINGS ARE THE PROPERTY OF QUALTEK ELECTRONICS AND NOT TO BE REPRODUCED FOR OR COMMUNICATED TO A THIRD PARTY WITHOUT THE EXPRESS WRITTEN PERMISSION OF AN OFFICER OF QUALTEK ELECTRONICS.

REVISION			
REV.	DESCRIPTION	DATE	APPROVED
B	RoHS Compliancy	06-01-06	DP



PANEL THICKNESS RANGE: 0.8mm~2.0mm

**CONTROLLED**

NOTES:

15A, 125V, AC  
 MATERIAL: UL94-V2  
 APPROVALS: UL, CSA  
 RoHS COMPLIANT

3	Soldering PIN B 0.6t Tin-Plated	1		
2	Soldering PIN A 0.6t Tin-Plated	2		
1	Body Insulator NYLON 21SP Color: Black	1		
Dim range (mm)	Tolerance +/- (mm)	<b>Qualtek Electronics Corp.</b> PPC DIVISION		
		Part Number:	738W-X2/02	
0-1	0.15	Description: NEMA 5-15 RECEPTACLE		
1-6	0.20	UNIT: mm	REV. B	
6-18	0.30			
18-50	0.50	Checked / Date	Approved / Date	
50-120	0.70			
120-250	0.90	Drawn / Date	S.CHEN 03-30-00	
250-500	1.20	Checked / Date	03-30-00	
		Approved / Date	JJH / 03-30-00	