

Product Brief

Zoran Corporation
1390 Kifer Road
Sunnyvale, CA 94086-5305

www.zoran.com



The PM-22 is a next-generation Codec device that leverages Zoran's years of experience to provide the ultimate in performance for today's multifunction peripherals. With features such as a 75 MHz clock speed, an internal 16 KB of SRAM, an internal Phase-Locked Loop (PLL), a 32-bit I/O

interface, JBIG compression and streamlined multi-tasking, the PM-22 offers the most sophisticated bitonal image compression capabilities available today.

Benefits

- **Ultimate performance**—bitonal image compression device
- **Unparalleled throughput**—Processes 600 dpi documents in less than 150 milliseconds
- **Highly integrated**—Internal SRAM and Phase-Locked Loop (PLL)
- **Improved I/O**—32-bit interface
- **Multi-standard support**—ITU G3, G4 and JBIG
- **Improved system performance**—Enhanced multi-tasking

Key Features

- 75 MHz clock speed for high throughput
- Integrated SRAM (16 KB) and Phase-Locked Loop (PLL)
- 32-bit I/O interface mode
- Support for ITU G3, G4 and JBIG bitonal image data formats
- Enhanced multi-tasking
- 3.3 Volt power supply
- 16 KB internal SRAM
- High-speed rotation assist function, concurrent with decompression
- Flexible I/O modes include Burst, FIFO, and Full Duplex DMA operation
- Programmable output palette
- Large image size capacity—handles up to 64 K pixels per line, up to 64 K lines
- Programmable bit, byte and word ordering on input and output

Description

High Throughput

The PM-22 can handle letter-sized 300 dpi documents in less than 45 milliseconds and 600 dpi documents in less than 150 milliseconds. With a maximum clock speed of 75 MHz, the PM-22 delivers a typical throughput of 225 Mpixels/second for ITU G3 and G4 data. The worst-case throughput for any compression/decompression standard is 75 Mpixels/second.

Integrated SRAM and PLL

To maximize cost-effectiveness, the PM-22 has integrated SRAM and Phase-Locked Loop (PLL). The PM-22's 16 KB of integrated SRAM reduces overall system cost. Its integrated PLL enables the PM-22 to generate its main internal clock frequency from a lower-frequency signal for reduced emissions and simplified board design.

32-bit I/O Interface

The PM-22 features a new interface mode that enables it to be connected directly to 32-bit system busses. It allows use of a 32-bit host port for input, output or both. An 8-bit or 16-bit peripheral port is also provided. Input and output data bit and byte reordering functions have been expanded in the PM-22 to include word-swapping.

JBIG Compression

JBIG offers compression ratios up to four times higher than with two-dimensional ITU Group 4 encoding methods. This improvement significantly increases system performance and reduces image storage and transmission costs.

Multifunction Image Processor

Product Brief

Descriptions (continued)**Enhanced Multi-Tasking**

Like previous PM-2x Codecs, the PM-22 fully supports multi-tasking for interrupt-driven image processing in multi-function peripherals. In addition, multi-tasking has been optimized on the PM-22 to reduce host processor interrupts during JBIG operations.

PM-22 Capabilities

The PM-22 enables the following combinations of operations to be performed on the data stream during one pass through the device:

- Decompress, scale, and clip the resulting bitonal data
- Decompress, scale to gray, and clip the resulting data
- Decompress, clip and rotate to any multiple of 90 degrees
- Clip and compress bitonal input

Scale factors for pass-through or decompression operations range from 1:256 to 255:1 in increments of 1/256. The PM-22 supports any combination of bit and byte ordering on both input and output ports. In addition, the PM-22 supports "fast" padding for improved output formatting operations.

The Role of Multi-Tasking

Effective multi-tasking will increase processor efficiency by reducing the overhead involved in multiple simultaneous compression/decompression processes. The PM-22 is capable of halting a process at the end of any line and cleanly restarting. When the processor is halted, the internal state can be read and stored. The PM-22 can then be reconfigured and restarted, either with a process that has been suspended or with an entirely new process.

Design Considerations

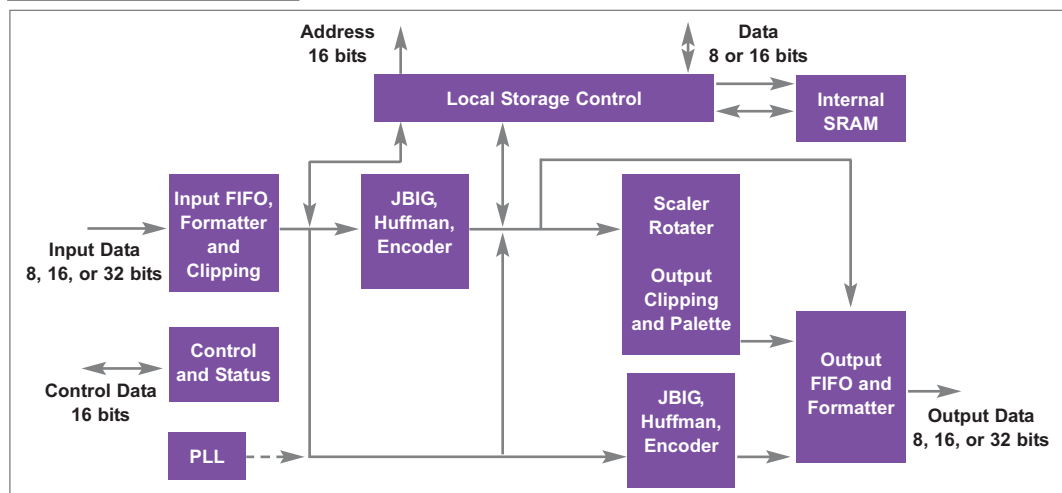
The PM-22 requires little in the way of external support chips. The PM-22 includes 16 KB of internal SRAM, sufficient to support most common coding or decoding operations. Rotation, scaling and multi-tasking operations may require an external SRAM (8 KB minimum; supports up to 128 KB), which serves as a local buffer during processing operations. Multi-tasking systems are able to use either internal or external SRAM for any task that fits into available memory.

PM-22 Specifications*Storage Formats Supported*

- ITU Group 3 1D (Modified Huffman coding)
- ITU Group 3 2D (Modified READ coding, programmable K-factor)
- ITU Group 4 2 D (Modified Modified READ (MMR) coding)
- IBM MMR coding
- TIFF Type 2
- JBIG (ISO IS 11544 compliant) Single progression sequential, Adaptive pixel, Typical prediction, 2 or 3 Line template, Variable stripe size

Electrical Specification

- 3.3 Volt power supply
- 5 Volt tolerant I/O (TTL-compatible I/O)
- Designed and fabricated in 0.35 micron standard cell technology
- Available in industry-standard 28mm 160 PQFP package
- Also available in lead-free "green" packaging

PM-22 Block Diagram

© Copyright 1998-2006 Zoran Corporation. All rights reserved. Zoran and the Zoran logo are trademarks of Zoran Corporation. All other names used are owned by their respective owners. Zoran Corporation makes no guarantee concerning the accuracy of the information contained herein and further does not guarantee that the use of such information will not infringe the rights of any third party. Zoran will not be responsible for any loss or damage of whatever nature resulting from the use of, or reliance upon, the information. Zoran reserves the right to make changes in the product and/or specifications presented herein at any time without notice.

Zoran Corporation www.zoran.com

imaging.usa@zoran.com • imaging.japan@zoran.com • imaging.taiwan@zoran.com • imaging.korea@zoran.com