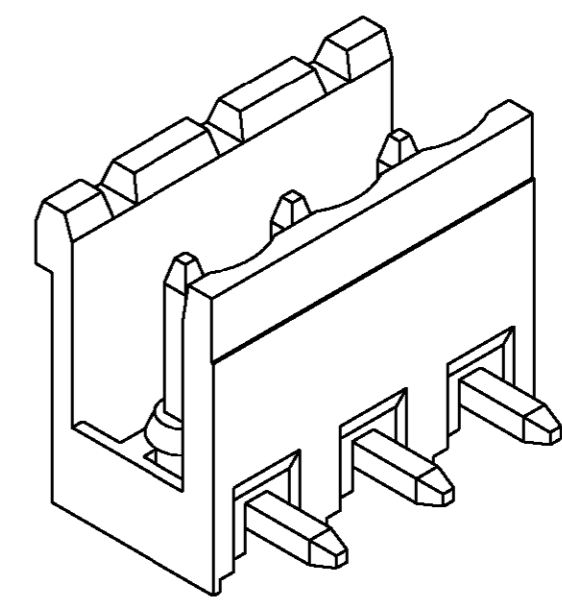
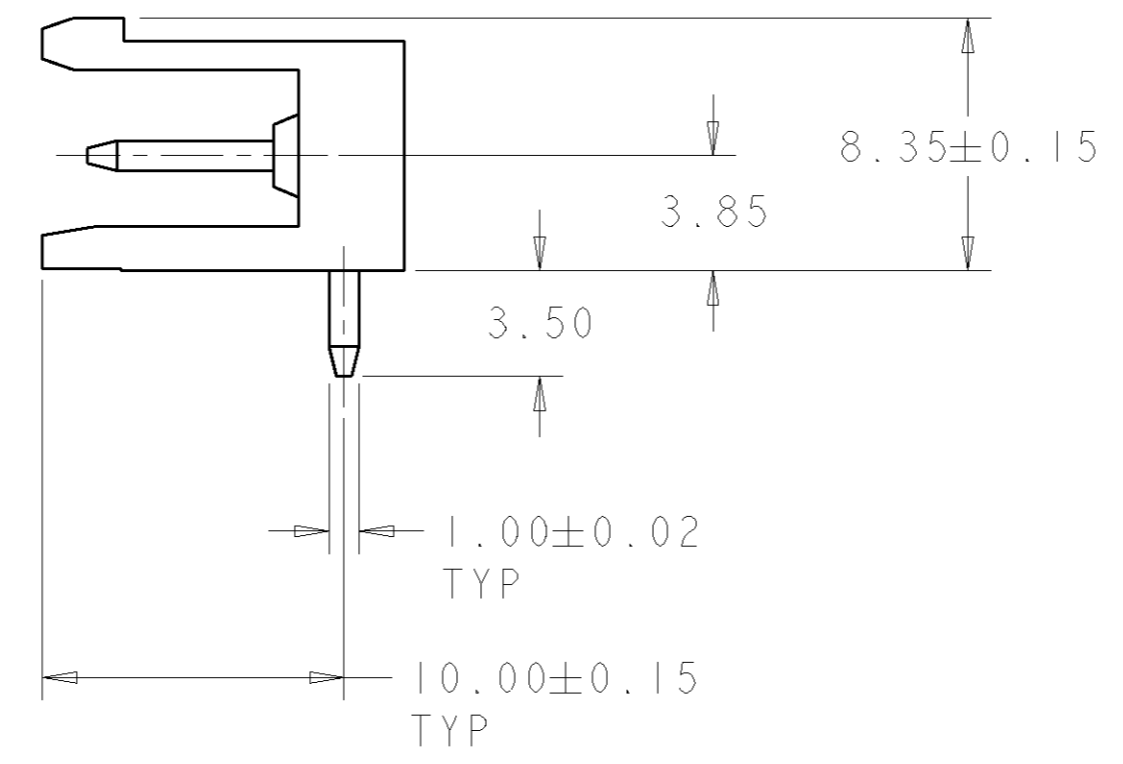
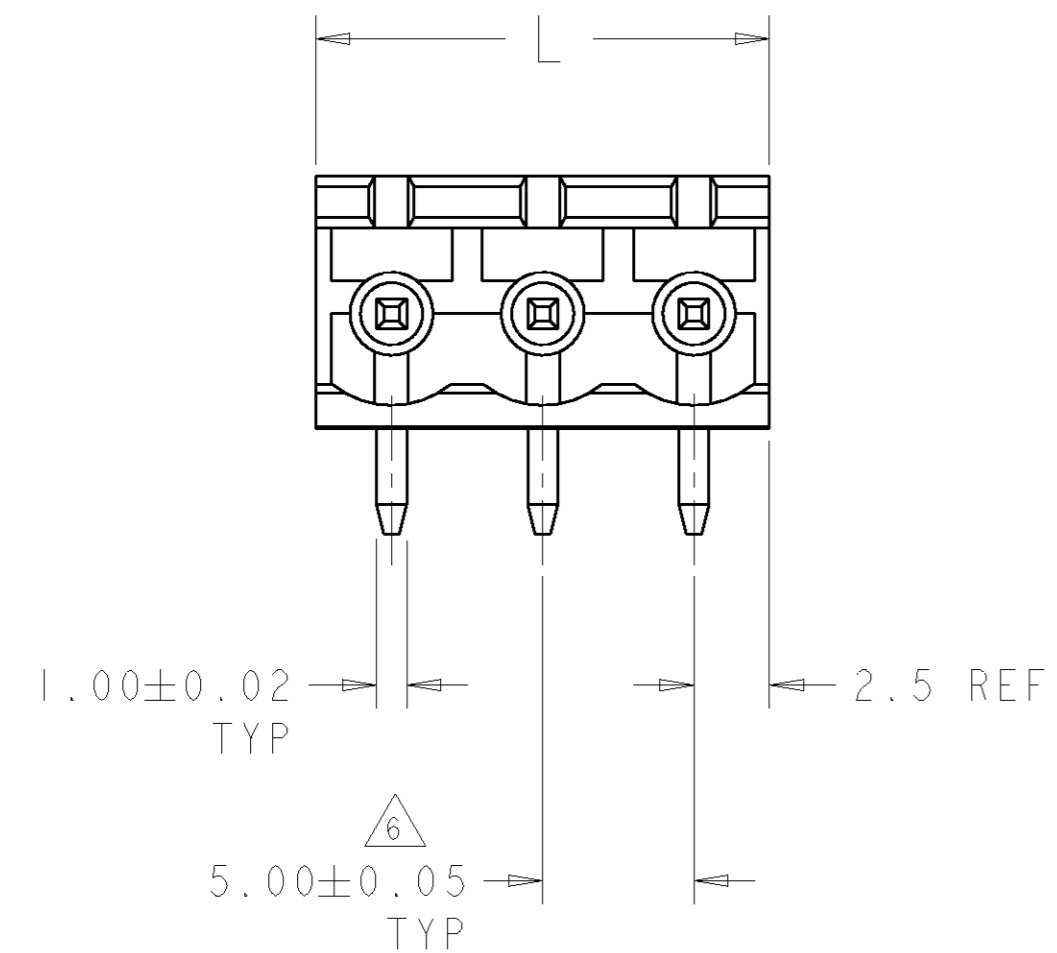
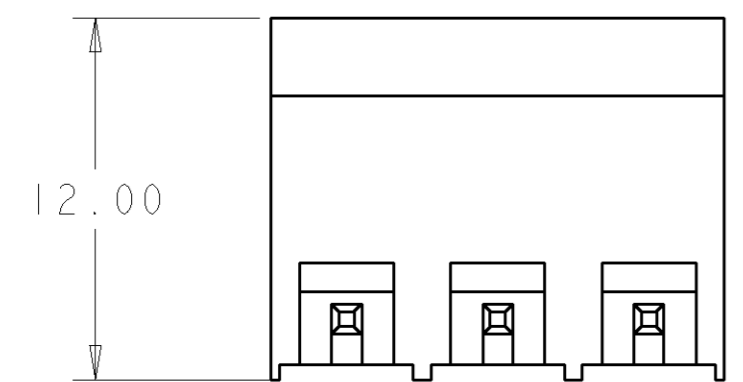


LOC	DIST	REVISIONS			
P	LTR	DESCRIPTION	DATE	DWN	APVD
FT	0	A	RELEASED	-	-

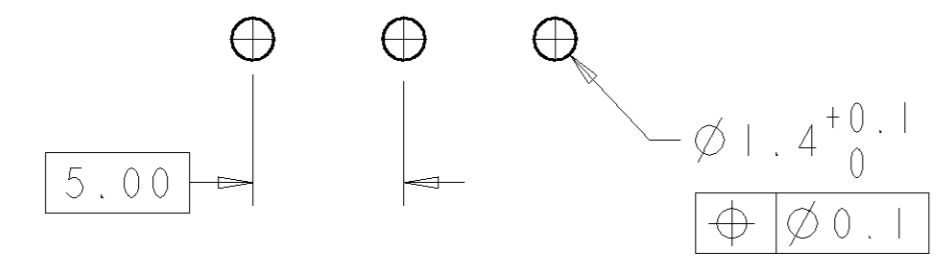


1546210-3 AS SHOWN



- 1. MATERIALS AND FINISH
 HOUSING: PA 6-6, UL 94-V0, COLOR: GRAY.
 TERMINAL: PHOSPHOR BRONZE, TIN PLATED.
- 2. SUITABLE FOR 1,6-2,4mm PC BOARD THICKNESS.
- 3. END-TO-END STACKABLE WITHOUT LOSS OF CENTERLINE SPACING.
- 4. RECOGNIZED UNDER THE COMPONENT PROGRAM OF UNDERWRITERS LABORATORIES INC. FILE N° E60677.
- 5. IMO CERTIFICATE WITH SURVEILLANCE IN CONFORMITY WITH IEC 998-1/998-2-1.
- 6. NOT CUMULATIVE TOLERANCE.
- 7. BUCHANAN LOGO TO APPEAR ON HOUSING, LOCATION OPTIONAL WHERE SPACE PERMITS.
- 8. SELECTIVELY LOADED IN POSITIONS 1, 4, 5, 8 & 11.

125.0	25	2-1546210-5
120.0	24	2-1546210-4
115.0	23	2-1546210-3
110.0	22	2-1546210-2
105.0	21	2-1546210-1
100.0	20	2-1546210-0
95.0	19	1-1546210-9
90.0	18	1-1546210-8
85.0	17	1-1546210-7
80.0	16	1-1546210-6
75.0	15	1-1546210-5
70.0	14	1-1546210-4
65.0	13	1-1546210-3
60.0	12	1-1546210-2
55.0	11	1-1546210-1
50.0	10	1-1546210-0
45.0	9	1546210-9
40.0	8	1546210-8
35.0	7	1546210-7
30.0	6	1546210-6
25.0	5	1546210-5
20.0	4	1546210-4
15.0	3	1546210-3
10.0	2	1546210-2
L	NO OF POSN	PART NUMBER



RECOMMENDED PC BOARD LAYOUT

THIS DRAWING IS A CONTROLLED DOCUMENT FOR TYCO ELECTRONICS CORPORATION IT IS SUBJECT TO CHANGE AND THE CONTROLLING ENGINEERING ORGANIZATION SHOULD BE CONTACTED FOR THE LATEST REVISION.		DWN S. WELDON 14AUG2003	Tyco Electronics Harrisburg, PA 17105-3608	
DIMENSIONS: mm		CHK C. RICHARD 14AUG2003	NAME TERMINAL BLOCK HEADER ASSEMBLY 90 DEGREE, OPEN ENDS, STACKING 5.00mm PITCH	
TOLERANCES UNLESS OTHERWISE SPECIFIED: 0 PLC ±.2 1 PLC ±.25 2 PLC ±.25 3 PLC ±.25 4 PLC ±.25 ANGLES ±2 FINISH		APVD C. RICHARD 14AUG2003	PRODUCT SPEC 108-20166	
MATERIAL		APPLICATION SPEC 114-20079	SIZE A2	
1		WEIGHT -	CAGE CODE 00779	
1		CUSTOMER DRAWING	DRAWING NO 1546210	
		SCALE 3:1		SHEET 1 OF 1
				REV A