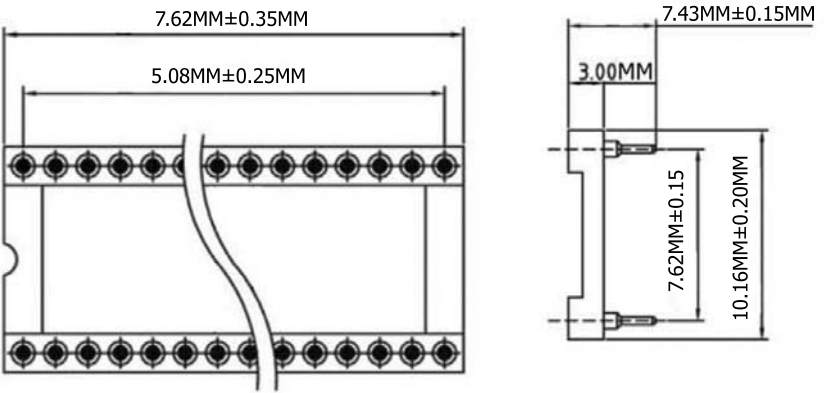
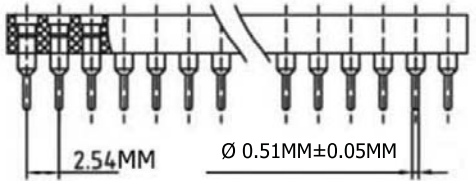


A



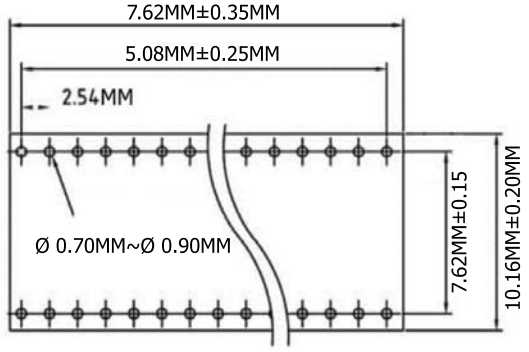
B

C



D

E



P.C.B. LAYOUT

Materials

- Pin (outer sleeve) : Brass, machined, CuZn38Pb2
- Clip (contact 4 finger) : Beryllium copper, heat treated or PHBZ
- Plating (outer sleeve) : Gold plated : 2µm/80µ"nickel, full gold
- Plating clip (contact): 2µm/80µ"nickel, full gold
- Insulator body (black) : Glass filled thermoplastic polyester UL94V-

Electrical

- Current rating : 3 Amps/contact max.
- Contact resistance : Max 4mΩ
- Insulation resistance : Min 10,000mΩ @ 500 V AC
- Operating Voltage : 100 VRMS / 150 V AC

Mechanical

- Operating temperature : Gold plated: -55°C to +125°C
- Average insertion force with steel pin of: 0.43mm/0.017" <250g
- Average withdrawal force with steel pin of: 0.43mm/0.017" >50g
- Mechanical life : min.200

Packaging: Tube

G

H



Scale	1:1						Name	Item No.
TOLERANCE					Drawn	11.01.11	Chappell	AR06-HGL-TT-R
X.X	±0.40				Approved			
X.XX	±0.25							Title
X.XXX	±0.15							IC-Socket, 6 Pin, Machined Contact Pitch: 2.54MM, Pin Length: 7.43 MM
Angle	±3°							Drawing No.
								rev00
								Replace
								Sheet
			Modification	Date	Name			

