

PLEASE CHECK WWW.MOLEX.COM FOR LATEST PART INFORMATION

Part Number: [0877730005](#)
Status: **Active**
Description: 3-Pin Header, Staggered, Vertical, Through Hole, Lead-free

Documents:

[Drawing \(PDF\)](#) [RoHS Certificate of Compliance \(PDF\)](#)
[Product Specification PS-87773-009 \(PDF\)](#)

General

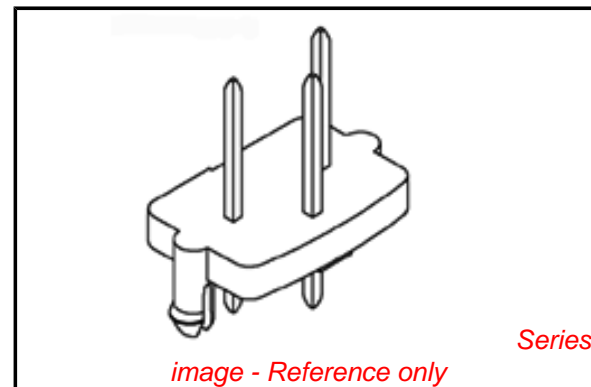
Product Family	PCB Headers
Series	87773
Application	Wire-to-Board
Product Name	N/A

Physical

Breakaway	No
Circuits (Loaded)	3
Circuits (maximum)	3
Color - Resin	Natural
First Mate / Last Break	No
Glow-Wire Compliant	No
Guide to Mating Part	No
Keying to Mating Part	Yes
Lock to Mating Part	No
Material - Plating Mating	Tin
Material - Plating Termination	Tin
Material - Resin	Nylon
Number of Rows	2
Orientation	Vertical
PC Tail Length (in)	0.138 In
PC Tail Length (mm)	3.50 mm
PCB Locator	Yes
PCB Retention	Yes
PCB Thickness Recommended (in)	0.063 In
PCB Thickness Recommended (mm)	1.60 mm
Packaging Type	Tube
Pitch - Mating Interface (in)	0.122 In
Pitch - Mating Interface (mm)	3.10 mm
Pitch - Term. Interface (in)	0.122 In
Pitch - Term. Interface (mm)	3.10 mm
Plating min: Mating (µin)	200
Plating min: Mating (µm)	5
Plating min: Termination (µin)	200
Plating min: Termination (µm)	5
Polarized to Mating Part	Yes
Polarized to PCB	Yes
Shrouded	No
Stackable	No
Surface Mount Compatible (SMC)	No
Temperature Range - Operating	-40°C to +90°C
Termination Interface: Style	Through Hole

Electrical

Current - Maximum per Contact	1.5A
Voltage - Maximum	250V DC



EU RoHS

**ELV and RoHS
Compliant**
REACH SVHC
 Not Reviewed
**Halogen-Free
Status**

China RoHS



**Need more information on product
environmental compliance?**

Email productcompliance@molex.com
 For a multiple part number RoHS Certificate of
 Compliance, [click here](#)

Please visit the [Contact Us](#) section for any
 non-product compliance questions.

Search Parts in this Series

87773Series

Material Info

Reference - Drawing Numbers

Product Specification

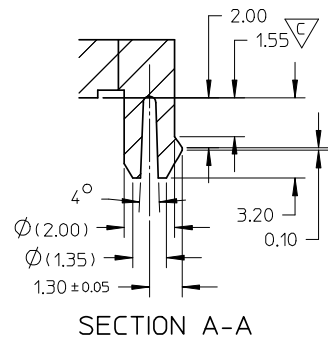
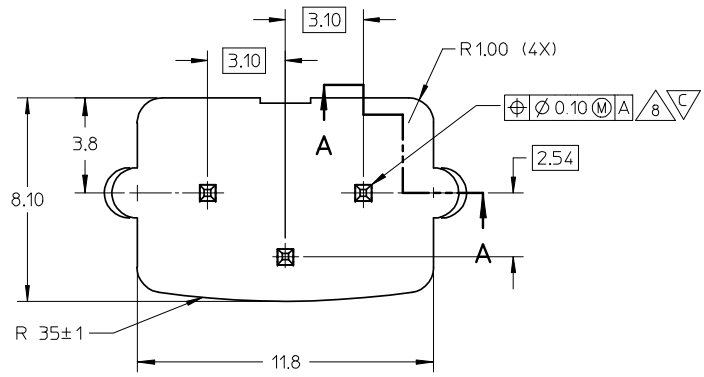
PS-87773-009

Sales Drawing

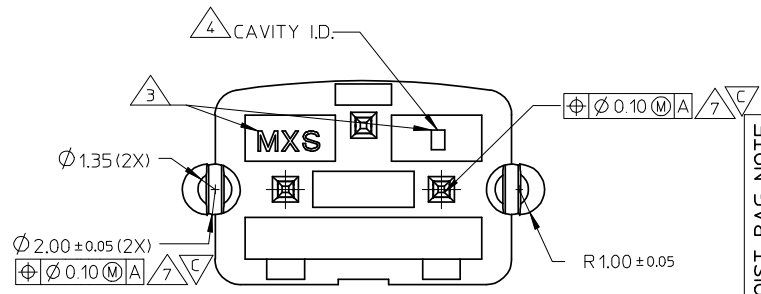
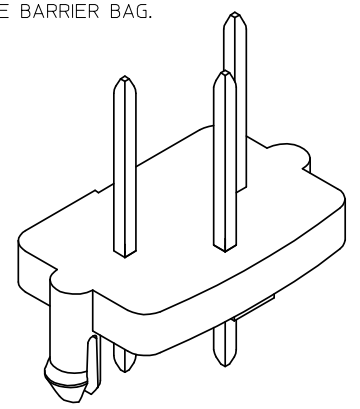
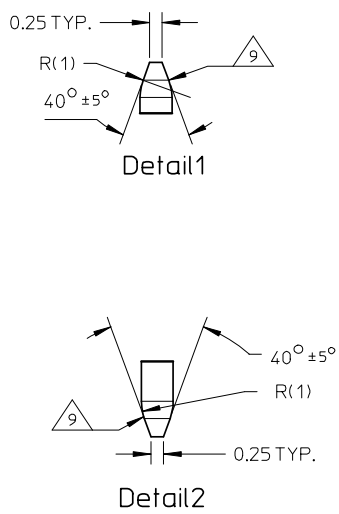
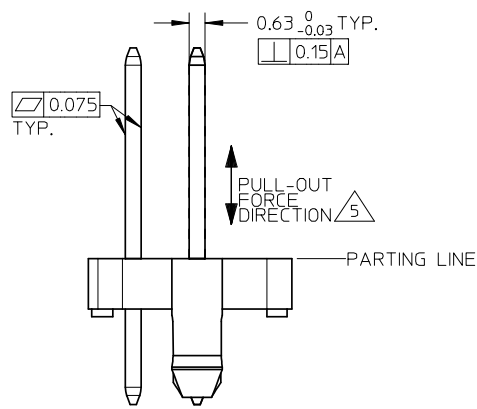
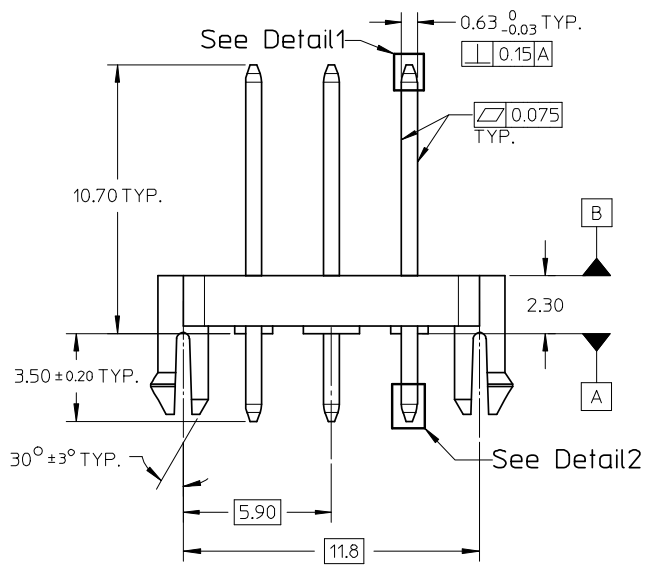
SD-87773-010

This document was generated on 04/19/2010

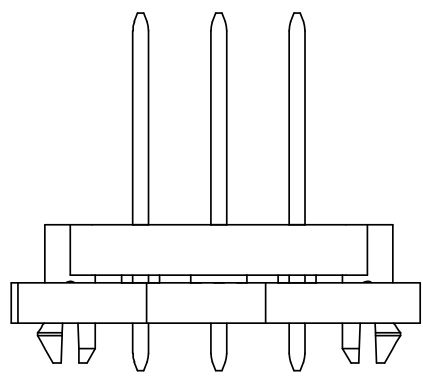
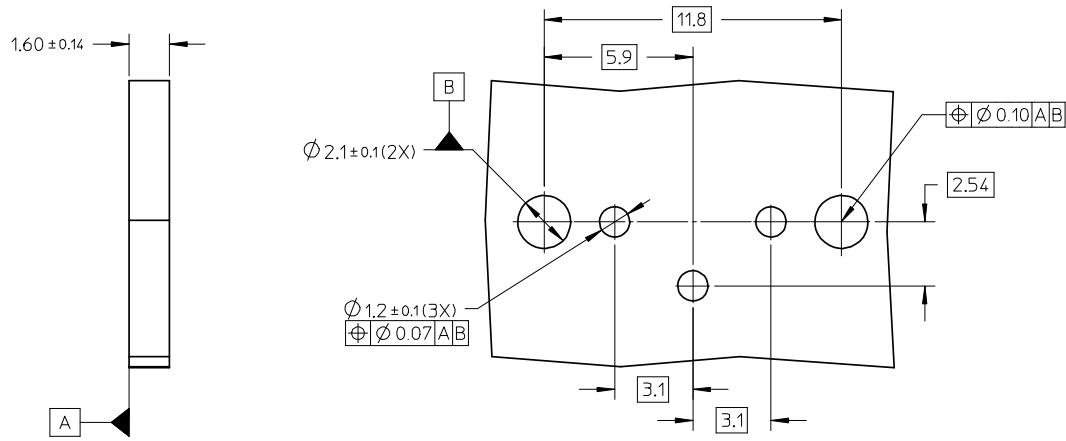
PLEASE CHECK WWW.MOLEX.COM FOR LATEST PART INFORMATION



- NOTES
- MATERIAL: THERMO-PLASTIC, PA 6/6, GLASS FILLED, COLOR: NATURAL (BIEGE).
TERMINAL: COPPER ALLOY, BRASS C26000.
 - PLATING: OVERALL 5µm TO 10µm TIN OVER 2µm TO 4µm NICKEL UNDERPLATE.
 - MOLEX LOGO AND CAVITY I.D. LOCATED APPROXIMATELY AS SHOWN.
 - CAVITY NUMBER, eg, 1 FOR CAVITY 1.
 - MINIMUM RETENTION FORCE PER PIN: 10N.
 - PERMISSIBLE DRAFT 1°.
 - TO BE MEASURED AT DATUM A.
 - TO BE MEASURED AT DATUM B.
 - NO BURR AT COINED TIP.
 - PRODUCT SPECIFICATION: PS-87773-009.
 - PACKAGING: TUBE.
 - PARTS SHALL BE PACKED IN MOISTURE BARRIER BAG.



ADD MOIST BAG NOTE EC NO: S2008-0564 DRWN:SKANG CH'KD:ATSEE APPR:MLONG	QUALITY SYMBOLS ▽=0 ◻=4	GENERAL TOLERANCES (UNLESS SPECIFIED)		DIMENSION STYLE MM ONLY		SCALE NTS	DESIGN UNITS METRIC	THIRD ANGLE PROJECTION			
		4 PLACES ± --- ± ---	3 PLACES ± --- ± ---	2 PLACES ± 0.10 ± ---	1 PLACE ± 0.2 ± ---	ANGULAR ± 3 °	DRAWN BY DKOH	DATE 2002/11/12	TITLE 3 PIN HEADER STAGGERED VERT THRU-HOLE SIREN SYSTEM		
		DRAFT WHERE APPLICABLE MUST REMAIN WITHIN DIMENSIONS					CHECKED BY KCLING	DATE 2002/12/02	MOLEX MOLEX INCORPORATED		
		SIZE A3					APPROVED BY SKTOH			DATE 2002/12/02	MATERIAL NO. 87773-0005



ADD MOIST BAG NOTE EC NO: S2008-0564 DRWN:SKANG CHKD:ATSEE APPR:MLONG	2008/02/11 2008/02/11 2008/02/12	DESCRIPTION REV	QUALITY SYMBOLS	GENERAL TOLERANCES (UNLESS SPECIFIED) mm INCH 4 PLACES ± --- ± --- 3 PLACES ± --- ± --- 2 PLACES ± 0.10 ± --- 1 PLACE ± 0.2 ± --- ANGULAR ± 3 °	DIMENSION STYLE MM ONLY DRAWN BY DATE DKOH 2002/11/12 CHECKED BY DATE KCL ING 2002/12/02 APPROVED BY DATE SKTOH 2002/12/02	SCALE NTS DESIGN UNITS METRIC THIRD ANGLE PROJECTION	TITLE 3 PIN HEADER STAGGERED VERT THRU-HOLE SIREN SYSTEM MOLEX INCORPORATED	MATERIAL NO. 87773-0005	DOCUMENT NO. SD-87773-010	SHEET NO. 2 OF 2
			▽=0 ∇=0							
			DRAFT WHERE APPLICABLE MUST REMAIN WITHIN DIMENSIONS							
			SIZE A3							