

BAV99W SWITCHING DIODE

FEATURES

Power dissipation

P_D : 200 mW ($T_{amb}=25$)

Collector current

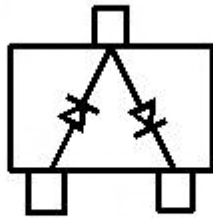
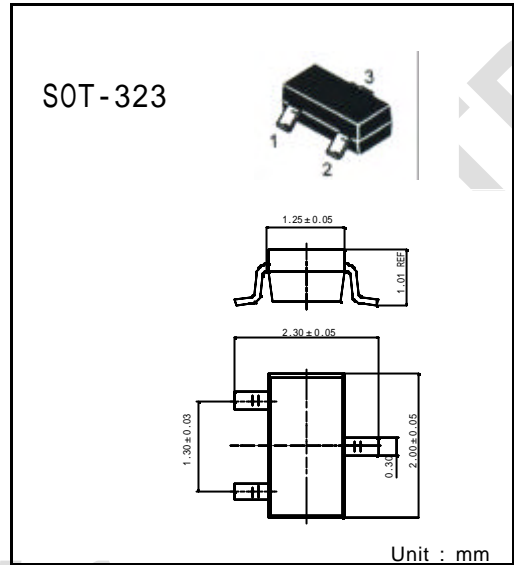
I_F : 150 mA

Collector-base voltage

V_R : 75 V

Operating and storage junction temperature range

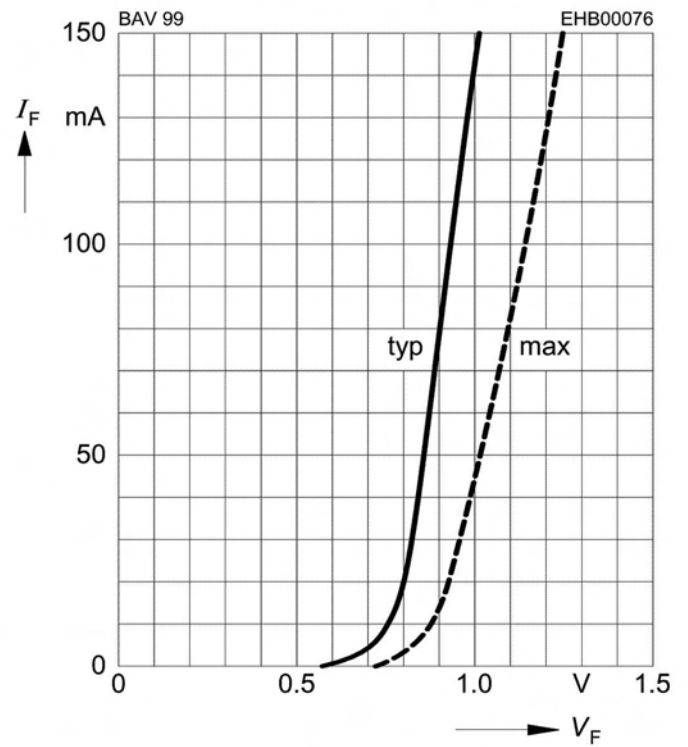
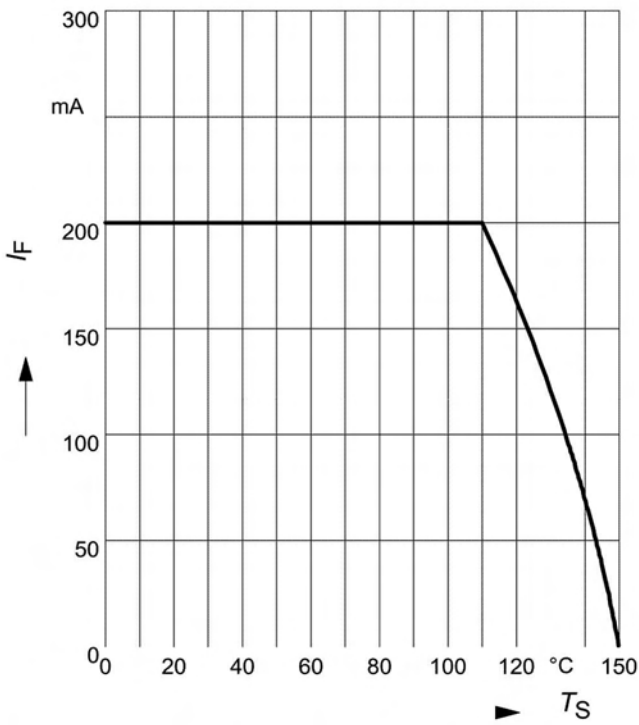
T_J, T_{stg} : -55 to +150



Marking: KJG

ELECTRICAL CHARACTERISTICS ($T_{amb}=25$ unless otherwise specified)

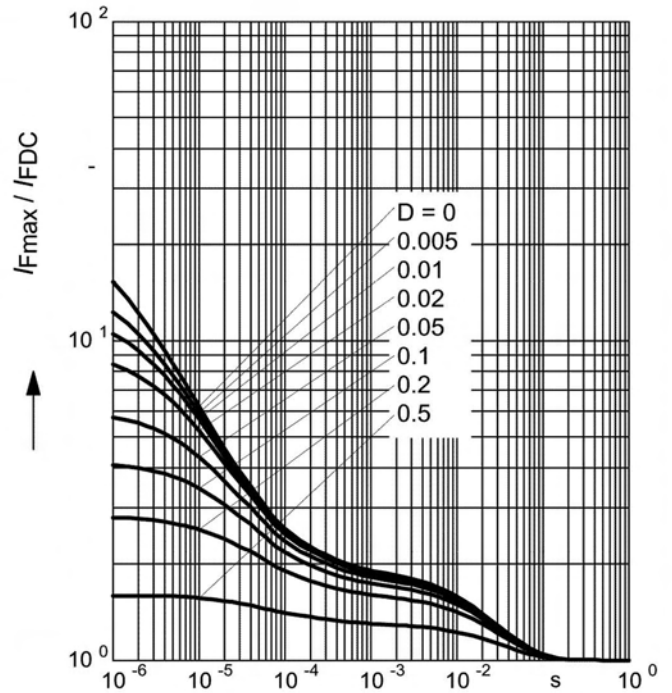
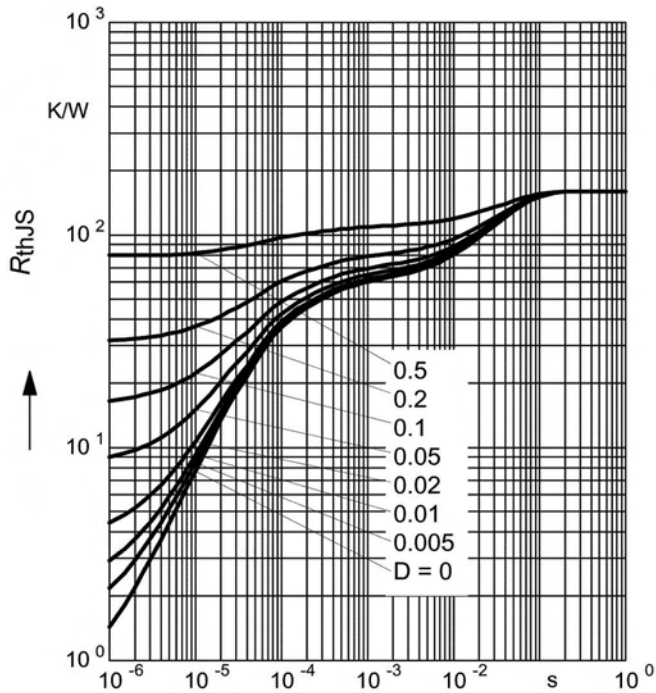
Parameter	Symbol	Test conditions	MIN	MAX	UNIT
Reverse breakdown voltage	$V_{(BR)R}$	$I_R=100\mu A$	75		V
Reverse voltage leakage current	I_R	$V_R=75V$		2.5	μA
Forward voltage	V_F	$I_F=1mA$ $I_F=10mA$ $I_F=50mA$ $I_F=150mA$		715 855 1000 1250	mV
Diode capacitance	C_D	$V_R=0V$ $f=1MHz$		2	pF
Reveres recovery time	t_{rr}	$I_F=I_R=10mA$ $I_{rr}=0.1 \times I_R$ $R_C=100$		4	nS



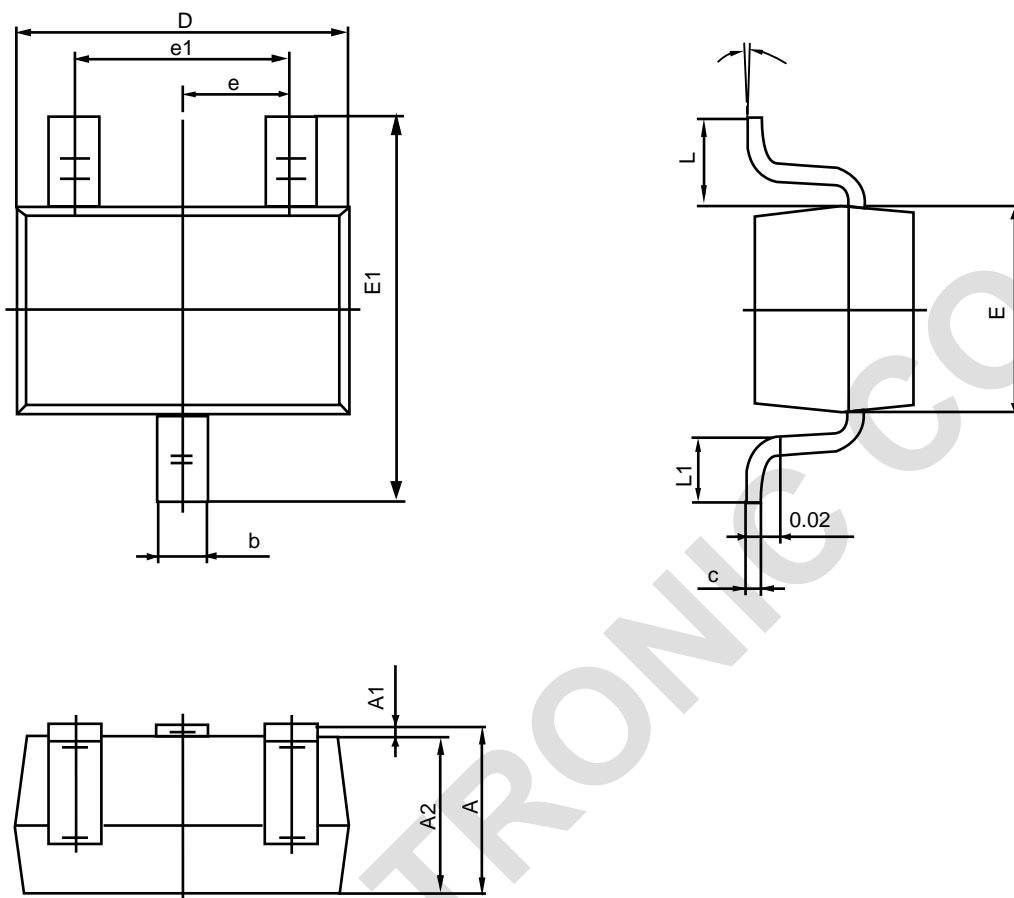
Permissible Pulse Load $R_{thJS} = f(t_p)$

Permissible Pulse Load

$I_{Fmax} / I_{FDC} = f(t_p)$



SOT-323 PACKAGE OUTLINE DIMENSIONS



Symbol	Dimensions In Millimeters		Dimensions In Inches	
	Min	Max	Min	Max
A	0.900	1.100	0.035	0.043
A1	0.000	0.100	0.000	0.004
A2	0.900	1.000	0.035	0.039
b	0.200	0.400	0.008	0.016
c	0.080	0.150	0.003	0.006
D	2.000	2.200	0.079	0.087
E	1.150	1.350	0.045	0.053
E1	2.150	2.450	0.085	0.096
e	0.650TYP		0.026TYP	
e1	1.200	1.400	0.047	0.055
L	0.525REF		0.021REF	
L1	0.260	0.460	0.010	0.018
0	0°	8°	0°	8°