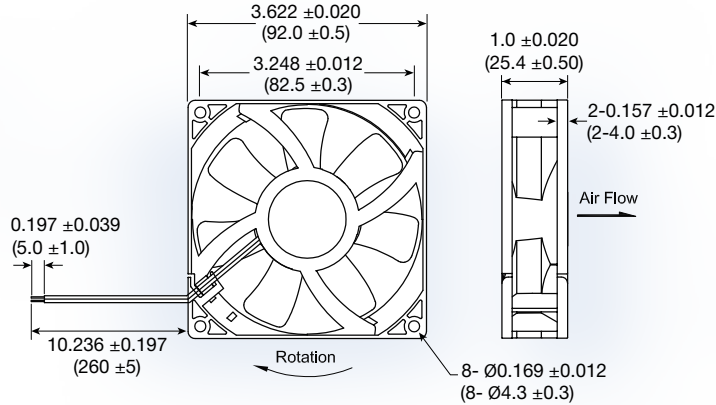
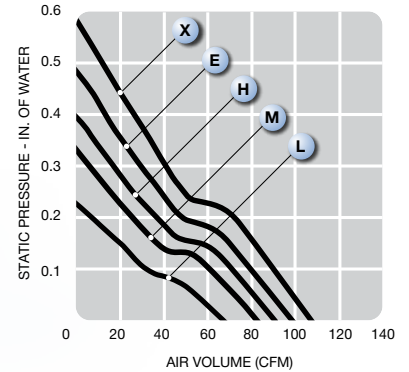


MR9225 series



(92 x 92 x 25 mm)

3.62 x 3.62 x 0.98 inches



Features: soft start, polarity protection, auto-restart

Operating Voltage: 12 or 24 VDC

Construction: UL94V-0 plastic impeller and frame

Bearing option: ball bearing or sleeve

Air Flow: air exhaust over struts

Options: tachometer output or locked rotor alarm signal; PWM speed control

Model No.	Rated Voltage VDC	Current A		Speed RPM	Air Volume		Max. Static Pressure (H ₂ O)		Sound Noise dBa	Weight g
		12	24		M ³ /Min.	CFM	MM	INCH		
MR9225L	12/24	0.21	0.11	3,000	1.91	68	5.91	0.23	40.9	120
MR9225M	12/24	0.38	0.19	3,600	2.28	81	8.42	0.33	45.1	120
MR9225H	12/24	0.50	0.25	4,000	2.53	90	10.35	0.40	48.0	120
MR9225E	12/24	0.62	0.31	4,400	2.77	99	12.46	0.49	50.8	120
MR9225X	12/24	0.84	0.42	4,800	3.02	107	14.78	0.58	53.0	120

