

**PLEASE CHECK WWW.MOLEX.COM FOR LATEST PART INFORMATION**

**Part Number:** [0850480024](#)  
**Status:** **Active**  
**Overview:** [din\\_41612](#)  
**Description:** 2.54mm (.100") Pitch DIN 41612/IEC 603-2 Mixed Layout Connector, Through Hole, Vertical, Female Style M, 32 Circuits, Lead free

**Documents:**

[3D Model](#) [RoHS Certificate of Compliance \(PDF\)](#)  
[Drawing \(PDF\)](#)

**Agency Certification**

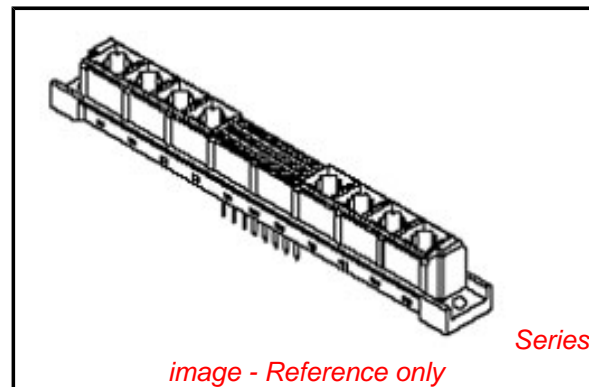
CSA LR19980  
 UL E29179

**General**

Product Family Backplane Connectors  
 Series [85048](#)  
 Application Backplane  
 Comments Mixed Layout  
 Component Type PCB Receptacle  
 Overview [din\\_41612](#)  
 Product Name IEC 603-2/DIN 41612  
 Style M

**Physical**

Circuits (Loaded) 32  
 Circuits (maximum) 32  
 Circuits Detail Rows A, B & C  
 Durability (mating cycles max) 400  
 First Mate / Last Break No  
 Flammability 94V-0  
 Guide to Mating Part No  
 Keying to Mating Part Yes  
 Material - Metal Copper Alloy  
 Material - Plating Mating Gold  
 Material - Plating Termination Tin  
 Number of Columns 8  
 Number of Pairs Open Pin Field  
 Number of Rows 3  
 Orientation Vertical  
 PC Tail Length (in) 0.177 In  
 PC Tail Length (mm) 4.50 mm  
 PCB Locator No  
 PCB Retention Yes  
 Packaging Type Carton  
 Pitch - Mating Interface (in) 0.100 In  
 Pitch - Mating Interface (mm) 2.54 mm  
 Pitch - Term. Interface (in) 0.100 In  
 Pitch - Term. Interface (mm) 2.54 mm  
 Plating min: Mating (µin) 24  
 Plating min: Mating (µm) 0.60  
 Polarized to PCB Yes  
 Stackable No  
 Surface Mount Compatible (SMC) No  
 Temperature Range - Operating -55°C to +125°C  
 Termination Interface: Style Through Hole



**EU RoHS**

**ELV and RoHS Compliant**  
**REACH SVHC**  
 Not Reviewed  
**Halogen-Free Status**  
**Not Reviewed**

**China RoHS**



**Need more information on product environmental compliance?**

Email [productcompliance@molex.com](mailto:productcompliance@molex.com)  
 For a multiple part number RoHS Certificate of Compliance, [click here](#)

Please visit the [Contact Us](#) section for any non-product compliance questions.

**Search Parts in this Series**

[85048Series](#)

**Mates With**

DIN 41612/EIC 603-2 Mixed Layout Connector [85009](#) , [85017](#)

**Use With**

[85022](#) DIN 41612 High Current Contact

**Electrical**

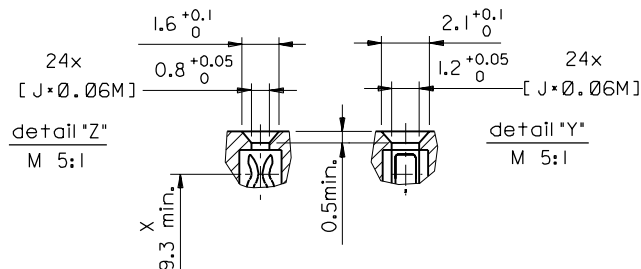
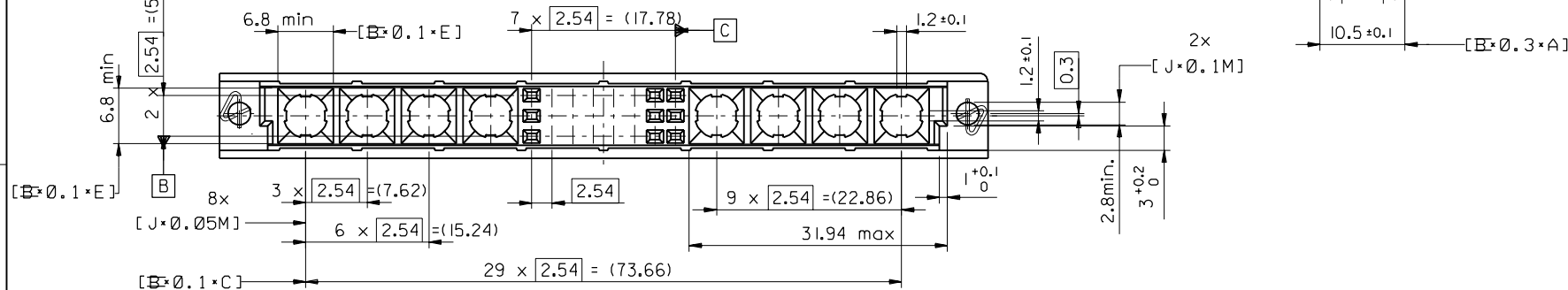
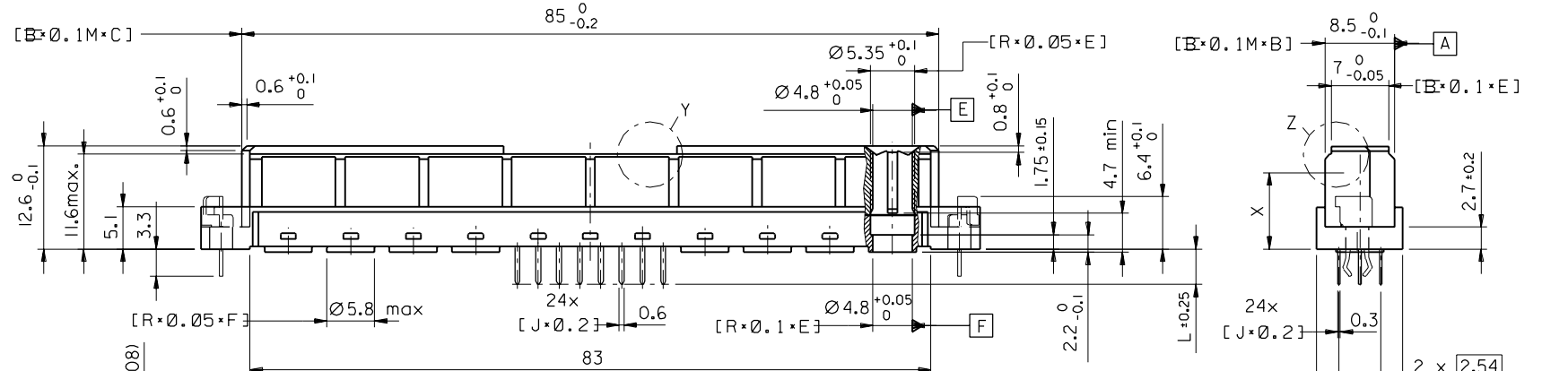
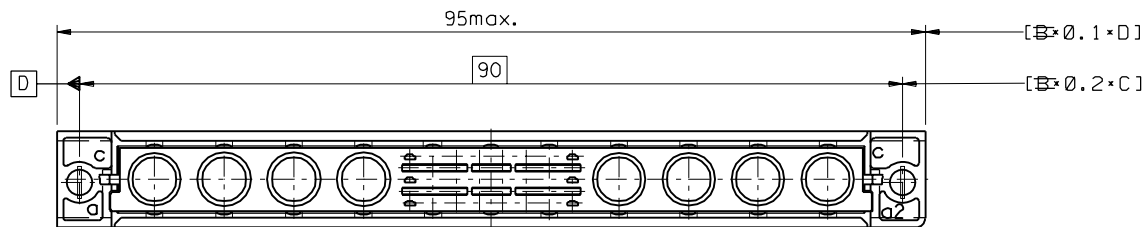
Current - Maximum per Contact	1A
Data Rate	622.0 Mbps
Real Signals (per 25mm)	30
Voltage - Maximum	250V AC (RMS)

**Material Info****Reference - Drawing Numbers**

Packaging Specification	PK-85048-001
Sales Drawing	SD-85048-0004, SD-85048-0024

This document was generated on 05/17/2010

**PLEASE CHECK [WWW.MOLEX.COM](http://WWW.MOLEX.COM) FOR LATEST PART INFORMATION**



FIRST ANGLE PROJECTION				REVISE ONLY ON CAD SYSTEM				SH.	REV.
ECN 2478 first release	LTR FOR PREVIOUS REVISIONS SEE MRI LIST	UNLESS OTHERWISE SPECIFIED TOLERANCES: ANGULAR ±2°		DRWG BY <b>KN</b>	SIGN		CAD/CAM PROJECT NAME 85048000 841		
		INCH METRIC		CHK'D BY <b>Ca</b>	SIGN		THIS DRAWING CONTAINS INFORMATION THAT IS PROPRIETARY TO MOLEX INC. & SHOULD NOT BE USED WITHOUT WRITTEN PERMISSION		
3 PLACE ±		±	±	APP'D BY <b>JB</b>	SIGN		TITLE <b>24 pol. Federleiste</b> <b>24 pos. female connector</b> <b>DIN 41612, style M</b>		
2 PLACE ±		±	±	SCALE <b>2:1</b>		SHEET NO. DATE <b>1 OF 1</b> <b>97/04/14</b>			
1 PLACE ±		±	±	SCALE		MOLEX MOLEX EUROPE			
DESIGN DIMENSION <input checked="checked" type="checkbox"/> MM <input type="checkbox"/> IN.				PART NO.		DWG. NO.		SIZE	
EQUIVALENT DIMENSION <input type="checkbox"/> MM <input type="checkbox"/> IN.				SD-85048-0004		B			
IF TWO DIMENSIONS ARE SHOWN THE UPPER IS THE DESIGN DIMENSION, LOWER IS SECONDARY									

VIEW ON MATING SIDE

∩									A	A	A	A	A	A											
ω									A	A	A	A	A	A											
◁									A	A	A	A	A	A											

1 2 3 4 5 6 7 8 9 10 11 12 13 14 15 16 17 18 19 20 21 22 23 24 25 26 27 28 29 30 31 32

A = 24 STANDARD CONTACTS L=4,5

Marking	Standard
Performance level	G2/0 = Contact area level2 / Termination tin
Flux proof	no
Fixing clip	no
Dimensions	SD-85048-0004 sht.1
Technical Data	PS-85042-0001

A	G2/0	b13-20	b13-20	c13-20
Contact symbol	Perform. level	Contact position number		

ECN 2478	REVISIONS	FOR PREVIOUS REVISIONS SEE MRI LIST	
first release	REVISIONS		
▷	LTR		

UNLESS OTHERWISE SPECIFIED TOLERANCES: ANGULAR ± 2°	DRWG BY	SIGN	CAD/CAM PROJECT NAME	SH. REV.
	KN		s8504800 s21	
3 PLACE ± •	CHK'D BY	SIGN	THIS DRAWING CONTAINS INFORMATION THAT IS PROPRIETARY TO MOLEX INC. & SHOULD NOT BE USED WITHOUT WRITTEN PERMISSION	
2 PLACE ± •	Ca			
1 PLACE ± •	APPD BY	SIGN	TITLE	SHEET NO. DATE
	JB			
DRAFT WHERE APPLICABLE MUST REMAIN WITHIN DIMENSIONS	SCALE		24 pos. female connector acc. DIN 41612, style M contacts arrangement	1 OF 1 97/05/28
DESIGN DIMENSION <input type="checkbox"/> MM <input type="checkbox"/> IN.				
EQUIVALENT DIMENSION <input type="checkbox"/> MM <input type="checkbox"/> IN.			MOLEX EUROPE	DWG NO. SD-85048-0024
IF TWO DIMENSIONS ARE SHOWN, THE UPPER IS THE DESIGN DIMENSION, LOWER IS SECONDARY				