

PLEASE CHECK WWW.MOLEX.COM FOR LATEST PART INFORMATION

Part Number: [0038002396](#)
Status: **Active**
Overview: [kk](#)
Description: 2.54mm (.100") Pitch KK® Connector, IDT, High Pressure Cat Ear Contact System, Green ID Stripe, 6 Circuit

Documents:

[Drawing \(PDF\)](#) [Product Specification PSX-7690S \(PDF\)](#)
[Product Specification PS-99020-0088 \(PDF\)](#) [RoHS Certificate of Compliance \(PDF\)](#)

Agency Certification

UL E29179

General

Product Family IDT and Solder Connectors
 Series [7690](#)
 Comments Version H
 Crimp Quality Equipment Yes
 Overview [kk](#)
 Product Name KK®

Physical

Circuits (Loaded) 6
 Color - Resin Natural
 Durability (mating cycles max) 25
 Flammability 94V-2
 Gender Female
 Glow-Wire Compliant No
 Lock to Mating Part Yes
 Material - Metal Brass
 Material - Plating Mating Tin
 Material - Plating Termination Tin
 Material - Resin Nylon
 Number of Rows 1
 Packaging Type Bag
 Panel Mount No
 Pitch - Mating Interface (in) 0.100 In
 Pitch - Mating Interface (mm) 2.54 mm
 Plating min: Mating (µin) 40
 Plating min: Mating (µm) 1.00
 Plating min: Termination (µin) 40
 Plating min: Termination (µm) 1.00
 Temperature Range - Operating 0°C to +75°C
 Wire Size AWG 24 Stranded, 26 Solid, 26 Stranded Topcoat

Electrical

Current - Maximum per Contact 2.5A
 Voltage - Maximum 250V

Solder Process Data

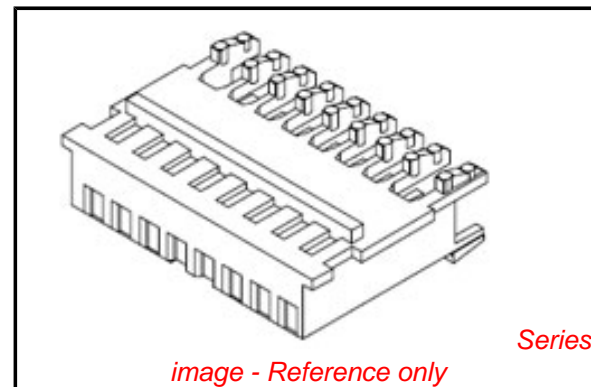
Lead-free Process Capability Wave Capable (TH only)

Material Info

Old Part Number 7690SC06H

Reference - Drawing Numbers

Product Specification PS-99020-0088, PSX-7690S



EU RoHS

**ELV and RoHS
Compliant**
REACH SVHC
 Not Reviewed
**Halogen-Free
Status**
Not Reviewed

China RoHS



**Need more information on product
environmental compliance?**

Email productcompliance@molex.com
 For a multiple part number RoHS Certificate of Compliance, [click here](#)

Please visit the [Contact Us](#) section for any non-product compliance questions.

Search Parts in this Series

[7690Series](#)

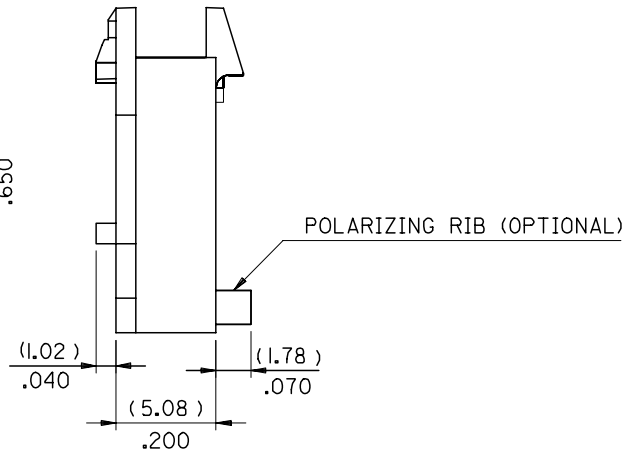
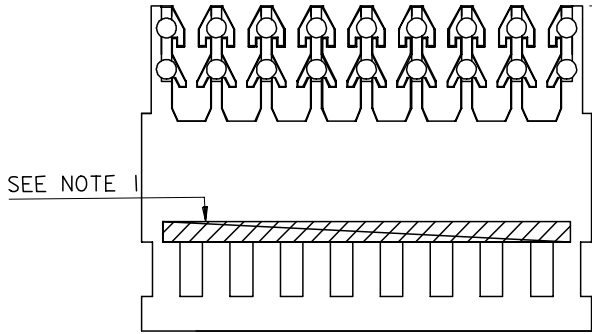
Mates With

Molex KK® 2.54mm (.100") pitch headers and 0.64mm (.025") pins

This document was generated on 05/19/2010

PLEASE CHECK WWW.MOLEX.COM FOR LATEST PART INFORMATION

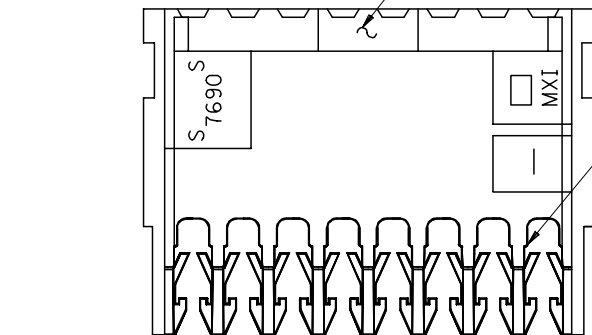
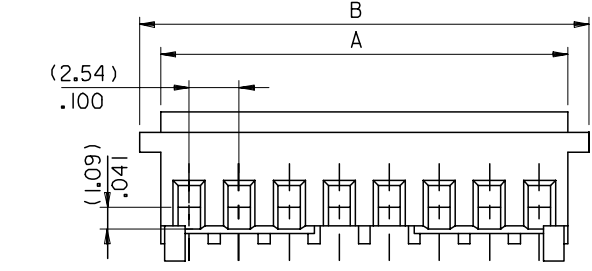
CCT.	DIM "A"	DIM "B"
2	(2.54)/.100	(7.59)/.299
3	(5.08)/.200	(10.13)/.399
4	(7.62)/.300	(12.67)/.499
5	(10.16)/.400	(15.21)/.599
6	(12.70)/.500	(17.75)/.699
7	(15.24)/.600	(20.29)/.799
8	(17.78)/.700	(22.83)/.899
9	(20.30)/.800	(25.37)/.999
10	(22.86)/.900	(27.92)/1.099
11	(25.40)/1.000	(30.45)/1.199
12	(27.94)/1.100	(32.99)/1.299
13	(30.48)/1.200	(35.53)/1.399
14	(33.02)/1.300	(38.07)/1.499
15	(35.56)/1.400	(40.61)/1.599
16	(38.10)/1.500	(43.15)/1.699
17	(40.64)/1.600	(45.69)/1.799
18	(43.18)/1.700	(48.23)/1.899
19	(45.72)/1.800	(50.77)/1.999
20	(48.26)/1.900	(53.31)/2.099
21	(50.80)/2.000	(55.85)/2.199
22	(53.34)/2.100	(58.39)/2.299
23	(55.88)/2.200	(60.93)/2.399
24	(58.42)/2.300	(63.47)/2.499
25	(60.96)/2.400	(66.01)/2.599
26	(63.50)/2.500	(68.55)/2.699
27	(66.04)/2.600	(71.09)/2.799
28	(68.58)/2.700	(73.63)/2.899



A-7690S-*N*--*

BASE NO. VOID LOCATION
 TERM. DESIGNATION
 NO. OF CIRCUITS

HOUSING CONFIGURATION
 A= STD. HOUSING(NO OPTIONS)
 B= WITH RAMP
 C= WITH RAMP AND POLARIZING RIBS



- 1- COLOURED STRIPE RUNNING LENGTH OF THE RIB AS SHOWN
- 2- TERMINALS RO BE LUBRICATED PRIOR TO ASSEMBLY WITH MXI-3 LUBRICANT.
- 3- THIS ASSEMBLY WILL ACCOMODATE (1.24)/.056 MAX. DIA. INSULATION
- 4- CONNECTOR MATERIAL: NYLON 6/6 94V-2
- 5- FOR USE WITH (0.64)/.025 ROUND OR SQUARE WIRE TO INTERSECTION DEPTH OF (7.87/6.10) / .310/.240
- 6- VOIDS ARE AVAILABLE WITH DESIGNATED PIN ENTRY HOLES MOLDED CLOSED
- 7- ALL TERMINALS HAVE CAT-EARS CONFIGURATION
- 8- FOR STANDARD PARTS SEE FOLLOWING SHEETS
- 9- THIS PART CONFORMS TO PROD.SPEC.99020-0088

REVISED SEET 2
 EC NO: E2006-0657
 DRWN:DMASZKI/EMI/CZ 2006/06/06
 CHK'D: MOR ARTY 2006/06/07
 APPR: DENNEHY 2006/06/09

QUALITY SYMBOLS	DESCRIPTION
▽=0	
▽=0	

GENERAL TOLERANCES (UNLESS SPECIFIED)	
mm	INCH
4 PLACES ± ---	± ---
3 PLACES ± ---	± .005
2 PLACES ± 0.13	± .010
1 PLACE ± 0.25	± ---
ANGULAR ±1/2°	

DRAFT WHERE APPLICABLE MUST REMAIN WITHIN DIMENSIONS

DIMENSION STYLE	
MM/IN	SCALE
DRAWN BY O. COSTEL	DATE 1998/02/02
CHECKED BY MOHALLOR	DATE 1998/09/16
APPROVED BY MWILHITE	DATE 1998/09/16
MATERIAL NO.	DOCUMENT NO.

SCALE	DESIGN UNITS	THIRD ANGLE PROJECTION
4:1	METRIC	☉ □
INSULATION DISPLACEMENT CONN. (2.54)/.100 CENTRELINES		
MOLEX INCORPORATED		
SEE CHART	SDA-7690S-*N*	SHEET NO. 1 OF 3
THIS DRAWING CONTAINS INFORMATION THAT IS PROPRIETARY TO MOLEX INCORPORATED AND SHOULD NOT BE USED WITHOUT WRITTEN PERMISSION		

10 9 8 7 6 5 4 3 2 1

F

E

D

C

B

A

F

E

D

C

B

A

PART NO.	ENG NO.	CCTS	TERM NO.	I.D. STRIPE	PLTG
38-00- 2392	A-7690S-C 2H	2	40125-H(P902)	GREEN	HOT TIN DIP (1-2.5 UM).00004-.00010
↑ 2393	↑ C 3H	3	↑	↑	
2394	C 4H	4			
2395	C 5H	5			
2396	C 6H	6			
2397	C 7H	7			
2398	C 8H	8			
2399	C 9H	9			
2400	C10H	10			
2401	C11H	11			
2402	C12H	12			
2403	C13H	13			
2404	C14H	14			
2405	C15H	15			
2406	C16H	16			
2407	C17H	17			
2408	C18H	18			
2409	C19H	19			
2410	C20H	20			
2411	C21H	21			
2412	C22H	22			
2413	C23H	23			
2414	C24H	24			
2415	C25H	25			
2416	C26H	26			
↓ 2417	↓ C27H	27	↓	↓	
38-00- 2418	A-7690S-C28H	28	40125-H(P902)	GREEN	

REVISED EC NO: E2006-0657 DRWN: WASZKI EWI C7 2006/06/06 CHKD: MORIARTY 2006/06/07 APPR: DENNEHY 2006/06/09	QUALITY SYMBOLS	GENERAL TOLERANCES (UNLESS SPECIFIED)	DIMENSION STYLE	SCALE	DESIGN UNITS	THIRD ANGLE PROJECTION
	▽=0 ▽=0	mm INCH 4 PLACES ± --- ± --- 3 PLACES ± --- ± --- 2 PLACES ± --- ± --- 1 PLACE ± --- ± --- ANGULAR ± ---°	MM ONLY	---	METRIC	
	DESCRIPTION	DRAWN BY	DATE	TITLE		
		JWP	1985/12/05	INSULATION DISPLACEMENT CONNECTOR(2.54)/.100 CRT		
	APPROVED BY	DATE	MOLEX INCORPORATED			
	J.DENNEHY	2006/05/29	SDA-7690S-*N*			
	MATERIAL NO.	DOCUMENT NO.	SHEET NO.			
			3 OF 3			
	DRAFT WHERE APPLICABLE MUST REMAIN WITHIN DIMENSIONS	SIZE	THIS DRAWING CONTAINS INFORMATION THAT IS PROPRIETARY TO MOLEX INCORPORATED AND SHOULD NOT BE USED WITHOUT WRITTEN PERMISSION			
		A3				

9 8 7 6 5 4 3 2 1