

# 7.92mm Contact Pitch High-Current Connectors for Internal Power Supplies (UL, C-UL and TÜV Listed)

## DF22 Series

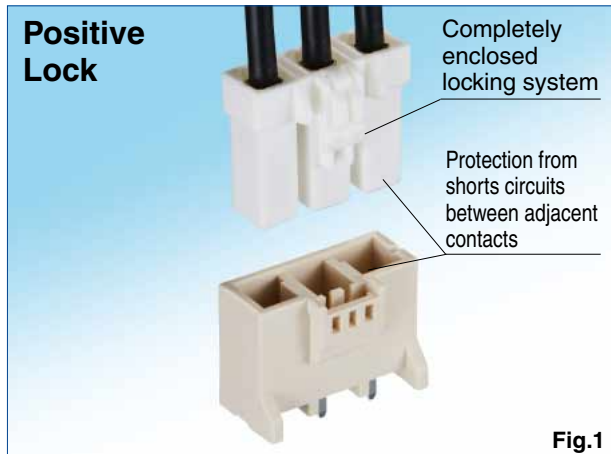
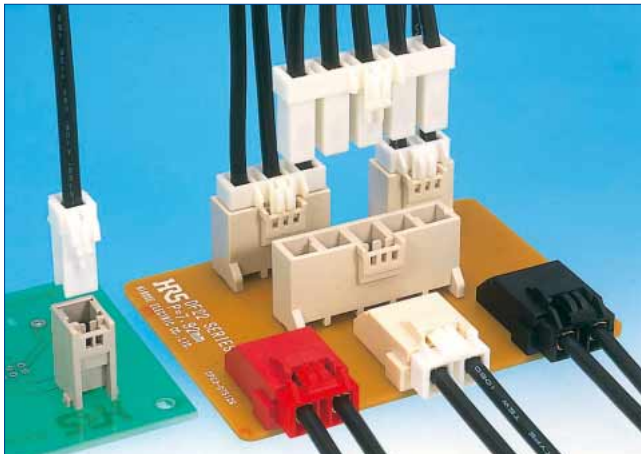


Fig.1

### ■ Features

#### 1. Rated up to 30A

Single position connector can carry current of 30A with 10 AWG conductor. Please refer to Table #1 for current ratings for multi-position connectors using other conductor sizes.

#### 2. Positive Locking Function

Reliable interior lock protects mated connectors from accidental disconnection. (Fig.1)

#### 3. Prevention of Incorrect Connections

To prevent incorrect connection when using multiple connectors having the same Number of contacts, 3 product types having different mating configurations are available. (Fig.2)

#### 4. Molded-in contact retention tabs

Handling of terminated contacts during the crimping is easier and avoids entangling of wires, since there are no protruding metal tabs.

#### 5. Prevention of incorrect board placement

Built-in posts assure correct connector placement and orientation on the board.

#### 6. Supports resin sealing

Allows potting up to 10mm.

#### 7. Prevention of Short Circuits Between Adjacent Contacts

Each Contact is completely surrounded by the housing wall electrically isolating it from adjacent contacts.

#### 8. Increased Retention Force of Crimped Contacts

Improved pull-out force design.

#### 9. Full Line of Crimp Socket Contacts

Hirose has released DF22C-\*S-7.92C which has easy to push/release latch design. and DF22B-\*S-7.92C/DF22C-\*S-7.92C which has improved electrical insulation properties.

#### 10. In-line Connections

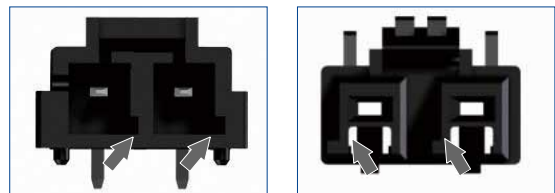
Wire-to-wire connection is also available. Space is saved with 2-row (2x2) layout for 4 pos.

#### 11. UL, C-UL, and TÜV Certified.

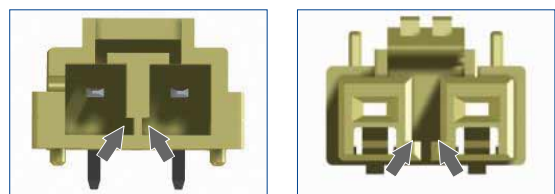
#### 12. Glow Wire compliance (Compliant with IEC 60695-2-11)

### Keying for multiple use

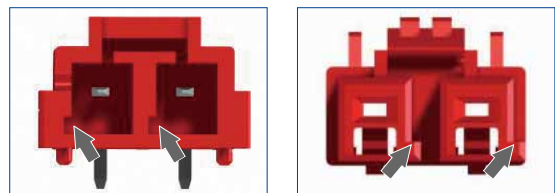
#### ●R Type (Guide key : right side, Color : black)



#### ●Standard Type (Guide key : inside, Color : natural)



#### ●L Type (Guide key : left side, Color : red)



\*The image on the left show header (the board dip side), the image on the right show the socket (cable side).

\*The guide key position is indicated in position facing the mating surface of the header.

Fig.2

## Product Specifications

Ratings	Current rating (Note 1)	No. of contacts	10 AWG	12 AWG	14 AWG	16 AWG	Operating temperature range	-55°C to 85°C (Note 2)
		1	30A	25A	20A	15A	Operating humidity range	20% to 80%
		2	25A	20A	18A	15A	Storage temperature range	-10°C to 60°C (Note 3)
		3	25A	20A	18A	15A		
		4	22A	18A	15A	13A	Storage humidity range	40% to 70% (Note 3)
5	22A	18A	15A	13A	UL/C-UL/TÜV File No. and Recognition No.			
	Voltage rating	AC/DC 1000V					UL : E52653	
							C-UL : E52653	
							TÜV : R9950703	

	Current Rating	Voltage Rating
UL	See table below	AC/DC 600V
C-UL	See table above (Δt=30°C)	AC/DC 600V
TÜV	See table above	AC/DC 600V

Current rating of UL Standards (Ambient temperature : 25°C) (Note 4)	No. of Contacts	10 AWG	12 AWG	14 AWG	16 AWG
	1	43A	38A	26A	21A
	2	38A	32A	23A	21A
	3	38A	32A	23A	21A
	4	33A	26A	22A	19A
5	33A	26A	22A	19A	

Item	Specifications	Conditions
1. Contact Resistance	No more than 5mΩ	Measured at 1mA and no higher than 20mV
2. Insulation Resistance	No less than 1,000MΩ	Measured at DC=1000V
3. Withstand Voltage	No flashover or breakdown	AC 2500 V is applied for 1 minute.
4. Contact Insertion and Extraction Forces	0.3N min., 5N max	Measured with a steel pin of 1.6×0.8±0.002 thickness
5. Durability	Contact resistance : no more than 10mΩ	30 mating cycles
6. Vibration Resistance	No electrical discontinuity of 1μs or greater	Frequency 10-55 Hz, half amplitude 0.75mm, 10 times in each of the three directions
7. Shock Resistance	No electrical discontinuity of 1μs or greater	Accelerated velocity : 490 m/s <sup>2</sup> for 11 ms, half-sine wave in 3 directions, 3 times for each direction
8. Moisture-Resistance	Contact resistance : no more than 10mΩ	Temperature : 40 ± 2°C ; humidity : 90 to 95%, left as it is for 96 hours
9. Temperature cycles	Contact resistance : no more than 10mΩ	(-55°C : 30 minutes → 5 to 35°C : 5 minutes → 85°C : 30 minutes → 5 to 35°C : 5 minutes) for 5 cycles
10. Solder heat Resistance	The resin parts should withstand the temperature and resist melting.	Flow : 260°C, 10 sec Hand soldering : temperature of soldering iron at 300°C for 3 seconds

- Note 1 : This is the maximum current rating while all pins are powered or used as all power lines. If you split the current over multiple lines, please factor in your own safety margin.
- Note 2 : Includes temperature rise caused by current flow.
- Note 3 : The storage condition refers to long-term storage of the product on the shelf before assembly. Please use the operating temperature for temporary storage such as pre-assembly and during shipping.
- Note 4 : Indicates the current that corresponds to the RTI value (temperature at which performance is halved) of the resin when the ambient temperature is 25°C. When referring to the rated current value of UL standard, please evaluate the product in the final set to confirm that there are no problems in use.

## Materials / Finish

Product	Part	Material	Finish	Remarks
Sockets	Insulator	Polyamide	Color : Natural white (Note)	UL94V-0
Crimp contacts	Contacts	High conductivity copper alloy	Tin-lead plated or Gold plated	—
Headers	Insulator	Polyamide (Glass reinforced)	Color : Natural beige (Note)	UL94V-0
	Contacts	High conductivity copper alloy	Tin-copper plated or Gold plated	—

Note : Standard Color, colors of the differing coupling forms are black for DF22R and red for DF22L.

## Product Number Structure

Refer to the chart below when determining the product specifications from the product number.

Please select from the product numbers listed in this catalog when placing orders.

### ●Socket, Header

**DF22 B L - 2 S - 7.92 C (\*\*)**

① ② ③ ④ ⑤ ⑥ ⑦

### ●Contacts

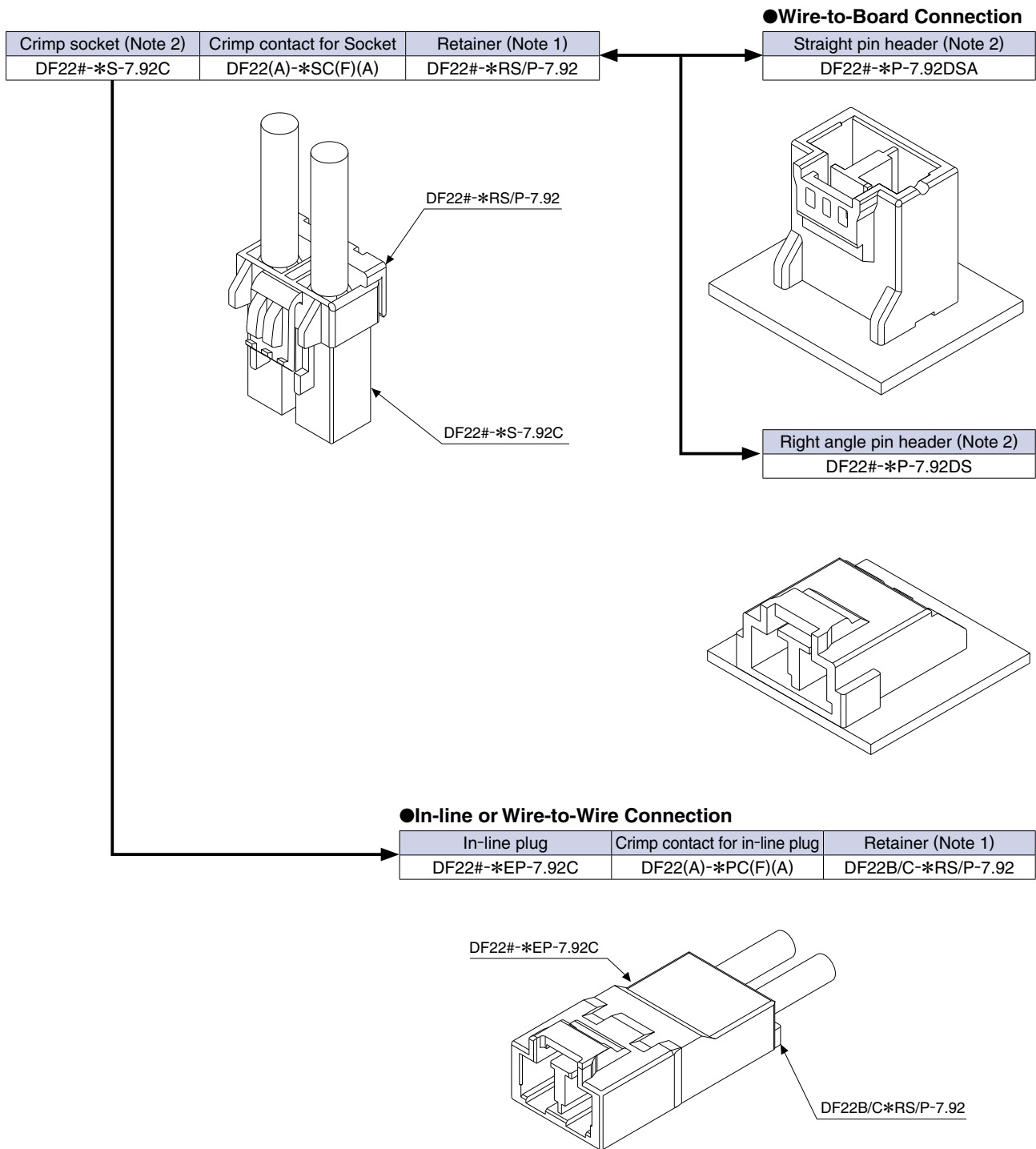
**DF22 A - 1416 SCF A**

① ⑧ ⑨ ⑩ ⑪

① Series name : DF22	④ Number of contacts : 1 to 5	⑧ Applicable Cable Blank : UL1430 A : UL1015
② Form Type Sockets Blank : Standard height, standard lock (Type I) B : Long type, standard lock (Type III) C : Long type, ergonomic lock (Type IV) In-line Plugs Blank : With panel stop A : Without panel stop	⑤ Connector type S : Socket DS : Double-row socket P : Header EP : In-line plug DEP : Double-row in-line plug RS/P : Retainer	⑨ Applicable Conductor 1416 : 14 to 16 AWG 1012 : 10 to 12 AWG
③ Guide key type Blank : Inside (Color: natural) R : Right side (Color: black) L : Left side (Color: red)	⑥ Contact pitch : 7.92 mm	⑩ Packaging SCF : Socket contacts / reel SC : Socket contacts / pack PCF : In-line plug contacts / reel PC : In-line plug contacts / pack
	⑦ Type of housing C : Crimp housing DSA : Straight header DS : Right-angle header No letter : Retainer	⑪ Plating specifications A : Gold plated Blank : Tin plated

## ■ Diagram of Connector Mating Combinations

Gold-plated products are standard for this product in order to support high current. Be sure to select a gold-plated product for use in an environment with temperature changes and vibration.

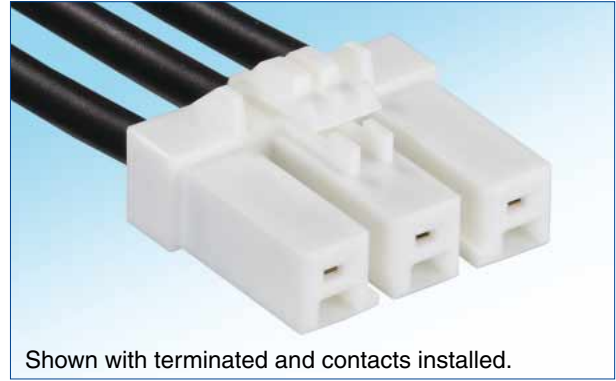


Note 1 : Since this product uses thick wires, a larger load is applied to the connector when inserting/extracting or routing the wires. Please use a retainer to reduce the load on the connector.

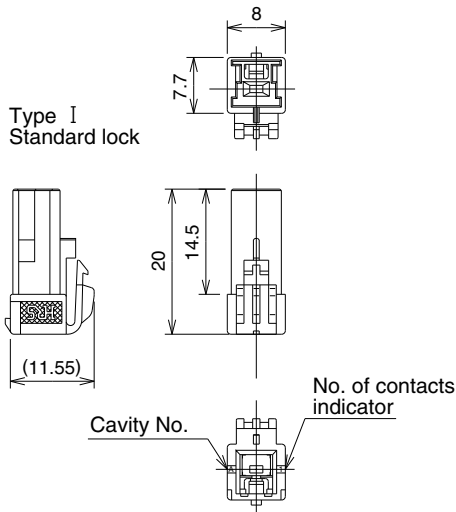
Crimp socket	Applicable Retainer	In-line plug	Applicable Retainer
DF22-*S-7.92C	DF22-*RS/P-7.92	DF22-*EP-7.92C	DF22B/C-*RS/P-7.92
DF22B-*S-7.92C	DF22B/C-*RS/P-7.92	DF22A-*EP-7.92C	
DF22C-*S-7.92C			

Note 2 : The key difference (L, R) product matches the mating connector of the same key (L, R).

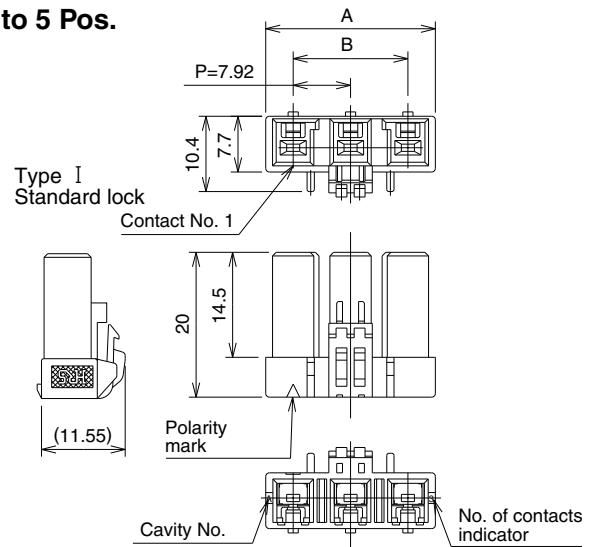
## ■ Crimp Sockets (Standard Height Type)



### 1 Pos.



### 2 to 5 Pos.



### ■ Type I

#### Height : Standard type, Standard lock

Note : The part number and HRS No. have changed to reflect the product form change of the 2 to 5 pos. types.

Standard Type (Guide Key : Inside, Color : White) Unit : mm

Part No.	HRS No.	No. of Contacts	A	B
DF22-1S-7.92C(28)	680-1012-2 28	1	8.00	—
DF22-2S-7.92C(28)	680-1004-4 28	2	15.50	7.92
DF22-3S-7.92C(28)	680-1005-7 28	3	23.42	15.84
DF22-4S-7.92C(28)	680-1006-0 28	4	31.34	23.76
DF22-5S-7.92C(28)	680-1007-2 28	5	39.26	31.68

R Type (Guide Key : Right Side, Color : Black) Unit : mm

Part No.	HRS No.	No. of Contacts	A	B
DF22R-1S-7.92C(28)	680-1026-7 28	1	8.00	—
DF22R-2S-7.92C(28)	680-1027-0 28	2	15.50	7.92
DF22R-3S-7.92C(28)	680-1028-2 28	3	23.42	15.84
DF22R-4S-7.92C(28)	680-1029-5 28	4	31.34	23.76
DF22R-5S-7.92C(28)	680-1030-4 28	5	39.26	31.68

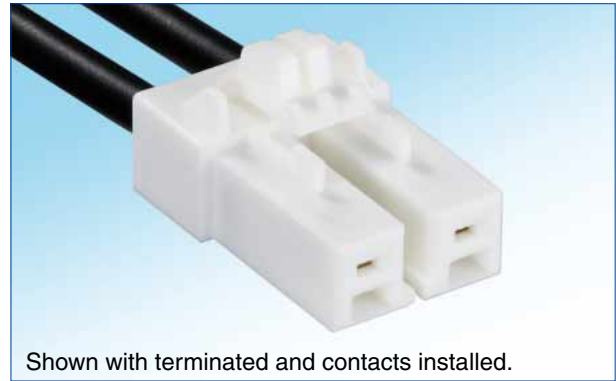
L Type (Guide Key : Left Side, Color : Red) Unit : mm

Part No.	HRS No.	No. of Contacts	A	B
DF22L-1S-7.92C(28)	680-1031-7 28	1	8.00	—
DF22L-2S-7.92C(28)	680-1032-0 28	2	15.50	7.92
DF22L-3S-7.92C(28)	680-1033-2 28	3	23.42	15.84
DF22L-4S-7.92C(28)	680-1034-5 28	4	31.34	23.76
DF22L-5S-7.92C(28)	680-1035-8 28	5	39.26	31.68

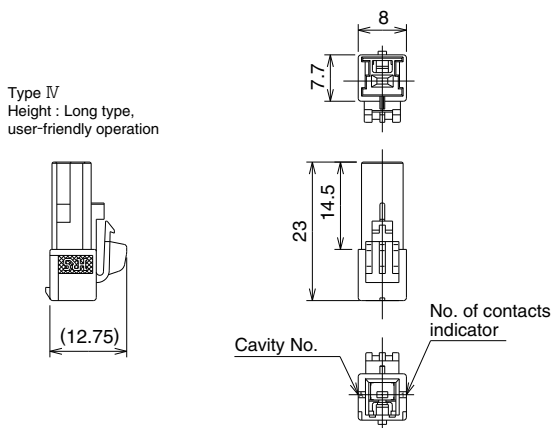
Note 1 : Bag packaging (100 pcs/pack). Order by number of packs.

Note 2 : Every even number position has a different locking design.

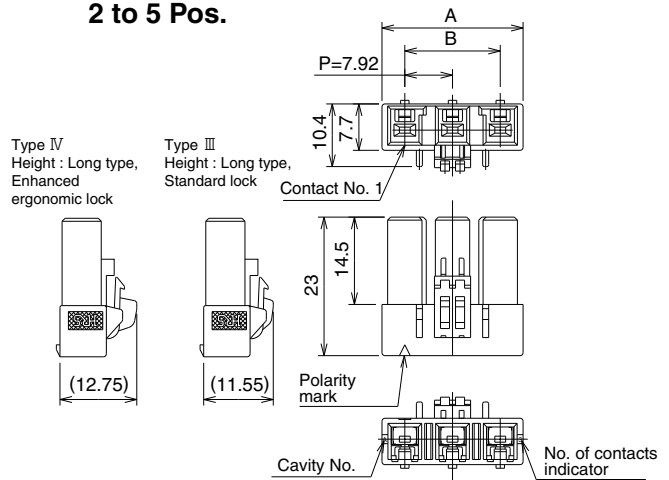
## ■ Crimp Sockets (Height, Long Type)



### 1 Pos.



### 2 to 5 Pos.



### ■ Type III

Height : Long type, Standard lock

Standard Type (Guide Key : Inside, Color : White) Unit : mm

Part No.	HRS No.	No. of Contacts	A	B
DF22B-2S-7.92C	680-1097-5	2	15.50	7.92
DF22B-3S-7.92C	680-1098-8	3	23.42	15.84
DF22B-4S-7.92C	680-1099-0	4	31.34	23.76
DF22B-5S-7.92C	680-1100-8	5	39.26	31.68

Note 1 : Bag packaging (100 pcs/pack). Order by number of packs.  
Note 2 : Every even number position has a different locking design.

### ■ Type IV

Height : Long type, Enhanced ergonomic lock

Standard Type (Guide Key : Inside, Color : White) Unit : mm

Part No.	HRS No.	No. of Contacts	A	B
DF22C-1S-7.92C	680-1101-0	1	8.00	—
DF22C-2S-7.92C	680-1102-3	2	15.50	7.92
DF22C-3S-7.92C	680-1103-6	3	23.42	15.84
DF22C-4S-7.92C	680-1104-9	4	31.34	23.76

R Type (Guide Key : Right Side, Color : Black) Unit : mm

Part No.	HRS No.	No. of Contacts	A	B
DF22CR-3S-7.92C	680-1130-9	3	23.42	15.84

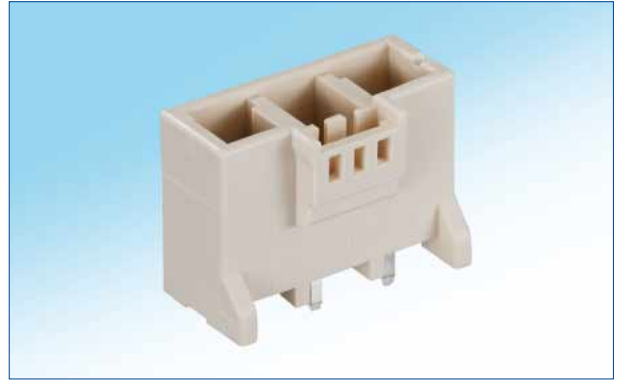
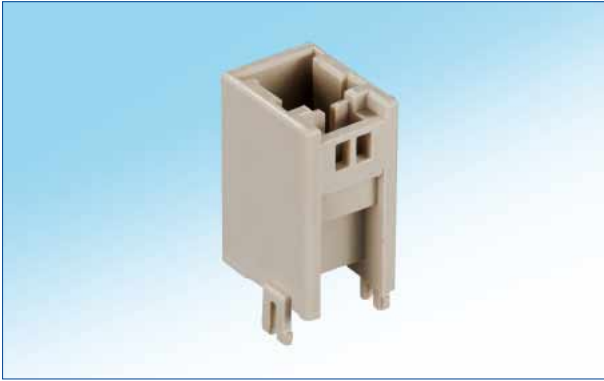
L Type (Guide Key : Left Side, Color : Red) Unit : mm

Part No.	HRS No.	No. of Contacts	A	B
DF22CL-1S-7.92C	680-1133-7	1	8.00	—
DF22CL-3S-7.92C	680-1135-2	3	23.42	15.84

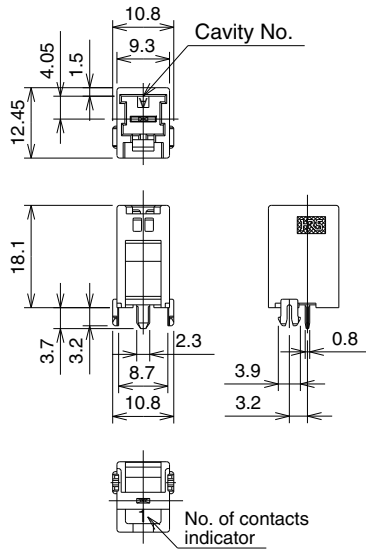
Note 1 : Bag packaging (100 pcs/pack). Order by number of packs.  
Note 2 : Every even number position has a different locking design.



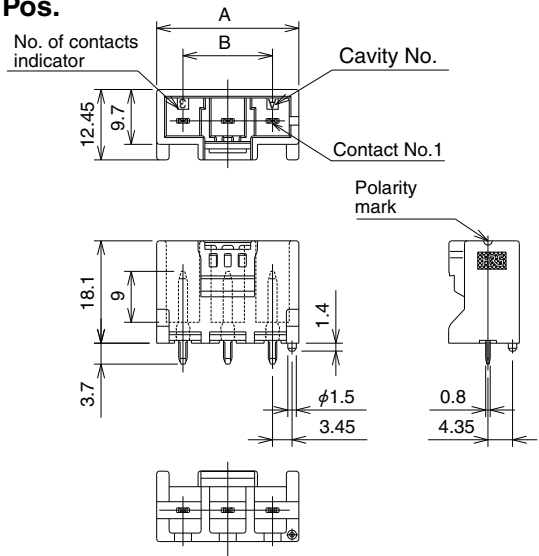
## ■ Straight Header



### 1 Pos.



### 2 to 5 Pos.



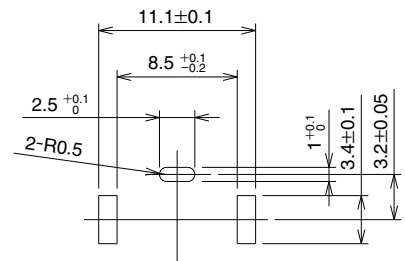
[Specification number]  
 (06) : Gold plated, bag packaging  
 (26) : Gold plated tray packaging (only 1 pos)  
 (05) : Tin-copper plated bag packaging  
 (25) : Tin-copper plated tray packaging (only 1 pos)

### Standard Type (Guide Key : Inside, Color : Natural Beige) Unit : mm

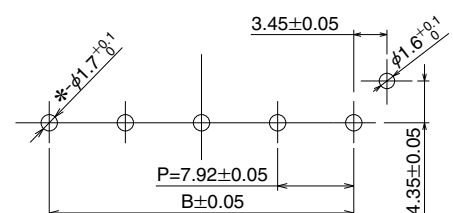
Part No.	HRS No.	No. of Contacts	A	B	Bag Packaging	Tray Packaging	Gold plated	Tin-copper plated
DF22-1P-7.92DSA(**)	680-1013-5 **	1	—	—	✓	✓	✓	✓
DF22-2P-7.92DSA(**)	680-1014-8 **	2	17.22	7.92	✓	—	✓	✓
DF22-3P-7.92DSA(**)	680-1015-0 **	3	25.14	15.84	✓	—	✓	✓
DF22-4P-7.92DSA(**)	680-1016-3 **	4	33.06	23.76	✓	—	✓	✓
DF22-5P-7.92DSA(**)	680-1017-6 **	5	40.98	31.68	✓	—	✓	✓

### ◆ Recommended PCB Layout (Board thickness : 1.6±0.1)

#### 1 Pos.



#### 2 to 5 Pos.



### R Type (Guide Key : Right Side, Color : Black) Unit : mm

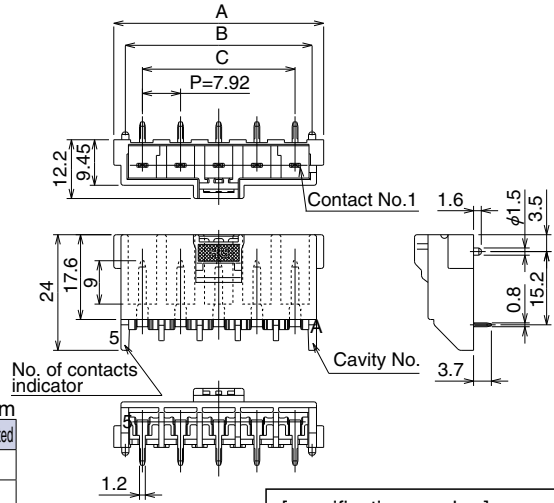
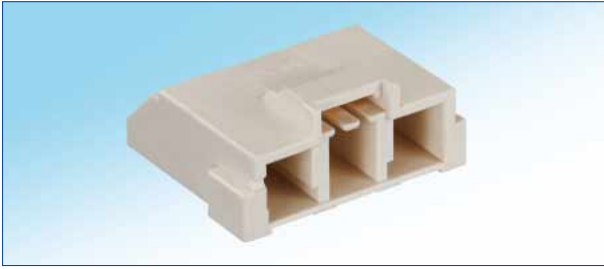
Part No.	HRS No.	No. of Contacts	A	B	Bag Packaging	Tray Packaging	Gold plated	Tin-copper plated
DF22R-1P-7.92DSA(**)	680-1036-0 **	1	—	—	✓	—	✓	✓
DF22R-2P-7.92DSA(**)	680-1037-3 **	2	17.22	7.92	✓	—	✓	✓
DF22R-3P-7.92DSA(**)	680-1038-6 **	3	25.14	15.84	✓	—	✓	✓
DF22R-4P-7.92DSA(**)	680-1039-9 **	4	33.06	23.76	✓	—	✓	✓
DF22R-5P-7.92DSA(**)	680-1040-8 **	5	40.98	31.68	✓	—	✓	✓

### L Type (Guide Key : Left Side, Color : Red) Unit : mm

Part No.	HRS No.	No. of Contacts	A	B	Bag Packaging	Tray Packaging	Gold plated	Tin-copper plated
DF22L-1P-7.92DSA(**)	680-1041-0 **	1	—	—	✓	—	✓	✓
DF22L-2P-7.92DSA(**)	680-1042-3 **	2	17.22	7.92	✓	—	✓	✓
DF22L-3P-7.92DSA(**)	680-1043-6 **	3	25.14	15.84	✓	—	✓	✓
DF22L-4P-7.92DSA(**)	680-1044-9 **	4	33.06	23.76	✓	—	✓	✓
DF22L-5P-7.92DSA(**)	680-1045-1 **	5	40.98	31.68	✓	—	✓	✓

Note 1 : Bag packaging (100 pcs/pack). Order by number of packs.  
 Note 2 : Tray packaging (150 pcs/tray). Order by number of 150.  
 Note 3 : Every even number position has a different locking design.

## Right Angle Header



Standard Type (Guide Key : Inside, Color : Natural Beige) Unit : mm

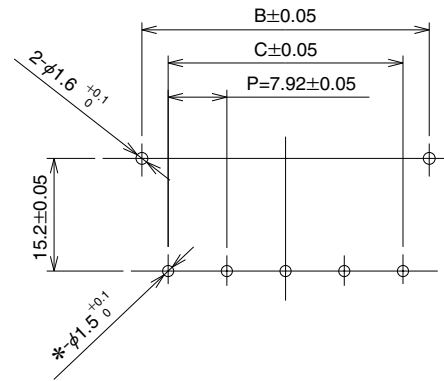
Part No.	HRS No.	No. of Contacts	A	B	C	Gold plated	Tin-copper plated
DF22-2P-7.92DS(**)	680-1008-5 **	2	19.80	15.00	7.92	(36)	(35)
DF22-3P-7.92DS(**)	680-1009-8 **	3	27.72	22.92	15.84	(06)	(05)
DF22-4P-7.92DS(**)	680-1010-7 **	4	35.64	30.84	23.76	(06)	(05)
DF22-5P-7.92DS(**)	680-1011-0 **	5	43.56	38.76	31.68	(06)	(05)

[specification number]  
 (06), (36) : Gold plated  
 (05), (35) : Tin-copper plated

R Type (Guide Key : Right Side, Color : Black) Unit : mm

Part No.	HRS No.	No. of Contacts	A	B	C	Gold plated	Tin-copper plated
DF22R-2P-7.92DS(**)	680-1018-9 **	2	19.80	15.00	7.92	(06)	(05)
DF22R-3P-7.92DS(**)	680-1019-1 **	3	27.72	22.92	15.84	(06)	(05)
DF22R-4P-7.92DS(**)	680-1020-0 **	4	35.64	30.84	23.76	(06)	(05)
DF22R-5P-7.92DS(**)	680-1021-3 **	5	43.56	38.76	31.68	(06)	(05)

## Recommended PCB Layout (Board thickness : 1.6±0.1)



L Type (Guide Key : Left Side, Color : Red) Unit : mm

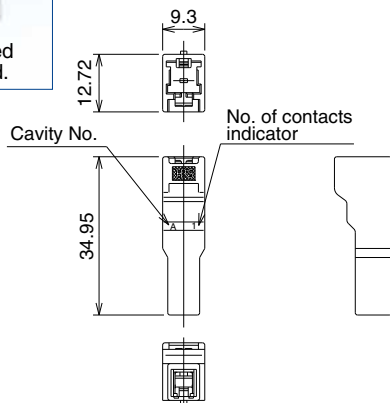
Part No.	HRS No.	No. of Contacts	A	B	C	Gold plated	Tin-copper plated
DF22L-2P-7.92DS(**)	680-1022-6 **	2	19.80	15.00	7.92	(06)	(05)
DF22L-3P-7.92DS(**)	680-1023-9 **	3	27.72	22.92	15.84	(06)	(05)
DF22L-4P-7.92DS(**)	680-1024-1 **	4	35.64	30.84	23.76	(06)	(05)
DF22L-5P-7.92DS(**)	680-1025-4 **	5	43.56	38.76	31.68	(06)	(05)

Note 1 : Bag packaging (100 pcs/pack). Order by number of packs.  
 Note 2 : Every even number position has a different locking design.

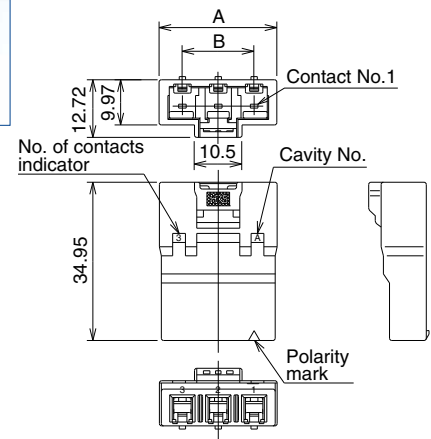
## In-line Plug



1 Pos.



2, 3 Pos.



Standard Type (Guide Key : Inside, Color : Natural Beige) Unit : mm

Part No.	HRS No.	No. of Contacts	A	B
DF22A-1EP-7.92C	680-1053-0	1	9.30	—
DF22A-2EP-7.92C	680-1054-2	2	18.00	7.92
DF22A-3EP-7.92C	680-1055-5	3	26.00	15.84

R Type (Guide Key : Right Side, Color : Black) Unit : mm

Part No.	HRS No.	No. of Contacts	A	B
DF22AR-2EP-7.92C	680-1069-0	2	18.00	7.92
DF22AR-3EP-7.92C	680-1070-9	3	26.00	15.84

L Type (Guide Key : Left Side, Color : Red) Unit : mm

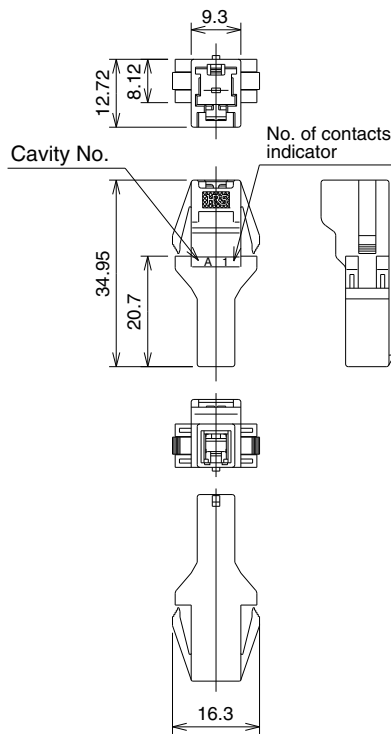
Part No.	HRS No.	No. of Contacts	A	B
DF22AL-2EP-7.92C	680-1074-0	2	18.00	7.92

Note 1 : Bag packaging (100 pcs/pack). Order by number of packs.  
 Note 2 : Every even number position has a different locking design.

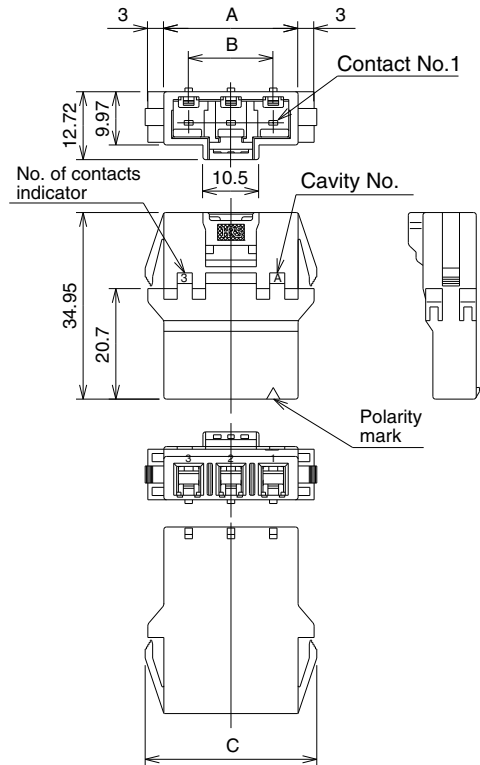
## In-line Plug (Panel Lock Type)



1 Pos.



2, 3 Pos.



Standard Type (Guide Key : Inside, Color : White) Unit : mm

Part No.	HRS No.	No. of Contacts	A	B	C
DF22-1EP-7.92C	680-1048-0	1	9.30	—	16.30
DF22-2EP-7.92C	680-1049-2	2	17.22	7.92	24.22
DF22-3EP-7.92C	680-1050-1	3	25.14	15.84	32.14

R Type (Guide Key : Right Side, Color : Black) Unit : mm

Part No.	HRS No.	No. of Contacts	A	B	C
DF22R-2EP-7.92C	680-1059-6	2	17.22	7.92	24.22
DF22R-3EP-7.92C	680-1060-5	3	25.14	15.84	32.14

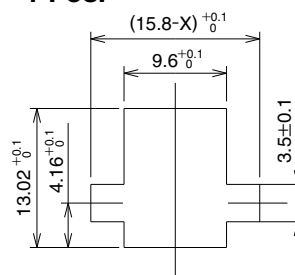
L Type (Guide Key : Left Side, Color : Red) Unit : mm

Part No.	HRS No.	No. of Contacts	A	B	C
DF22L-1EP-7.92C	680-1063-3	1	9.30	—	16.30
DF22L-2EP-7.92C	680-1064-6	2	17.22	7.92	24.22

Note 1 : Bag packaging (100 pcs/pack). Order by number of packs.  
 Note 2 : Every even number position has a different locking design.

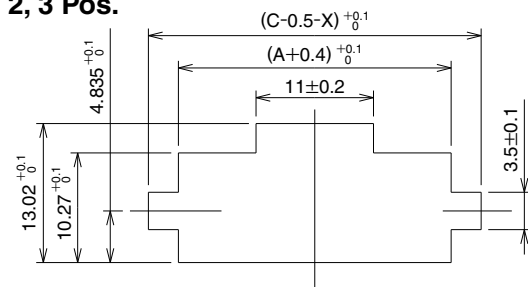
## Panel Cutout

1 Pos.



Panel thickness	X
2.0	0.48
1.6	0.96
1.2	1.44
0.8	1.92

2, 3 Pos.



Note 1 : Please ensure when mating this connector that the tapered portions of the panel are facing outward towards the receptacle connector's mating interface.



## In-line Double-row Socket



Standard Type (Guide Key : Inside, Color : White) Unit : mm

Part No.	HRS No.	No. of Contacts	Lock type
DF22B-4DS-7.92C	680-1142-8	4	Standard lock

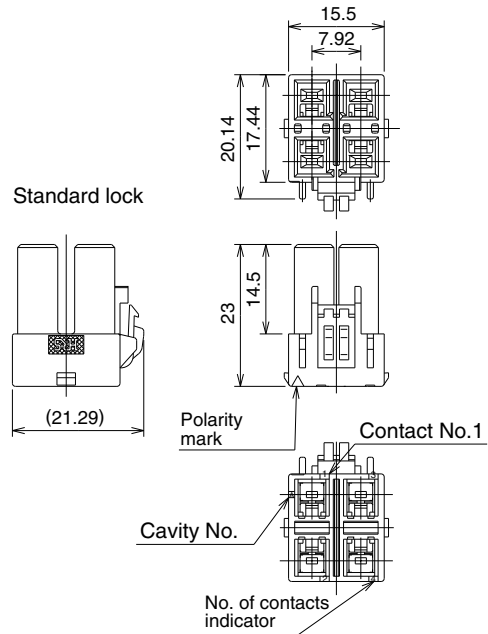
R Type (Guide Key : Right Side, Color : Black) Unit : mm

Part No.	HRS No.	No. of Contacts	Lock type
DF22BR-4DS-7.92C	680-1156-2	4	Standard lock

L Type (Guide Key : Left Side, Color : Red) Unit : mm

Part No.	HRS No.	No. of Contacts	Lock type
DF22BL-4DS-7.92C	680-1161-2	4	Standard lock

Note : Bag packaging (100 pcs/pack). Order by number of packs.



## In-line Double-row Plug



Standard Type (Guide Key : Inside, Color : White) Unit : mm

Part No.	HRS No.	No. of Contacts	Connector type
DF22-4DEP-7.92C	680-1051-4	4	Panel lock type
DF22A-4DEP-7.92C	680-1056-8	4	Without panel lock function

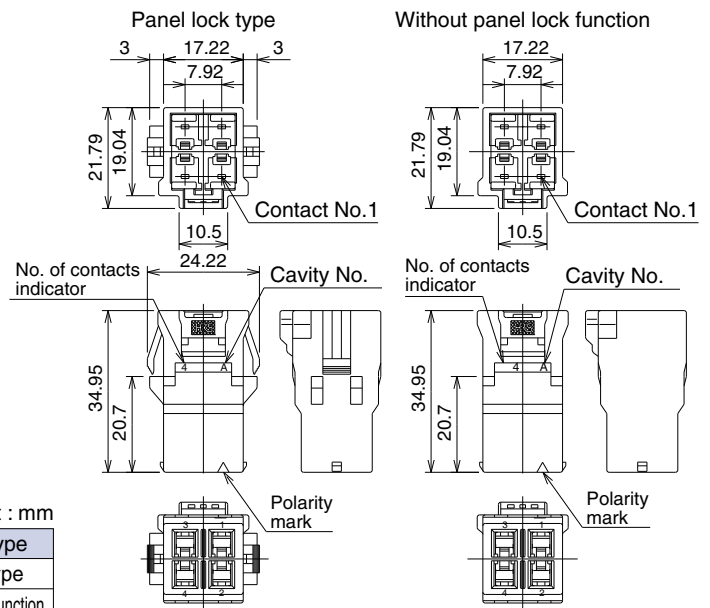
R Type (Guide Key : Right Side, Color : Black) Unit : mm

Part No.	HRS No.	No. of Contacts	Connector type
DF22R-4DEP-7.92C	680-1170-3	4	Panel lock type

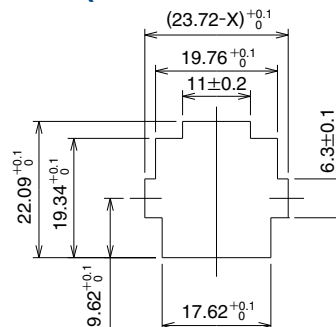
L Type (Guide Key : Left Side, Color : Red) Unit : mm

Part No.	HRS No.	No. of Contacts	Connector type
DF22L-4DEP-7.92C	680-1175-7	4	Panel lock type
DF22AL-4DEP-7.92C	680-1189-1	4	Without panel lock function

Note : Bag packaging (100 pcs/pack). Order by number of packs.



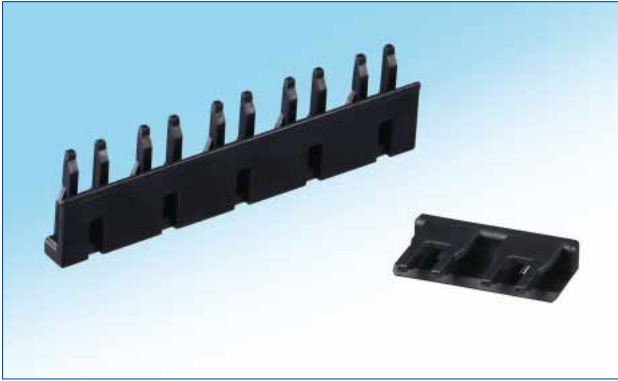
## Recommended Panel Cutout (Panel mount type)



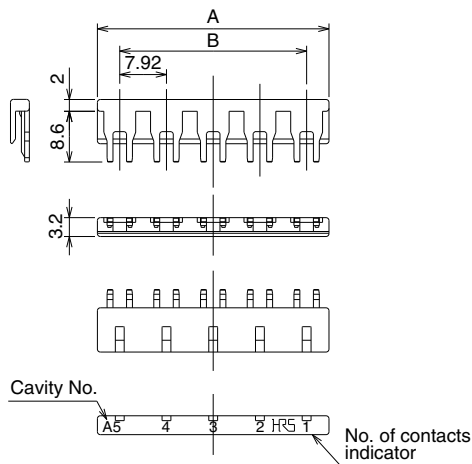
Panel thickness	X
2.0	0.48
1.6	0.96
1.2	1.44
0.8	1.92

Note 1 : Please ensure when mating this connector that the tapered portions of the panel are facing outward towards the receptacle connector's mating interface.

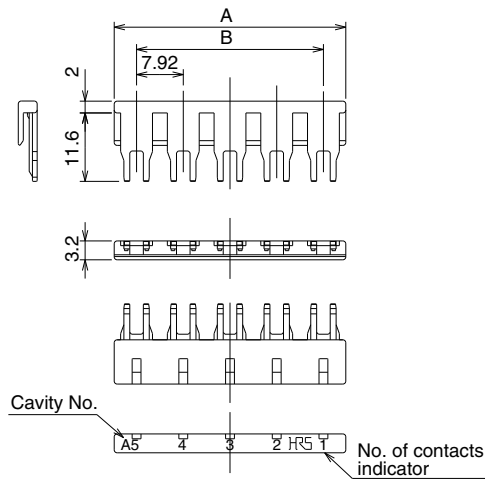
## Retainer



For Standard height, standard lock (Type I)



For Long type, standard lock (Type III)  
Long type, enhanced ergonomic lock (Type IV)



Unit : mm

Part No.	HRS No.	No. of Contacts	A	B
DF22-1RS/P-7.92	680-1213-4	1	7.04	—
DF22-2RS/P-7.92	680-1209-7	2	15.50	7.92
DF22-3RS/P-7.92	680-1210-6	3	23.42	15.84
DF22-4RS/P-7.92	680-1211-9	4	31.34	23.76
DF22-5RS/P-7.92	680-1212-1	5	39.26	31.68
Applicable Socket	DF22-*S-7.92C For Standard height, standard lock (Type I) * indicates number of contacts.			

Note : Bag packaging (100 pcs/pack). Order by number of packs.

Unit : mm

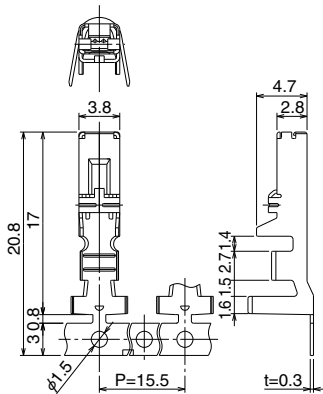
Part No.	HRS No.	No. of Contacts	A	B
DF22B/C-1RS/P-7.92	680-1214-0	1	7.04	—
DF22B/C-2RS/P-7.92	680-1200-2	2	15.50	7.92
DF22B/C-3RS/P-7.92	680-1201-5	3	23.42	15.84
DF22B/C-4RS/P-7.92	680-1202-8	4	31.34	23.76
DF22B/C-5RS/P-7.92	680-1203-0	5	39.26	31.68
Applicable Socket	DF22B-*S-7.92C For Long type, standard lock (Type III) DF22C-*S-7.92C Long type, enhanced ergonomic lock (Type IV) DF22-*EP-7.92C DF22A-*EP-7.92C * indicates number of contacts.			

Note 1 : Bag packaging (100 pcs/pack). Order by number of packs.

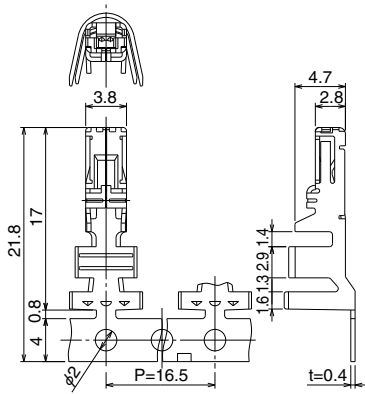
Note 2 : When connecting retainer into the plug housing, please note the cavity numbers will line up numerically, but the retainer cavity numbers will be upside down compared to the plug cavity numbers.

## ■Crimp Contact for Socket

For 14 to 16 AWG



For 10 to 12 AWG



●Strip length  
3.5 to 4.5mm

◆Reel Contact ※Applicable Tool : Applicator

Part No.	HRS No.	Finish	Applicable cable					Quantity
			UL style	Wire size	Wire Construction	Sectional area	Jacket diameter	
DF22-1416SCFA	680-1085-6	Gold plated	1430	14 AWG	41cores./0.26mm	2.18mm <sup>2</sup>	2.4 to 3.0mm	2500
				16 AWG	26cores./0.254mm	1.32mm <sup>2</sup>		
DF22-1416SCF	680-1000-3	Tin plated	1430	14 AWG	41cores./0.26mm	2.18mm <sup>2</sup>	2.4 to 3.0mm	2500
				16 AWG	26cores./0.254mm	1.32mm <sup>2</sup>		
DF22A-1416SCFA	680-1087-1	Gold plated	1015	14 AWG	41cores./0.26mm	2.18mm <sup>2</sup>	3.0 to 3.8mm	2000
				16 AWG	26cores./0.254mm	1.32mm <sup>2</sup>		
DF22A-1416SCF	680-1002-9	Tin plated	1015	14 AWG	41cores./0.26mm	2.18mm <sup>2</sup>	3.0 to 3.8mm	2000
				16 AWG	26cores./0.254mm	1.32mm <sup>2</sup>		
DF22A-1012SCFA	680-1106-4	Gold plated	1015	10 AWG	104cores./0.26mm	5.52mm <sup>2</sup>	3.6 to 4.9mm	2000
				12 AWG	65cores./0.26mm	3.45mm <sup>2</sup>		
DF22A-1012SCF	680-1089-7	Tin plated	1015	10 AWG	104cores./0.26mm	5.52mm <sup>2</sup>	3.6 to 4.9mm	2000
				12 AWG	65cores./0.26mm	3.45mm <sup>2</sup>		

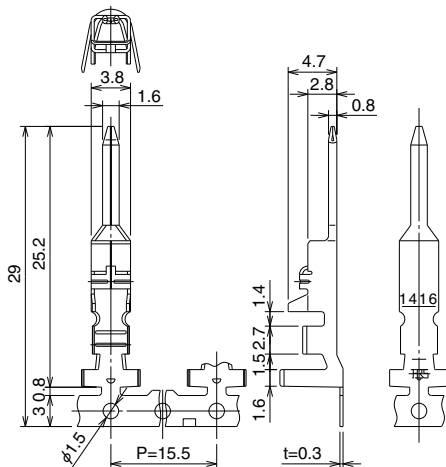
◆Bulk Contact (100/pack) ※Applicable Tool : Manual ID tool

Part No.	HRS No.	Finish	Applicable cable				
			UL style	Wire size	Wire Construction	Sectional area	Jacket diameter
DF22-1416SCA	680-1190-0	Gold plated	1430	16 AWG	26cores./0.254mm	1.32mm <sup>2</sup>	2.6mm
DF22-1416SC	680-1001-6	Tin plated	1430	16 AWG	26cores./0.254mm	1.32mm <sup>2</sup>	2.6mm
DF22A-1416SCA	680-1191-0	Gold plated	1015	14 AWG	41cores./0.26mm	2.18mm <sup>2</sup>	3.7mm
				16 AWG	26cores./0.254mm	1.32mm <sup>2</sup>	3.2mm
DF22A-1416SC	680-1003-1	Tin plated	1015	14 AWG	41cores./0.26mm	2.18mm <sup>2</sup>	3.7mm
				16 AWG	26cores./0.254mm	1.32mm <sup>2</sup>	3.2mm
DF22A-1012SCA	680-1107-7	Gold plated	1015	10 AWG	104cores./0.26mm	5.52mm <sup>2</sup>	4.69mm
				12 AWG	65cores./0.26mm	3.45mm <sup>2</sup>	4.04mm
DF22A-1012SC	680-1090-6	Tin plated	1015	10 AWG	104cores./0.26mm	5.52mm <sup>2</sup>	4.69mm
				12 AWG	65cores./0.26mm	3.45mm <sup>2</sup>	4.04mm

Note 1 : The conductor of applicable wire is tin plated annealed copper.

Note 2 : When using other than the applicable wire, contact your nearest Hirose representative.

## ■Crimp Contact for In-line Plug



●Strip length  
3.5 to 4.5mm

◆Reel Contact ※Applicable Tool : Applicator

Part No.	HRS No.	Finish	Applicable cable					Quantity
			UL style	Wire size	Wire Construction	Sectional area	Jacket diameter	
DF22-1416PCFA	680-2002-4	Gold plated	1430	14 AWG	41cores./0.26mm	2.18mm <sup>2</sup>	2.4 to 3.0mm	2500
				16 AWG	26cores./0.254mm	1.32mm <sup>2</sup>		
DF22-1416PCF	680-1078-0	Tin plated	1430	14 AWG	41cores./0.26mm	2.18mm <sup>2</sup>	2.4 to 3.0mm	2500
				16 AWG	26cores./0.254mm	1.32mm <sup>2</sup>		
DF22A-1416PCFA	680-1194-0	Gold plated	1015	14 AWG	41cores./0.26mm	2.18mm <sup>2</sup>	3.0 to 3.8mm	2000
				16 AWG	26cores./0.254mm	1.32mm <sup>2</sup>		
DF22A-1416PCF	680-1079-3	Tin plated	1015	14 AWG	41cores./0.26mm	2.18mm <sup>2</sup>	3.0 to 3.8mm	2000
				16 AWG	26cores./0.254mm	1.32mm <sup>2</sup>		

◆Bulk Contact (100/pack) ※Applicable Tool : Manual ID tool

Part No.	HRS No.	Finish	Applicable cable				
			UL style	Wire size	Wire Construction	Sectional area	Jacket diameter
DF22-1416PCA	680-1192-0	Gold plated	1430	16 AWG	26cores./0.254mm	1.32mm <sup>2</sup>	2.6mm
DF22-1416PC	680-1080-2	Tin plated	1430	16 AWG	26cores./0.254mm	1.32mm <sup>2</sup>	2.6mm
				14 AWG	41cores./0.26mm	2.18mm <sup>2</sup>	3.7mm
DF22A-1416PCA	680-1193-0	Gold plated	1015	16 AWG	26cores./0.254mm	1.32mm <sup>2</sup>	3.2mm
				14 AWG	41cores./0.26mm	2.18mm <sup>2</sup>	3.7mm
DF22A-1416PC	680-1081-5	Tin plated	1015	16 AWG	26cores./0.254mm	1.32mm <sup>2</sup>	3.2mm

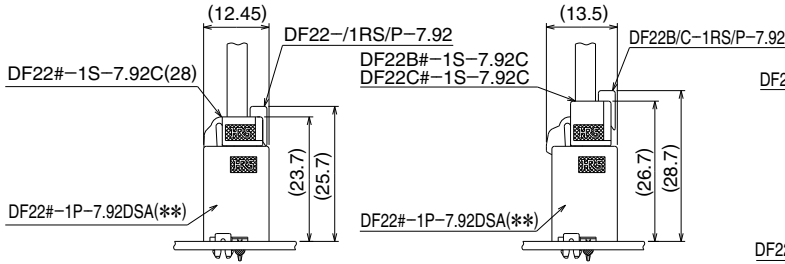
Note 1 : The conductor of applicable wire is tin plated annealed copper.

Note 2 : When using other than the applicable wire, contact your nearest Hirose representative.

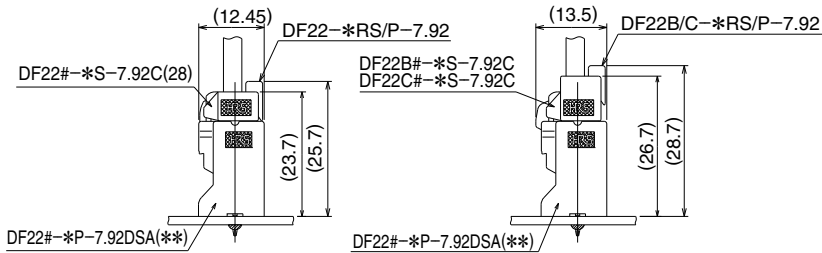
## ◆ Mated Dimensions

### ● Socket to Straight Header Connection

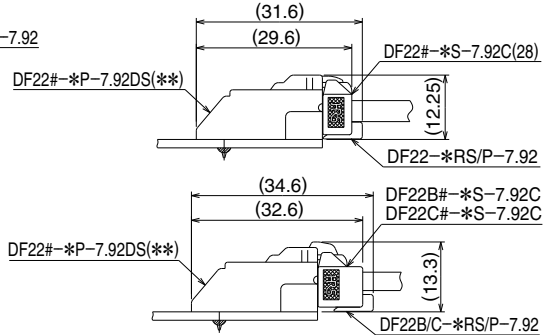
1 Pos.



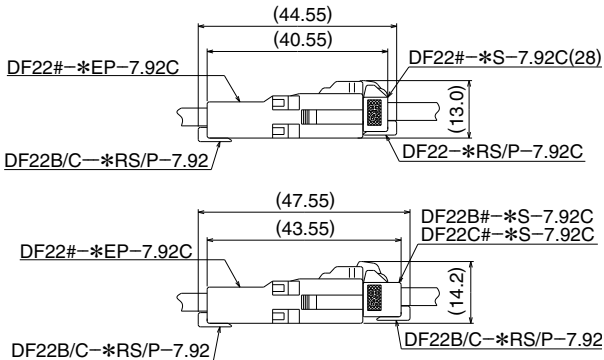
2 to 5 Pos.



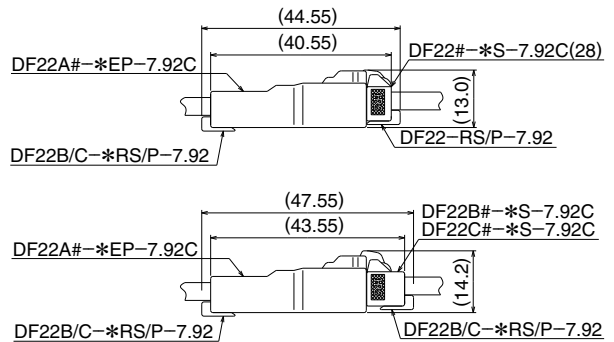
### ● Socket to Right Angle Header Connection



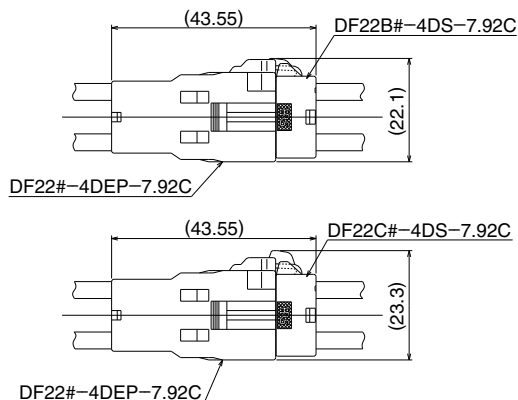
### ● Socket to In-line Plug (Panel lock type) Connection



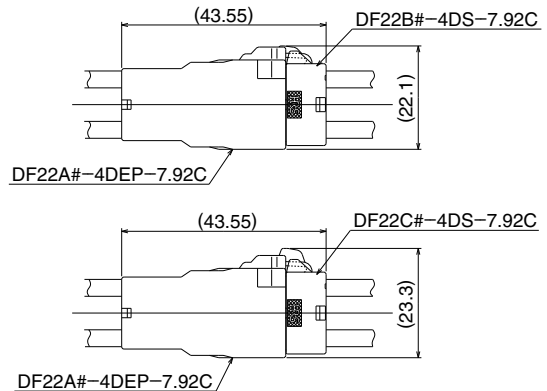
### ● Socket to In-line Plug Connection



### ● In-line Double-row socket to In-line Double-row Plug (Panel lock type) Connection



### ● In-line Double-row socket to In-line Double-row Plug Connection



## Tools

Type	Part No.	HRS No.	Applicable Wire (Note 7)	Applicable Contact (Note 6)
Hirose Press Unit	CM-105C	901-0001-0	—	DF22/DF22A-1416SCF/PCF/SCFA/PCFA
Applicators Used in Hirose Press Unit	AP105-DF22-1416	901-4576-7	UL1430	DF22-1416SCF/PCF/SCFA/PCFA
	AP105-DF22A-1416	901-4578-2	UL1015	DF22A-1416SCF/PCF/SCFA/PCFA
Applicators Used in Press Units of Other Japanese Companies (Note 2)	AP109A-DF22-1416	901-4579-5	UL1430	DF22-1416SCF/PCF/SCFA/PCFA
	AP109A-DF22A-1416	901-4580-4	UL1015	DF22A-1416SCF/PCF/SCFA/PCFA
	AP109A-DF22A-1012	901-4582-0	UL1015	DF22A-1012SCF/SCFA (Note 1)
Applicator Manufactured by Japan Automatic Machine (Note 3)	CHS893800H-UP	—	UL1430	DF22-1416SCF/PCF/SCFA/PCFA
	CHS893900H-UP	—	UL1015	DF22A-1416SCF/PCF/SCFA/PCFA
	QHS895800H-UP	—	UL1015	DF22A-1012SCF/SCFA (Note 1)
Crimping Tools	HT104/DF22-1416	550-0285-0	16 AWG : UL1430	DF22-1416SC/PC/SCA/PCA
	HT104/DF22A-1416	550-0286-2	16, 14 AWG : UL1015	DF22A-1416SC/PC/SCA/PCA
	HT103/DF22A-1012	550-0288-8	10, 12 AWG : UL1015	DF22A-1012SC/SCA

Note 1 : When crimping DF22A-1012SCF/SCFA use a press of at least 3.5 tons.

Note 2 : Applicators compatible with other Japanese companies (AP109A Applicator) cannot be used with the Hirose Press Unit CM-105C. An attachment is required when using the applicator. Please contact the press unit manufacturer for inquiries on attachments.

Note 3 : Please contact Japan Automatic Machine (J.A.M.) via their homepage regarding inquiries on the applicator or crimping defects. (URL: <http://www.jam-net.co.jp>)

Note 4 : Problems caused by tools other than those specified are not covered by the warranty.

Note 5 : Crimping should be carried out based on the "Crimping Quality Standards" and "Crimping Conditions Table."

Note 6 : Applicable contacts are limited to those listed in the table.

Note 7 : Applicable cables are limited to those listed in the table.

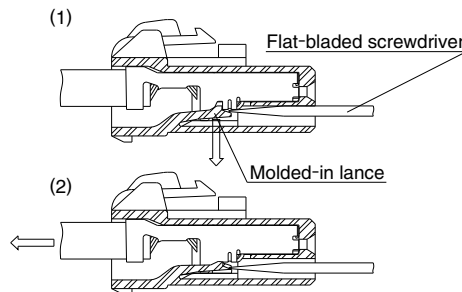
## Contact Extraction

■ Contact extraction tool : Flat-bladed screwdriver, 1.4mm blade width

■ Intended crimp Contacts : DF22-1416SC(F), DF22-1416SC(F)A, DF22A-1416SC(F), DF22A-1416SC(F)A, DF22A-1012SC(F), DF22A-1012SC(F)A, DF22-1416PC(F), DF22-1416PC(F)A, DF22A-1416PC(F), and DF22A-1416PC(F)A

■ Work Method

(Housing Cross-Sectional Diagram)



1. Refer to the drawing No. 1. Insert correct size screwdriver in the housing against the molded-in lance. Push down the lance as shown.

2. Assure that the lance is deflected to release the contact and pull-out wire with the crimped contact.

Note : Please do not reuse the repaired housing. Replace it to new one.



### Caution

There are parts on the crimp contact that can cause injuries, please use caution when unmating the contacts.




## ◆Precautions


1. Gold-plated products are standard for this product in order to support high current. Be sure to select a gold-plated product for use in an environment with temperature changes and vibration.
2. If this product is used outside the specifications, evaluate it in the final set to confirm that there are no problems in use.
3. No outdoor use.
4. Notification for harness assembly

<p>1) When inserting the crimping terminal to the crimping socket, please do not tilt the crimping terminal or twist the cable. Insertion at tilted angles or twisting the cable may cause deformation of the crimping terminal or crimping socket.</p>	
<p>2) After inserting the crimping terminal to the crimping socket, please make sure that the lance has been hooked with pulling the cable lightly. When checking the hook, please avoid bending the cable for preventing terminal drop-off.</p>	
<p>3) Bundle cables/Cable Cables Recommend bundle and strip position of cables are 100mm or more. Bundling close to the connectors may cause terminal drop-off, breaking cables and unstable connection.</p>	

## 5. Notification for Insertion Extraction

<p> 1) Please insert(extract) the crimping socket straight to the mating connector. Insertion(extraction) at tilted angles applies load concentration to the connector end and may cause deformation (at connection area, socket and header case, etc). There is firing risk using this kind of deformed connector.</p>
<div style="display: flex; justify-content: space-around;"> <div style="text-align: center;"> <p><b>Insertion</b></p> </div> <div style="text-align: center;"> <p><b>Extraction</b></p> </div> </div>
<p>2) When it is hard to extract, please lightly insert the connector beforehand and then pull it with releasing the lock. Forced extraction has a risk of connector breakage.</p>

## 6. Notification of wiring

<p> 1) When using a thick cable, short cable length and bending close to the connector end, these load concentration may cause deformation. Please note that there is firing risk using deformed connector. When installing, please refrain from stress concentration such as cable bending close to the connector end or cable twisting.</p>	
--	--

## ◆Current Ratings

The current rating listed in the catalog indicates the allowable current per contact. However, in applications requiring current transmission through all the contacts, about one-third of the listed rating should be applied. When the current rating for the connector is 3A, and the allowable current of the conductor being used is 1A, then rating of 1A will be used for the entire assembly. The connectors should not be mating / unmating when the electrical current is being applied. Hot swap should not be performed.

## MEMO :

A series of horizontal dashed lines for writing a memo.

**USA:**

**HIROSE ELECTRIC (U.S.A.), INC. HEADQUARTERS CHICAGO OFFICE**  
 2300 Warrenville Road, Suite 150,  
 Downers Grove, IL 60515  
 Phone : +1-630-282-6700  
<http://www.hirose.com/us/>

**USA:**

**HIROSE ELECTRIC (U.S.A.), INC. SAN JOSE OFFICE**  
 2841 Junction Ave, Suite 200  
 San Jose, CA. 95134  
 Phone : +1-408-253-9640  
 Fax : +1-408-253-9641  
<http://www.hirose.com/us/>

**USA:**

**HIROSE ELECTRIC (U.S.A.), INC. DETROIT OFFICE (AUTOMOTIVE)**  
 17197 N. Laurel Park Drive, Suite 253,  
 Livonia, MI 48152  
 Phone : +1-734-542-9963  
 Fax : +1-734-542-9964  
<http://www.hirose.com/us/>

**USA:**

**HIROSE ELECTRIC (U.S.A.), INC. BOSTON OFFICE**  
 300 Brickstone Square Suite 201,  
 Andover, MA 01810  
 Phone : +1-978-662-5255

**THE NETHERLANDS:**

**HIROSE ELECTRIC EUROPE B.V.**  
 Hogehillweg #8 1101 CC Amsterdam Z-0  
 Phone : +31-20-6557460  
 Fax : +31-20-6557469  
<http://www.hirose.com/eu/>

**GERMANY:**

**HIROSE ELECTRIC EUROPE B.V. GERMAN BRANCH**  
 Schoenbergstr. 20, 73760 ostfildern  
 Phone : +49-711-456002-1  
 Fax : +49-711-456002-299  
<http://www.hirose.com/eu/>

**GERMANY:**

**HIROSE ELECTRIC EUROPE B.V. NUREMBERG OFFICE**  
 Neumeyerstrasse 22-26, 90411 Nurnberg  
 Phone : +49-911 32 68 89 63  
 Fax : +49-911 32 68 89 69  
<http://www.hirose.com/eu/>

**GERMANY:**

**HIROSE ELECTRIC EUROPE B.V. HANOVER OFFICE**  
 Bayernstr. 3, Haus C 30855 Langenhagen, Germany  
 Phone : +49-511 97 82 61 30  
 Fax : +49-511 97 82 61 35  
<http://www.hirose.com/eu/>

**FRANCE:**

**HIROSE ELECTRIC EUROPE B.V. PARIS OFFICE**  
 130 Avenue Joseph Kessel, Bat E, 78960  
 Voisins le Bretonneux, France  
 Phone : +33-1-85764886  
 Fax : +33-1-85764823  
<http://www.hirose.com/eu/>

**UNITED KINGDOM:**

**HIROSE ELECTRIC EUROPE BV (UK BRANCH)**  
 4 Newton Court, Kelvin Drive, Knowlhill,  
 Milton Keynes, MK5 8NH  
 Phone : +44-1908 202050  
 Fax : +44-1908 202058  
<http://www.hirose.com/eu/>

**CHINA:**

**HIROSE ELECTRIC (CHINA) CO., LTD. (SHANGHAI, HEADQUARTERS)**  
 18, Enterprise Center Tower 2, 209# Gong He  
 Road, Jing'an District, Shanghai, CHINA 200070  
 Phone : +86-21-6391-3355  
 Fax : +86-21-6391-3335  
<http://www.hirose.com/cn/>

**CHINA:**

**HIROSE ELECTRIC (CHINA) CO., LTD. BEIJING BRANCH**  
 A1001, Ocean International Center, Building 56# East 4th  
 Ring Middle Road, ChaoYang District, Beijing, 100025  
 Phone : +86-10-5165-9332  
 Fax : +86-10-5908-1381  
<http://www.hirose.com/cn/>

**CHINA:**

**HIROSE ELECTRIC (CHINA) CO., LTD. SHENZHEN BRANCH**  
 Room 09-13, 19/F, Office Tower Shun Hing Square, Di Wang Commercial Centre,  
 5002 Shen Nan Dong Road, Shenzhen City, Guangdong Province, 518008  
 Phone : +86-755-8207-0851  
 Fax : +86-755-8207-0873  
<http://www.hirose.com/cn/>

**HONG KONG:**

**HIROSE ELECTRIC HONGKONG TRADING CO., LTD.**  
 Room 1001, West Wing, Tsim Sha Tsui Centre, 66  
 Mody Road, Tsim Sha Tsui East, Kowloon, Hong Kong  
 Phone : +852-2803-5338  
 Fax : +852-2591-6560  
<http://www.hirose.com/hk/>

**TAIWAN:**

**HIROSE ELECTRIC TAIWAN CO., LTD.**  
 103 8F, No.87, Zhengzhou Rd., Taipei  
 Phone : +886-2-2555-7377  
 Fax : +886-2-2555-7355  
<http://www.hirose.com/tw/>

**KOREA:**

**HIROSE KOREA CO., LTD.**  
 143, Gongdan 1-daero, Siheung-si,  
 Gyeonggi-do, 15084, Korea  
 Phone : +82-31-496-7000  
 Fax : +82-31-496-7100  
<http://www.hirose.co.kr/>

**SINGAPORE:**

**HIROSE ELECTRIC SINGAPORE PTE. LTD.**  
 03, Anson Road, #20-01, Springleaf Tower,  
 Singapore 079909  
 Phone : +65-6324-6113  
 Fax : +65-6324-6123  
<http://www.hirose.com/sg/>

**INDIA:**

**HIROSE ELECTRIC SINGAPORE PTE. LTD. DELHI LIAISON OFFICE**  
 Office NO.552, Regus-Green Boulevard, Level5, Tower C,  
 Sec62, Plot B-9A, Block B, Noida, 201301, Uttar Pradesh, India  
 Phone : +91-12-660-8018  
 Fax : +91-120-4804949  
<http://www.hirose.com/sg/>

**INDIA:**

**HIROSE ELECTRIC SINGAPORE PTE. LTD. BANGALORE LIAISON OFFICE**  
 Unit No-403, 4th Floor, No-84, Barton Centre, Mahatma  
 Gandhi (MG) Road, Bangalore 560 001, Karnataka, India  
 Phone : +91-80-4120 1907  
 Fax : +91-80-4120 9908  
<http://www.hirose.com/sg/>

**MALAYSIA:**

**PENANG REPRESENTATIVE OFFICE**  
 73-3-1, Ideal@The One, Jalan Mahsuri, Bayan  
 Lepas Penang, 11950, Malaysia  
 Phone : +604-648-5536  
<http://www.hirose.com/sg/>

**THAILAND:**

**BANGKOK OFFICE (REPRESENTATIVE OFFICE)**  
 Unit 4703, 47th FL., 1 Empire Tower, South Sathorn  
 Road, Yannawa, Sathorn, Bangkok 10120 Thailand  
 Phone : +66-2-686-1255  
 Fax : +66-2-686-3433  
<http://www.hirose.com/sg/>



**HIROSE ELECTRIC CO., LTD.**

2-6-3, Nakagawa Chuoh, Tsuzuki-Ku, Yokohama-Shi 224-8540, JAPAN  
 TEL: +81-45-620-3526 Fax: +81-45-591-3726  
<http://www.hirose.com>  
<http://www.hirose-connectors.com>