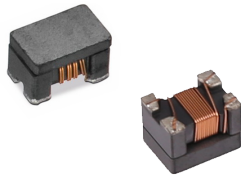


SCM Series
Common Mode Filter
Size 2520



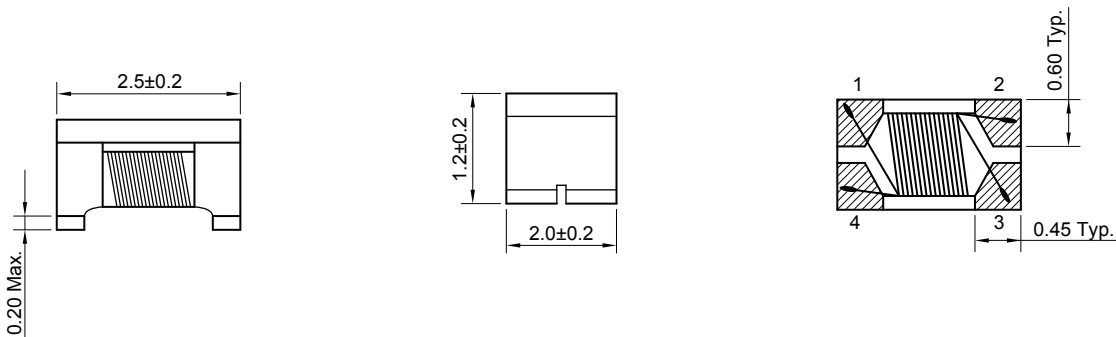
FEATURES

- High common mode impedance for outstanding noise suppression performance.
- Realize small size and low profile. 0*0*2mm
- Operating temperature -40~+125 C
- Excellent solderability

FEATURES

- USB2.0 lines for PC, TV, Peripheral equipments
- Standard signal lines
- Audio lines

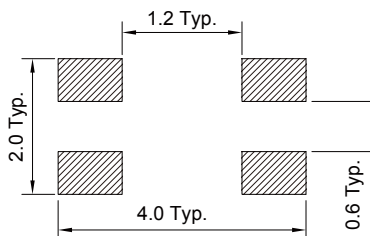
Dimensions: [mm]



Schematic:



Land Pattern: [mm]



Electrical Properties:

Part No	Impedance @ 100 MHz (Ω)	Tolerance	DC Resistance Max. (Ω)	Rated Current Max. (mA)	Rated Volt Max. (V)	IR Min. (MΩ)
SCM2520-301R	300	±25%	0.25	400	50	10
SCM2520-451R	450	±25%	0.30	350	50	10
SCM2520-601R	600	±25%	0.38	330	50	10
SCM2520-102R	1000	±25%	0.50	240	50	10

Typical Electrical Characteristics:

Impedance VS Frequency

