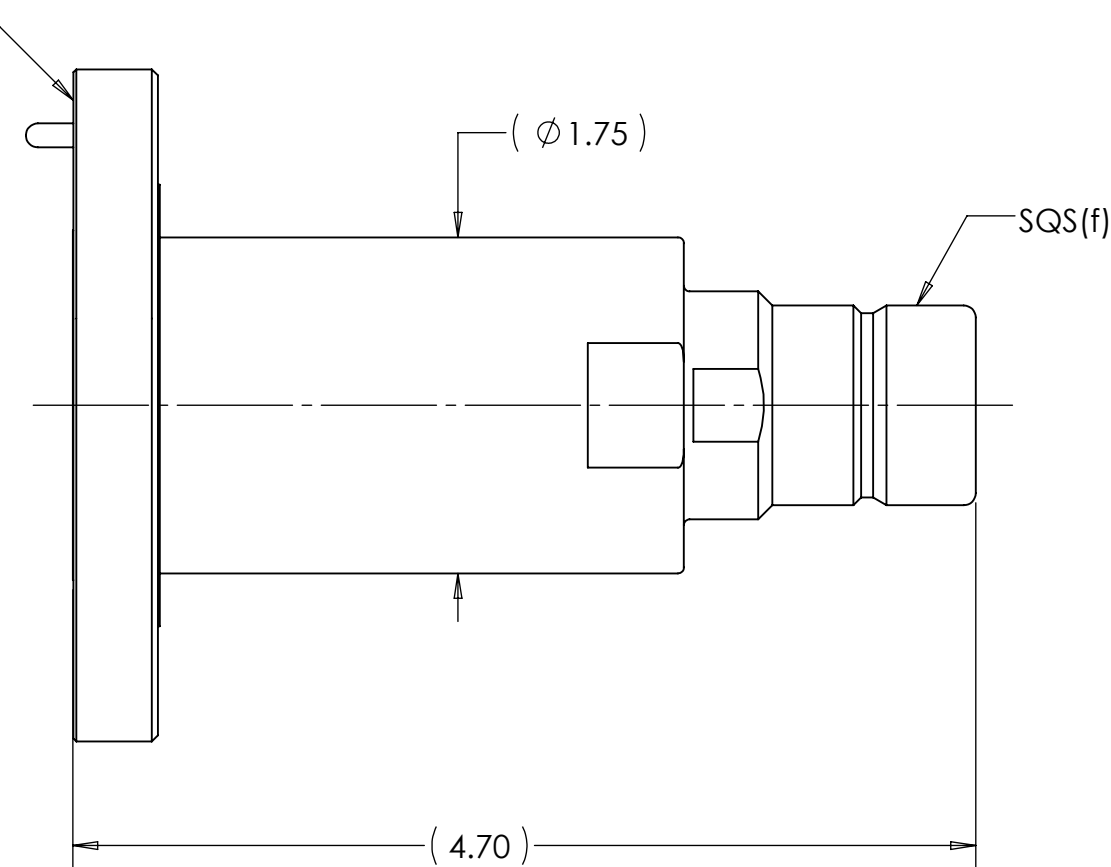
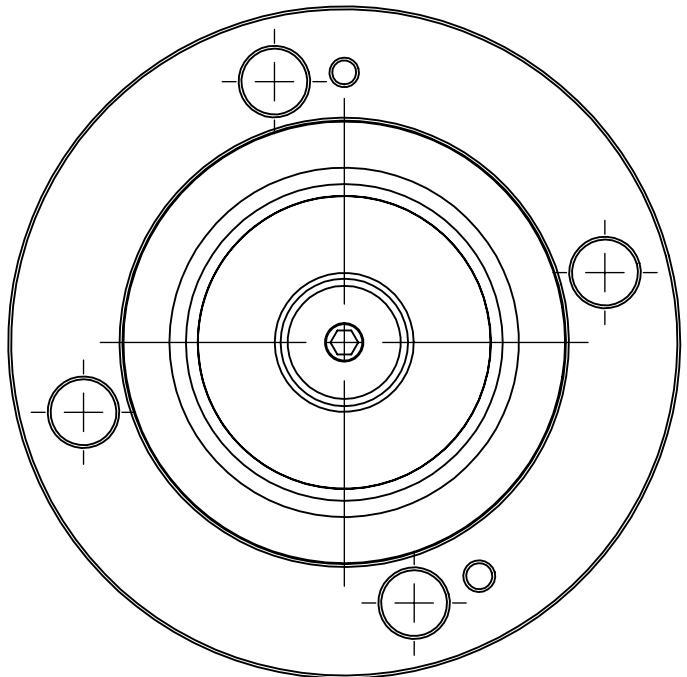
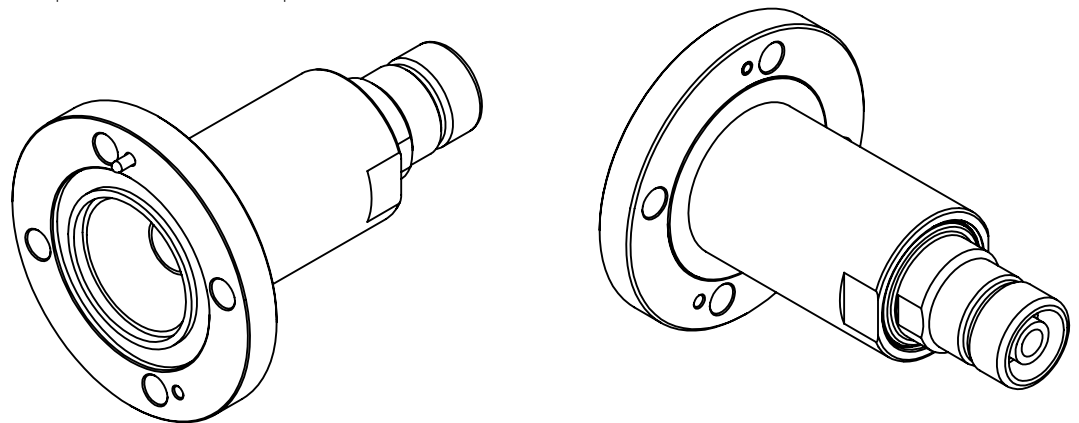


This document, including the design, configuration and mechanical features revealed herein are the sole, confidential and proprietary property of TRU Corporation. Reproduction or use thereof, in whole or part, is prohibited without the prior written consent of TRU Corporation.

REV.	DESCRIPTION	DATE	APPROVED
-	ORIGINAL ISSUE	02/17/12	AM



**ENGINEERING DATA**

**ELECTRICAL:**  
 IMPEDANCE: 50 OHMS NOMINAL

**INTERFACE:**  
 1-5/8 EIA: PER EIA RS-225 & MIL-DTL-24044  
 SWIVEL FLANGE W/ALIGNMENT PIN  
 SQS(f): PER TRU STANDARD

**MATERIAL:**  
 BODIES & COUPLING RING: BRASS  
 CENTER CONTACTS: BRASS & BERYLLIUM COPPER  
 INSULATORS: PTFE

**FINISH:**  
 BODIES & COUPLING RING: NICKEL PLATED  
 CENTER CONTACTS: SILVER PLATED

**NOTES:**  
 1. UNLESS OTHERWISE SPECIFIED; ALL DIMENSIONS ARE FOR REFERENCE ONLY.

MATERIAL	DO NOT SCALE DRAWING	DRAWN AM	DATE 02/10/12
COMMENTS:	UNLESS OTHERWISE SPECIFIED: DIMENSIONS ARE IN INCHES  TOLERANCES: FRACTIONS: ±1/64 .XX : ±.01 .XXX: ±.005 ANGLES: ±1/2° MACHINED SURFACES: 63/√	ENG APPR. AM	DATE 02/17/12
		MFG APPR.	DATE
		OTHER APPR.	DATE
surface area: sq inch	weight: lbs	THIRD ANGLE PROJECTION 	

**TRU**  
 TRU Corporation  
 245 Lynnfield St,  
 Peabody, MA 01960  
 EXPERIENCE. TRU INNOVATION.

TITLE: CONNECTOR, COAXIAL 1-5/8 EIA(f) to SQS(f) ADAPTER		
SIZE <b>B</b>	DWG. NO. TRU-11928	REV -
CAGE CODE: 92180	SCALE: 1:1	SHEET 1 OF 1