

PLEASE CHECK WWW.MOLEX.COM FOR LATEST PART INFORMATION

Part Number: **0643241019**
Status: **Active**
Overview: cmc connectors
Description: 2.80mm (.110"), CMC CP Female Terminal, Tin plated, for Tab Dimensions 2.8mm x 0.8mm , Wire Size > 3mm² - 5mm²

Documents:

[3D Model](#) [Product Specification PS-64321-001 \(PDF\)](#)
[Drawing \(PDF\)](#) [RoHS Certificate of Compliance \(PDF\)](#)
[Product Specification PS-64318-001 \(PDF\)](#)

General

Product Family	Crimp Terminals
Series	64324
Comments	* Current tested on a fully loaded connector, current for temperature increase of 40°C. Current max = 21.0A for 2.8mm Terminal (5.0mm ² wire)*
Crimp Quality Equipment	Yes
Overview	<u>cmc connectors</u>
Product Name	CP Terminal

Physical

Durability (mating cycles max)	20
Gender	Female
Material - Metal	High Copper
Material - Plating Mating	Tin
Material - Plating Termination	Tin
Packaging Type	Reel
Plating min: Mating (µin)	40.00
Plating min: Mating (µm)	1.000
Termination Interface: Style	Crimp or Compression
Wire Insulation Diameter	3.40mm-4.00mm
Wire Size AWG	N/A
Wire Size mm ²	> 3.0 - 5.0

Electrical

Current - Maximum per Contact	21A
Voltage - Maximum	250V AC

Material Info

Reference - Drawing Numbers

Application Specification	AS-64321-001
Packaging Specification	PK-98910-001
Product Specification	PS-64318-001, PS-64321-001
Sales Drawing	SD-64324-001

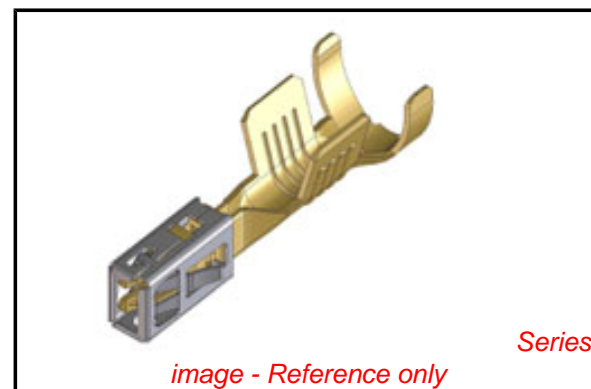


image - Reference only

EU RoHS

ELV and RoHS Compliant
REACH SVHC
 Not Reviewed
Halogen-Free Status
 Not Reviewed

China RoHS



Need more information on product environmental compliance?

Email productcompliance@molex.com
 For a multiple part number RoHS Certificate of Compliance, [click here](#)

Please visit the [Contact Us](#) section for any non-product compliance questions.

Search Parts in this Series

64324Series

Mates With

CMC Connector [64318](#) , [64321](#). CMC Wire Seal [64325](#)

Use With

CMC Connector [64318](#) , [64321](#). CMC Wire Seal [64325](#)

Application Tooling | FAQ

Tooling specifications and manuals are found by selecting the products below. Crimp Height Specifications are then contained in the Application Tooling Specification document.

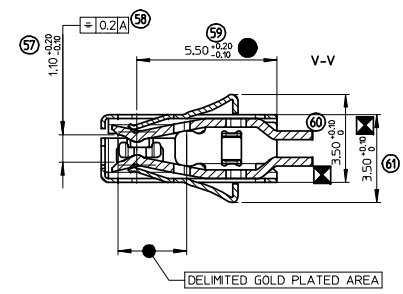
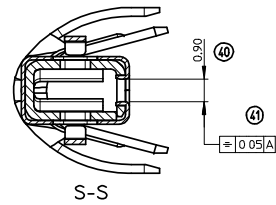
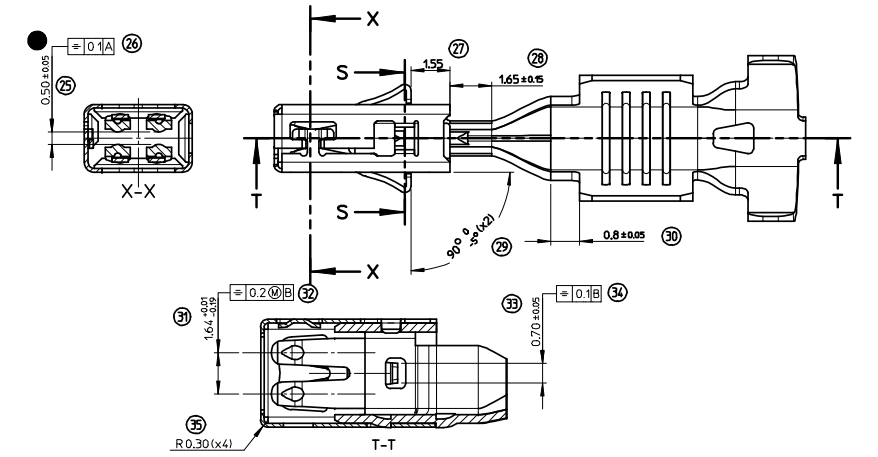
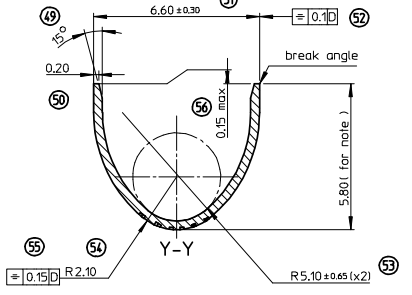
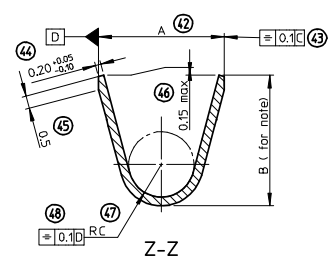
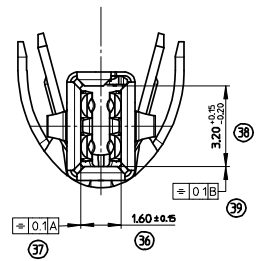
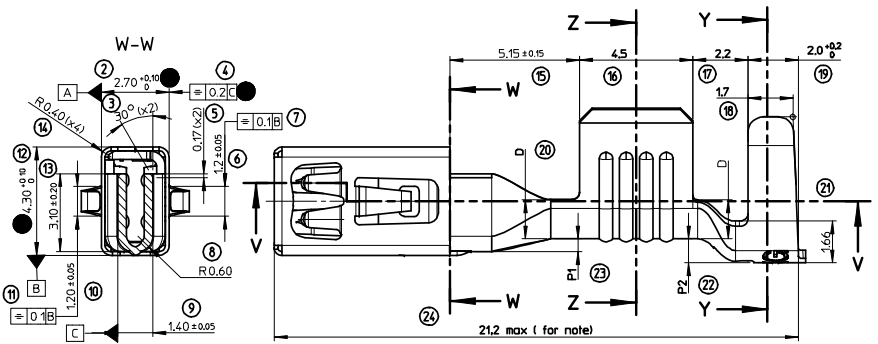
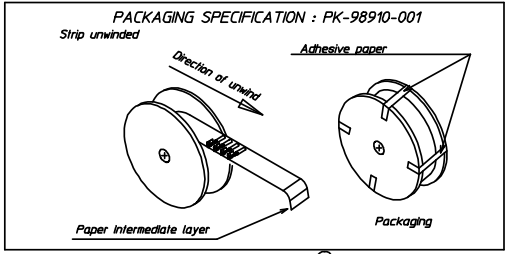
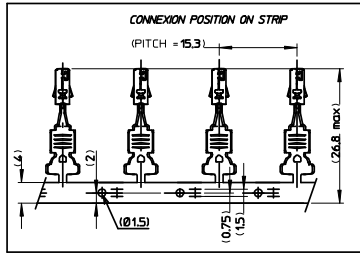
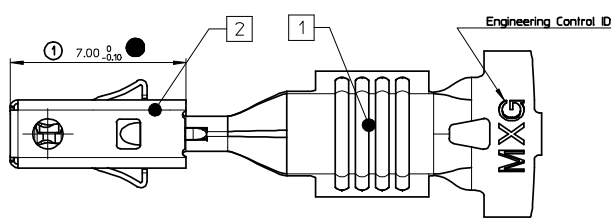
Global

Description	Product #
Hand Crimp Tool for CP 2.8 Receptacle 12-10 AWG Type TXL Wire and >3.00-5.00mm2	0638119900

Type ID & ID Wire with 2.80mm (.110"), CMC Wire Seal Receptacle Mini-Mac™	<u>0638950900</u>
Applicator for CP2.8 Crimp Terminals 3.00 - 5.0mm2 type ID & IR Wire Extraction Tool	<u>0638132500</u>

This document was generated on 05/19/2010

PLEASE CHECK WWW.MOLEX.COM FOR LATEST PART INFORMATION

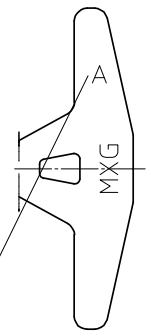


NOTE:
- CRIMPING SPECIFICATION ACCORDING TO CS-64324-001

2	BOX TERMINAL	STAINLESS STEEL thickness : 0.15 mm
1	BODY TERMINAL	HIGH CONDUCTIVITY COPPER ALLOY thickness : 0.35 mm
MARK	DESIGNATION	MATERIAL

MARK	DESIGNATION	MATERIAL	CRIMPING RANGE (mm ²)	A ±0.2	B	rC ±0.1	D ±0.1	P1 ±0.1	P2 ±0.0	WEIGHT (g)	Identification
0643241119	Au 1.27μ MINI	Sn Ni	>3 TO 5	5.0	5.2	1.3	1.55	0.5	0.95	0.4902	D
0643241019	Sn	Sn								0.4795	
0643241129	Au 1.27μ MINI	Sn Ni	>2 TO 3	4.1	4.4	1.0	1.45	0.5	0.95	0.4604	C
0643241029	Sn	Sn								0.4470	
0643241139	Au 1.27μ MINI	Sn Ni	>1 TO 2	4.1	3.5	0.9	1.3	0.85 ^{+0.1} _{-0.2}	1.3 ^{+0.1} _{-0.2}	0.4274	B
0643241039	Sn	Sn								0.4191	
0643241149	Au 1.27μ MINI	Sn Ni	0.50 TO 1	2.8	2.6	0.7	1.1	0.85 ^{+0.1} _{-0.2}	1.3	0.3916	A
0643241049	Sn	Sn								0.3815	

crimp range identification



(SKC)	COTES CARACTERISTIQUES SPECIALES
(SKC)	SPECIAL KEY CHARACTERISTICS
(SKC)	INDICATION DIMENSIONS S.P.C
(SKC)	DENOTES S.P.C DIMENSIONS
(SKC)	INDICATION DIMENSIONS CRITIQUES
(SKC)	DENOTES CRITICAL DIMENSIONS
(SKC)	INDICATION DIMENSIONS FONCTIONNELLES
(SKC)	DENOTES FUNCTIONAL DIMENSIONS
(SKC)	QUANTITE PAR FEUILLE INDIVIDUELLE
(SKC)	QUANTITY PER INDIVIDUAL SHEET
(SKC)	2 0 6 (SKC) 0

Revised Dwg ELC NO: 62008-0440 DRWNE: JULOU 2008/05/19 CHKD: FPAROLARI 2008/05/19 APPR: LSTICKEIR 2008/05/19	GENERAL TOLERANCES (UNLESS SPECIFIED) mm INCH 4 PLACES ± --- ± --- 3 PLACES ± --- ± --- 2 PLACES ± 0.10 ± --- 1 PLACE ± 0.1 ± --- ANGULAR ± 2°	DIMENSION STYLE MM ONLY	SCALE 10:1	DESIGN UNITS METRIC	FIRST ANGLE PROJECTION
	DRAWN BY VGUERIN 2007/11/07	CHECKED BY FPAROLARI 2007/11/07	APPROVED BY LSTICKEIR 2007/11/07	DATE 2007/11/07	TITLE CP RCPT TRM 2.8
DRAFT WHERE APPLICABLE MUST REMAIN WITHIN DIMENSIONS	SEE CHART	THIS DRAWING CONTAINS INFORMATION THAT IS PROPRIETARY TO MOLEX INCORPORATED AND SHOULD NOT BE USED WITHOUT WRITTEN PERMISSION	SHEET NO. 1 OF 1		