

Features

- Current rating of 300 mA
- Inductance range: 10 to 330 μ H
- Frequency range to 1600 MHz
- RoHS compliant*

Applications

- EMI suppression

BOURNS®

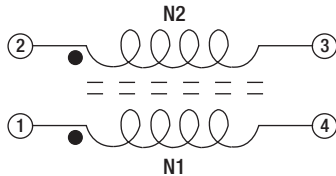
SRF0602 Series - Line Filter

Electrical Specifications @ 25 °C

| Part Number | L (μ H) * | Leakage Inductance (μ H) Max. | DCR (Ω) max. (each winding) | Rated Current (mA) | Impedance (Z) | |
|--------------|-------------------|--|---|--------------------------|-------------------------|-------------------------------|
| | | | | | Freq. Range (MHz) | Min. Value (Ω) |
| SRF0602-100Y | 10 \pm 50 % | 1 | 0.24 | 300 | 35 - 570 | 600 |
| SRF0602-470Y | 47 \pm 50 % | 4 | 0.16 | 300 | 4 - 1600 | 140 |
| SRF0602-820Y | 82 \pm 50 % | 4 | 0.02 | 300 | 3 - 850 | 220 |
| SRF0602-101Y | 100 \pm 50 % | 8 | 0.22 | 300 | 3 - 660 | 260 |
| SRF0602-181Y | 180 \pm 50 % | 8 | 0.25 | 300 | 3 - 250 | 500 |
| SRF0602-221Y | 220 \pm 50 % | 10 | 0.28 | 300 | 3 - 210 | 600 |
| SRF0602-331Y | 330 \pm 50 % | 10 | 0.30 | 300 | 3 - 120 | 900 |

* Test condition: 2 mV, 10 KHz

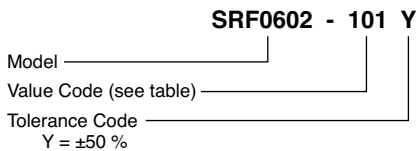
Schematic



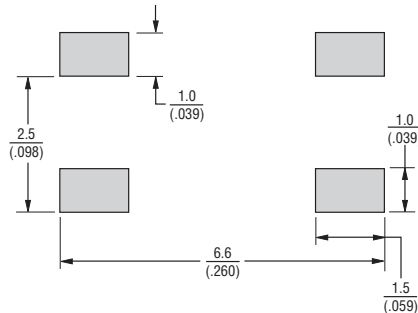
Typical Part Marking



How to Order



Recommended Layout



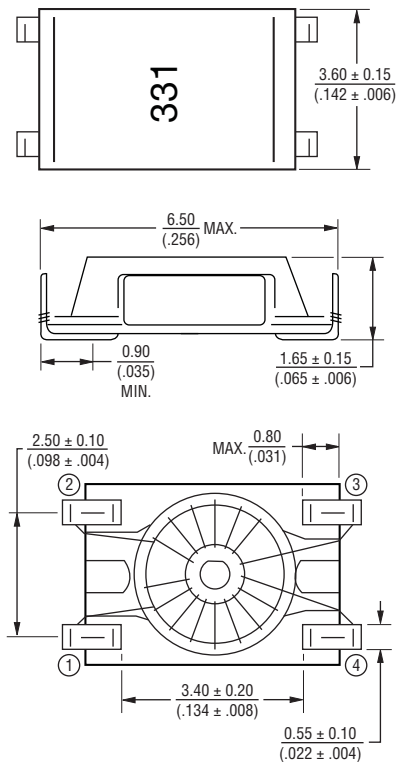
General Specifications

Temperature Rise.. 20 °C at rated current
 Rated Voltage.....50 Vdc
 Hi-Pot 250 VAC, 60 Hz,
 3 mA max. for 1 minute
 Operating Temperature
 -40 °C to +105 °C
 (Temperature rise included)
 Storage Temperature .. -40 °C to +105 °C
 Solderability 260 °C for 5 sec.
 (JEDEC J-STD-020D)

Materials

Core Material Ferrite
 Base LCP
 Wire Enameled copper
 Terminal coating Sn
 Packaging 1000 pcs. per 7-inch reel

Product Dimensions



DIMENSIONS: $\frac{\text{MM}}{\text{(INCHES)}}$

BOURNS®

Asia-Pacific: Tel: +886-2 2562-4117 • Fax: +886-2 2562-4116

Europe: Tel: +41-41 768 5555 • Fax: +41-41 768 5510

The Americas: Tel: +1-951 781-5500 • Fax: +1-951 781-5700

www.bourns.com

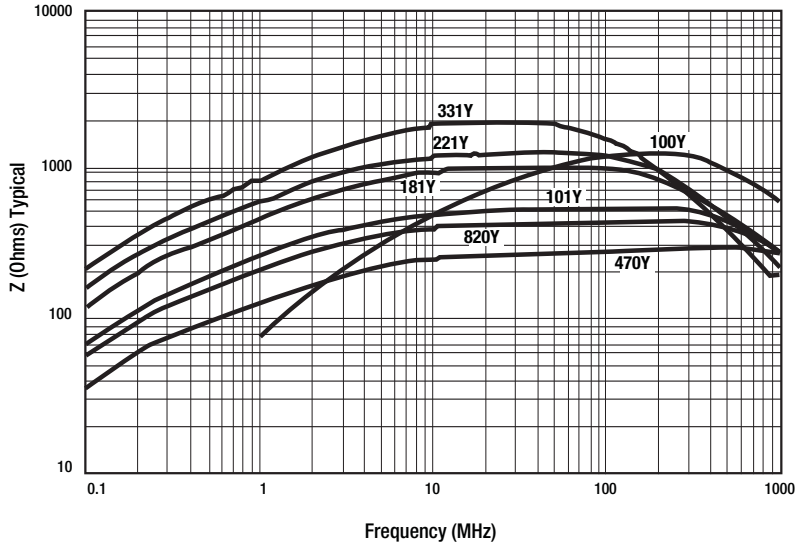
*RoHS Directive 2002/95/EC Jan. 27, 2003 including annex and RoHS Recast 2011/65/EU June 8, 2011.
 Specifications are subject to change without notice.

The device characteristics and parameters in this data sheet can and do vary in different applications and actual device performance may vary over time.
 Users should verify actual device performance in their specific applications.

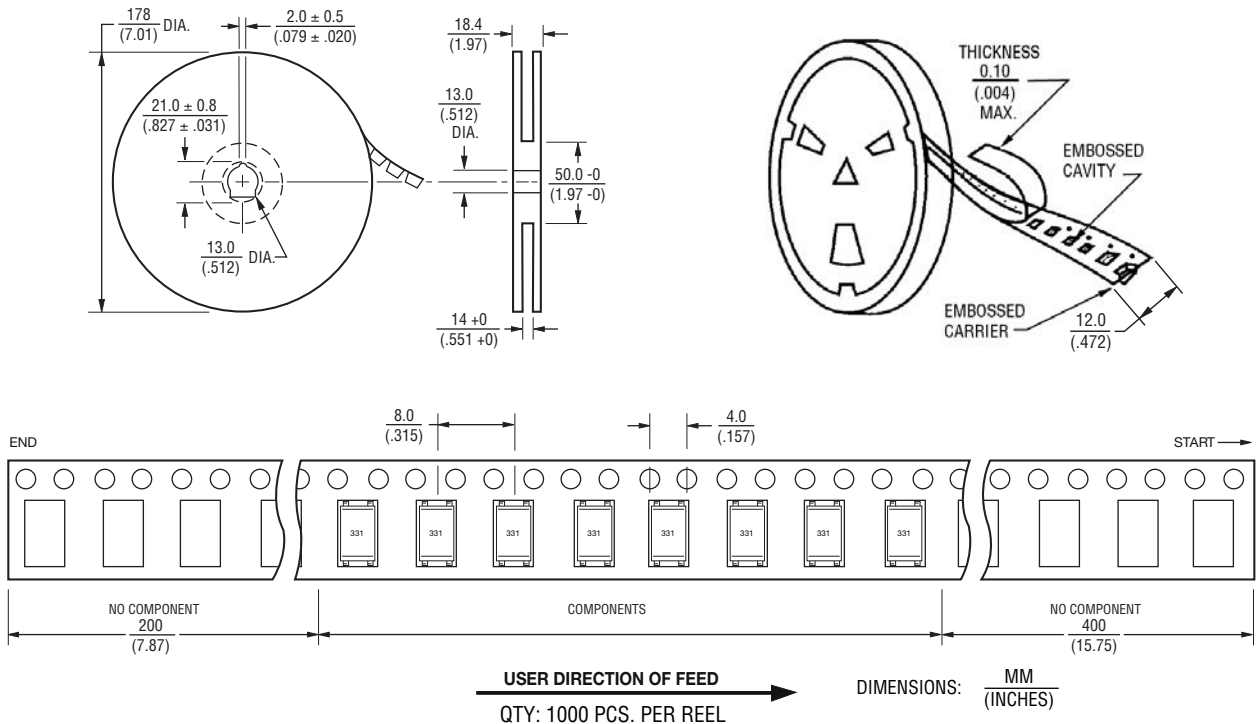
SRF0602 Series - Line Filter

BOURNS®

Impedance Graph



Packaging Specifications



REV. 06/13

Specifications are subject to change without notice.

The device characteristics and parameters in this data sheet can and do vary in different applications and actual device performance may vary over time. Users should verify actual device performance in their specific applications.