



## TGJ Series • General Purpose Coupling Transformers

### Features

- EMI noise suppression in the common mode
- small size SMD package for high density board placement
- SMD package is pick and place compatible and provides consistent and reliable coplanarity
- low leakage inductance
- Manufactured in an ISO-9001:2000, TS-16949:2002 and SO-14001:2004 certified Talema facility
- Fully RoHS compliant and meets lead free reflow level J-STD-020C



### Electrical Specifications

Ratings@ 25°C ambient

Power Rating with 40°C temperature rise : 500mW

Dielectric Strength between windings: 500Vrms

Operating Temperature Range: -40°C to +85°C

Storage Temperature: -40°C to +125°C

Insulation Resistance: 10,000 MOhm minimum

Test Frequency: Inductance measured @ 100kHz/20mVrms

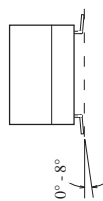
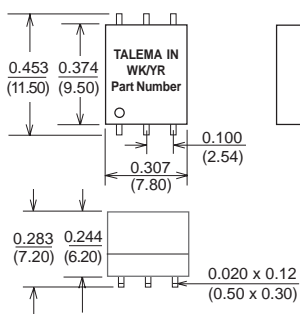
Standard packing: Tape and reel

**Typical Applications** include: General Isolation, Telecommunications, LAN Coupling and Isolation, Modems, Voltage Step-Up or Step-Down, Impedance Matching and Baluns

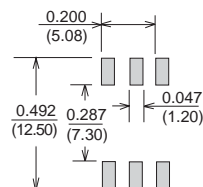
### TGJ Series • SMD Common Mode EMI Noise Suppression Chokes

Part Number	OCL ( $\mu\text{H} \pm 30\%$ )	Turns Ratio $\pm 2\%$	$L_L$ Pri/Sec ( $\mu\text{H Max}$ )	$C_C$ Pri/Sec (pF Max)	Rise Time (nS Max)	Primary ET (V- $\mu\text{S Min}$ )	$R_{CU P}$ (mOhms)	$R_{CU S}$ (mOhms)	$R_{CU T}$ (mOhms)	Schematic
TGJ-50-6C	50	1:1:1	0.5	18	5.6	5.2	110	110	120	C
TGJ-200-6C	200	1:1:1	0.3	18	4.2	5.9	210	210	240	C
TGJ-500-6C	500	1:1:1	0.4	32	5.3	8.5	330	330	390	C
TGJ-2000-6C	2000	1:1:1	0.8	37	8.2	16	690	690	810	C
TGJ-5000-6C	5000	1:1:1	1.3	60	10.5	25	1370	1370	130	C
TGJ-200-6G	200	2:1:1	0.8	8	3.2	5.0	210	105	105	G
TGJ-500-6G	500	2:1:1	1.1	11	5.6	8.5	330	165	165	G
TGJ-2000-6G	2000	2:1:1	1.8	19	11	16	690	345	345	G
TGJ-5000-6G	5000	2:1:1	3.6	33	16	25	1100	550	550	G
TGJ-200-6D	200	1ct:1ct	0.3	18	4.2	5.0	210	210	--	D
TGJ-500-6D	500	1ct:1ct	0.4	32	5.3	8.5	300	330	--	D
TGJ-2000-6D	2000	1ct:1ct	0.8	37	8.2	16	690	690	--	D
TGJ-200-6H	200	2ct:1ct	0.8	8	3.2	5.0	300	150	--	H
TGJ-500-6H	500	2ct:1ct	1.2	12	5.6	8.5	330	165	--	H
TGJ-2000-6H	2000	2ct:1ct	1.8	19	11	16	690	345	--	H

### TGJ



### Suggested Pad Layout



### Schematic



Dimensions: Inches (Millimeters)

Tolerance:  $\pm 0.010$  (0.25) unless specified otherwise

Surface coplanarity will be 0.004 (0.01) maximum