

**PLEASE CHECK WWW.MOLEX.COM FOR LATEST PART INFORMATION**

**Part Number:** [0351280600](#)  
**Status:** **Active**  
**Description:** 6.00mm (.236") Pitch Wire-to-Wire Female Housing, 6 Circuits, Vertical

**Documents:**

[Drawing \(PDF\)](#) [RoHS Certificate of Compliance \(PDF\)](#)  
[Product Specification PS-35127-001 \(PDF\)](#)

**Agency Certification**

CSA	LR19980
TUV	R72081037
UL	E29179

**General**

Product Family	Crimp Housings
Series	<a href="#">35128</a>
Product Name	N/A

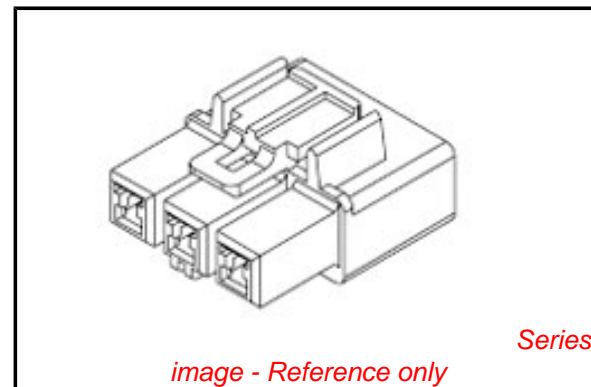
**Physical**

Circuits (maximum)	6
Color - Resin	Natural
Flammability	94V-0
Gender	Female
Glow-Wire Compliant	No
Material - Resin	Polyester
Number of Rows	2
Packaging Type	Bag
Panel Mount	No
Pitch - Mating Interface (in)	0.236 In
Pitch - Mating Interface (mm)	6.00 mm
Stackable	No
Temperature Range - Operating	-40°C to +120°C

**Material Info**

**Reference - Drawing Numbers**

Product Specification	PS-35127-001
Sales Drawing	SD-35128-002



**EU RoHS**

**ELV and RoHS  
Compliant**  
**REACH SVHC**  
 Not Reviewed  
**Halogen-Free  
Status**  
 Not Reviewed

**China RoHS**



**Need more information on product  
environmental compliance?**

Email [productcompliance@molex.com](mailto:productcompliance@molex.com)  
 For a multiple part number RoHS Certificate of  
 Compliance, [click here](#)

Please visit the [Contact Us](#) section for any  
 non-product compliance questions.

**Search Parts in this Series**

[35128Series](#)

**Mates With**

[35127](#)

**Use With**

[35028](#)

**PLEASE CHECK WWW.MOLEX.COM FOR LATEST PART INFORMATION**

DWG. NO. SD-35128-002

SIMILAR ITEM

PROJECT NO.

B

DO NOT SCALE DRAWING DIMENSION IN METRIC

8 7 6 5 4 3 2 1

F

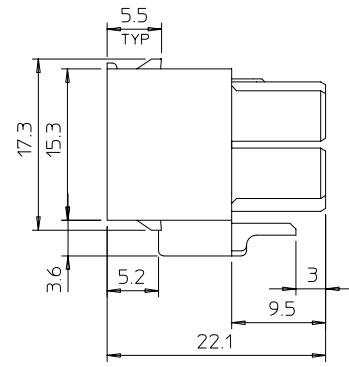
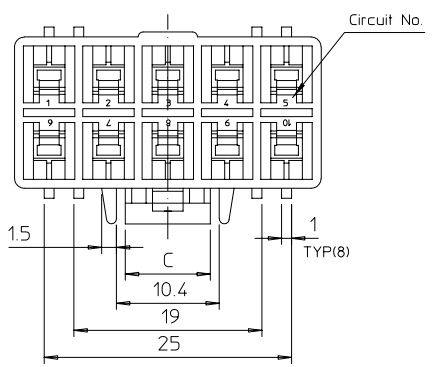
E

D

C

B

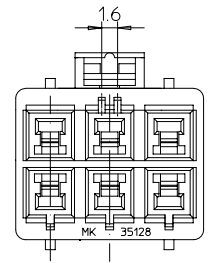
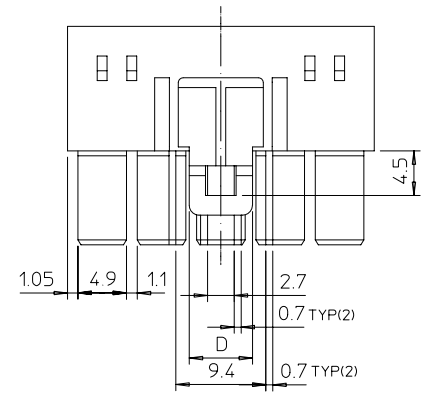
A



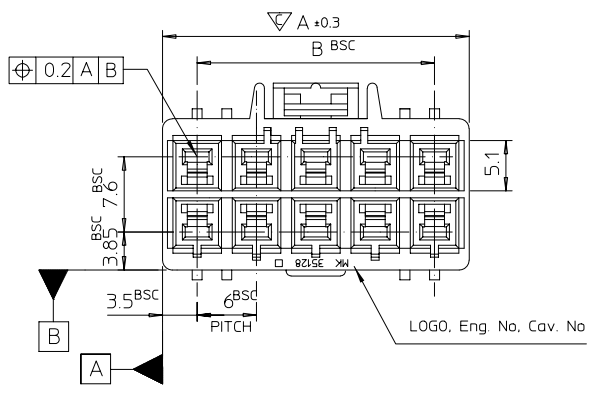
NOTES

1. MATERIALS: POLYESTER(PBT), UL94V-0, COLOR: NATURAL(WHITE)
2. DRAFT TO BE 0°30' UNLESS SPECIFIED.
3. WARPING TO BE 0.20 MAX.
4. PERMISSIBLE FLASH: 0.10MAX.
5. APPLICABLE FEMALE TERMINAL : 35028-\*\*\*\*
6. MATED MALE HOUSING : 35127-\*\*\*\*
7. PRODUCT SPECIFICATION : PS35128

6.4	8.6	24	31	351281000	35128-1000	10
5.2	7	12	19	351280600	35128-0600	6
D	C	B	A	MAT'L NO	ENG NO	CIRCUITS



6 CIRCUITS



REVISED	ECN NO. KOR 1999-0103	QUALITY SYMBOLS	GENERAL TOLERANCES: (UNLESS SPECIFIED)		SCALE 2:1	DESIGN UNITS <input checked="" type="checkbox"/> mm <input type="checkbox"/> INCH	THIRD ANGLE PROJECTION <input checked="" type="checkbox"/> <input type="checkbox"/>	DIMENSIONS: <input type="checkbox"/> mm <input type="checkbox"/> INCH <input checked="" type="checkbox"/> mm ONLY		SHT	REV
	DRWN: Y.R.WI 00.01.10		MAJOR	mm	INCH	DRAWN BY & DATE Y.J.KIM 91.10.17		TITLE: 6.0 PITCH W-t-W FEMALE HSG - 6.10P		REVISE ON CAD ONLY	
B	CHK: J.KOH	DESCRIPTION	4 PLACES	±0.	±.	CHECKED BY & DATE Y.J.KIM 92.01.30		MOLEX INCORPORATED			
	APPR: C.W.LEE		CRITICAL	3 PLACES	±0.	±.	APPROVED BY & DATE C.W.LEE 92.01.30				
REV			2 PLACES	±0.	±.	CAD FILENAME SD35128B_B.MI		MATERIAL NO. SEE TABLE	DRAWING NO. SD-35128-002	SHEET NO. 1 of 1	SIZE B
			1 PLACE	±0.2	±.	DRAFT WHERE APPLICABLE MUST REMAIN WITHIN DIMENSIONS		THIS DRAWING CONTAINS INFORMATION THAT IS PROPRIETARY TO MOLEX INCORPORATED AND SHOULD NOT BE USED WITHOUT WRITTEN PERMISSION.			

8 7 6 5 4 3 2 1