
**Features**

- Universal AC input/ Full range
- Short circuit, overload, over-voltage protected
- Cooling by free air convection
- Approvals: UL/CUL/TUV/CB/CE
- Fixed switching frequency at 65KHz
- Low leakage current <0.5mA
- 100% full load burn-in test
- Low cost, high reliability
- 2 year warranty

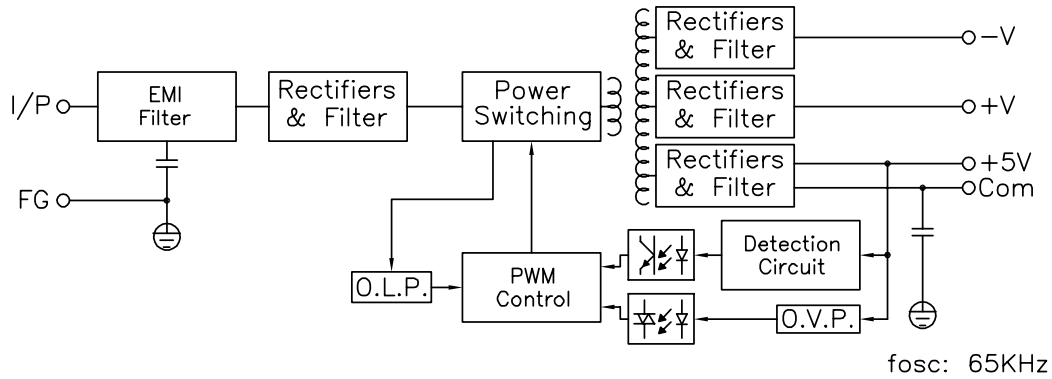
|                            | CH1                                                                                  | CH2   | CH3   |
|----------------------------|--------------------------------------------------------------------------------------|-------|-------|
| DC output voltage          | 5V                                                                                   | 12V   | -12V  |
| Output V. tolerance        | ±4%                                                                                  | ±7%   | ±5%   |
| Output rated current       | 3A                                                                                   | 2A    | 0.3A  |
| Output min. current        | 0.4A                                                                                 | 0.2A  | 0A    |
| Output max. current        | 5A                                                                                   | 2.5A  | 0.5A  |
| Ripple & noise p-p         | 50mV                                                                                 | 120mV | 100mV |
| Line regulation            | ±1%                                                                                  | ±2%   | ±1%   |
| Load regulation            | ±3%                                                                                  | ±4%   | ±1%   |
| Rated output power         | 42.6W                                                                                |       |       |
| Maximum output power       | rated output power for convection<br>52W with 18CFM min forced air                   |       |       |
| Efficiency                 | 75%                                                                                  |       |       |
| DC voltage adj.            | CH1: +10, -5%                                                                        |       |       |
| Input voltage range        | 90~264VAC 47~440Hz; 120-370VDC                                                       |       |       |
| AC current                 | 1A/115V 0.7A/230V                                                                    |       |       |
| Inrush current             | cold start 20A/115V 40A/230V                                                         |       |       |
| Leakage current            | <0.5mA @ 240 VAC                                                                     |       |       |
| Overload protection        | 53~75W<br>type: Hiccup mode, recovers automatically after fault condition is removed |       |       |
| Over voltage protection    | 5.75~6.75VDC on CH1                                                                  |       |       |
| Temperature coefficient    | ±0.04% / °C (0~50°C) on +5V output                                                   |       |       |
| Set up, rise, hold up time | 800ms, 20ms, 20ms                                                                    |       |       |
| Vibration                  | 10~500Hz, 2G 10 min./1 cycle, period of 60 min. each axes                            |       |       |
| Withstand voltage          | I/P-O/P: 3KVAC, I/P-FG: 1.5KVAC, O/P-FG: 0.5KVAC, for 1 min.                         |       |       |
| Isolation resistance       | I/P-O/P, I/P-FG, O/P-FG: 500VDC / 100M Ohms min.                                     |       |       |
| Working temp., humidity    | -10°C~+60% (refer to output derating curve), 20%-90% RH                              |       |       |
| Storage temp., humidity    | -20°C~+85°C, 10%-95% RH                                                              |       |       |
| Dimensions                 | 5x3x1.1 inches (127x76.2x28 mm) PCB only                                             |       |       |
| Weight                     | 0.506 lbs (0.23 Kg)                                                                  |       |       |
| Safety standards           | UL1950, TUV EN60950 approved                                                         |       |       |
| EMC standards              | CISPR22 (EN55022), IEC1000-4-2,3,4,5 IEC1000-3-2, 3 verification                     |       |       |

**Notes:**

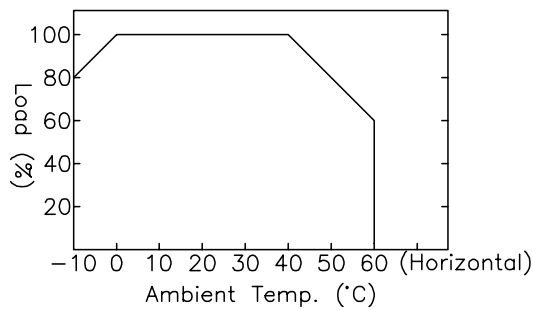
1. All parameters are specified at 230VAC input, rated load, 25°C 70% RH ambient
2. Tolerance includes set up tolerance, line regulation, load regulation
3. Ripple & noise are measured at 20MHz by using a 12" twisted pair terminated with a 0.1uF & 47 uF capacitor
4. Line regulation is measured from low line to high line at rated load
5. Output provides up to maximum current, but is related to maximum output power
6. Mounting holes M1 and M2 should be grounded for EMI purposes

V-Infinity reserves the right to make changes to its products or to discontinue any product or service without notice, and to advise customers to verify the most up-to-date product information before placing orders. V-Infinity assumes no liability or responsibility for customer's applications using V-Infinity products other than repair or replacing (at V-I's option) V-Infinity products not meeting V-I's published specifications. Nothing will be covered outside of standard product warranty.

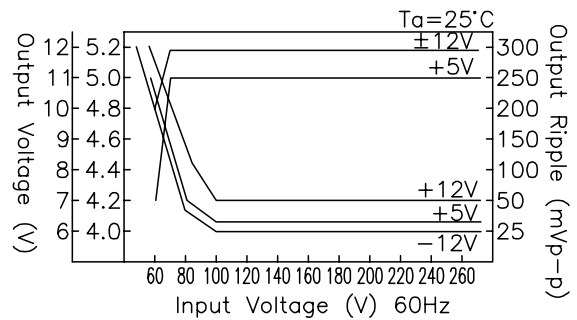
### Block Diagram



### Output Derating



### Static Characteristics



### Dimensions (mm)

Terminal Pin No. Assignment  
 CN1: MOLEX 5277-02  
 PIN 1,2: AC INPUT  
 CN2: MOLEX 5273-06  
 PIN 1: DC OUTPUT +V  
 PIN 2,3: DC OUTPUT +5V  
 PIN 4,5: DC OUTPUT COM  
 PIN 6: DC OUTPUT -V

Mating Connectors  
 CN1,2 Mating Connector type  
 Molex 5195 and 5239 series  
 or equivalent with Molex  
 5194 and 5225 or equivalent  
 crimp terminals.

