

PLEASE CHECK WWW.MOLEX.COM FOR LATEST PART INFORMATION

Part Number: [0639112900](#)
Status: **Active**
Description: T2 Terminator for Flat Blade Crimp Terminal

Documents:
[RoHS Certificate of Compliance \(PDF\)](#)

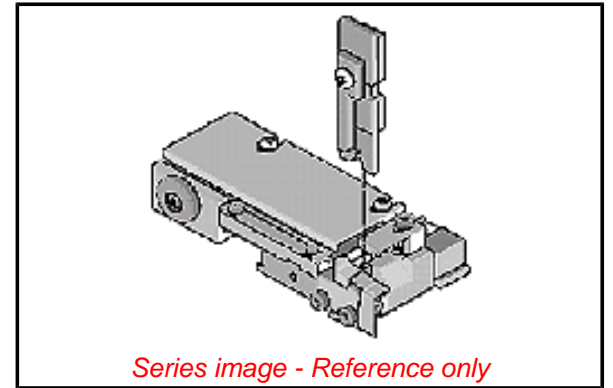
General

Product Family	Application Tooling
Series	T9999
Function	Crimp
Geographic Area	Global
Level of Automation	Manual
More Detailed Tech Information	applicationtooling@molex.com
Product Name	T2
Survey	www.molex.com//review/apptool_survey.html
Tool Type	T2 Terminator Die
UPC	884982137691

Material Info

Reference - Drawing Numbers
 Application Tooling Documents

ATS-639112900, TM-638000029, TM-638000029CN,
 TM-638000029DE, TM-638000029FR,
 TM-638000029IT, TM-638000029JP,
 TM-638000029KR, TM-638000029MY,
 TM-638000029PL, TM-638000029RU,
 TM-638000029SK, TM-638000029SP,
 TM-638000029TH, TM-638000029TW,
 TM-638000029VN, TM-638500090, TM-638500090SP



EU ELV

Not Reviewed

EU RoHS

Not Reviewed

REACH SVHC

Not Reviewed

Halogen-Free

Status

Not Reviewed

Need more information on product environmental compliance?

Email productcompliance@molex.com
 Please visit the [Contact Us](#) section for any non-product compliance questions.

China ROHS
 ELV

China RoHS

Not Reviewed
 Not Reviewed

Search Parts in this Series

[T9999 Series](#)

Use With

43374 , 43375 Sabre™ Flat Blade Crimp Terminal 20 AWG