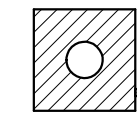
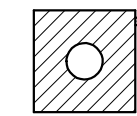
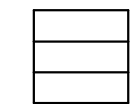


FERROXCUBE



e

f



1

2

3

4

5

6

7

8

a

b

c

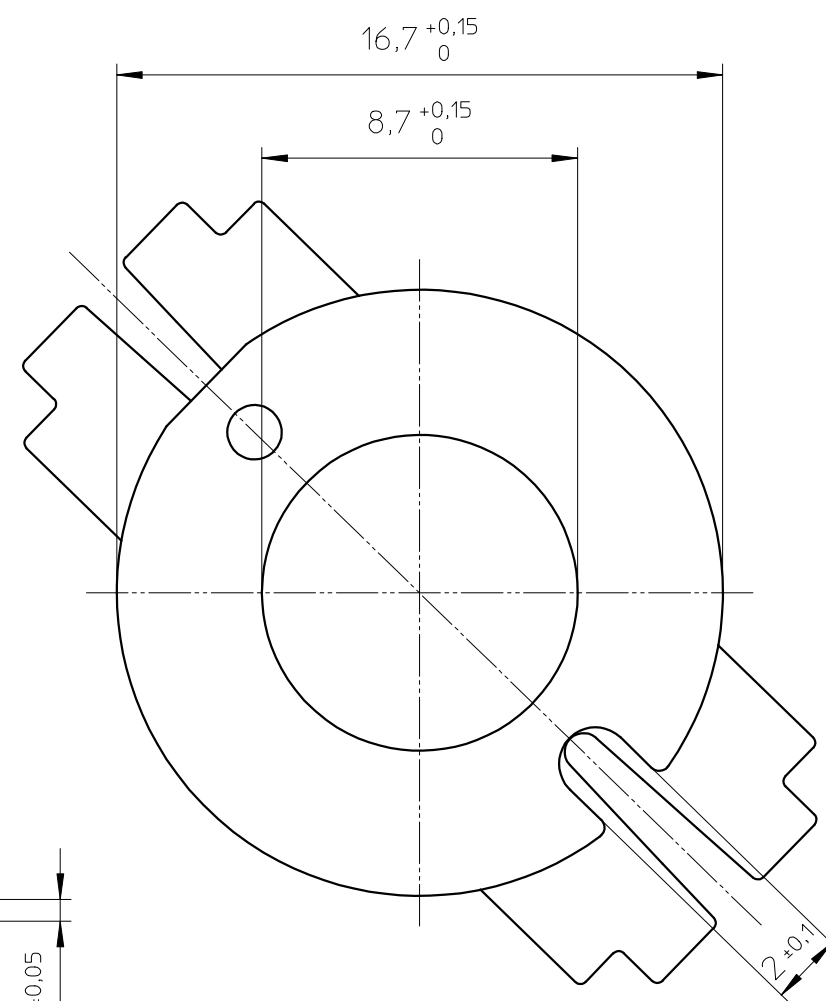
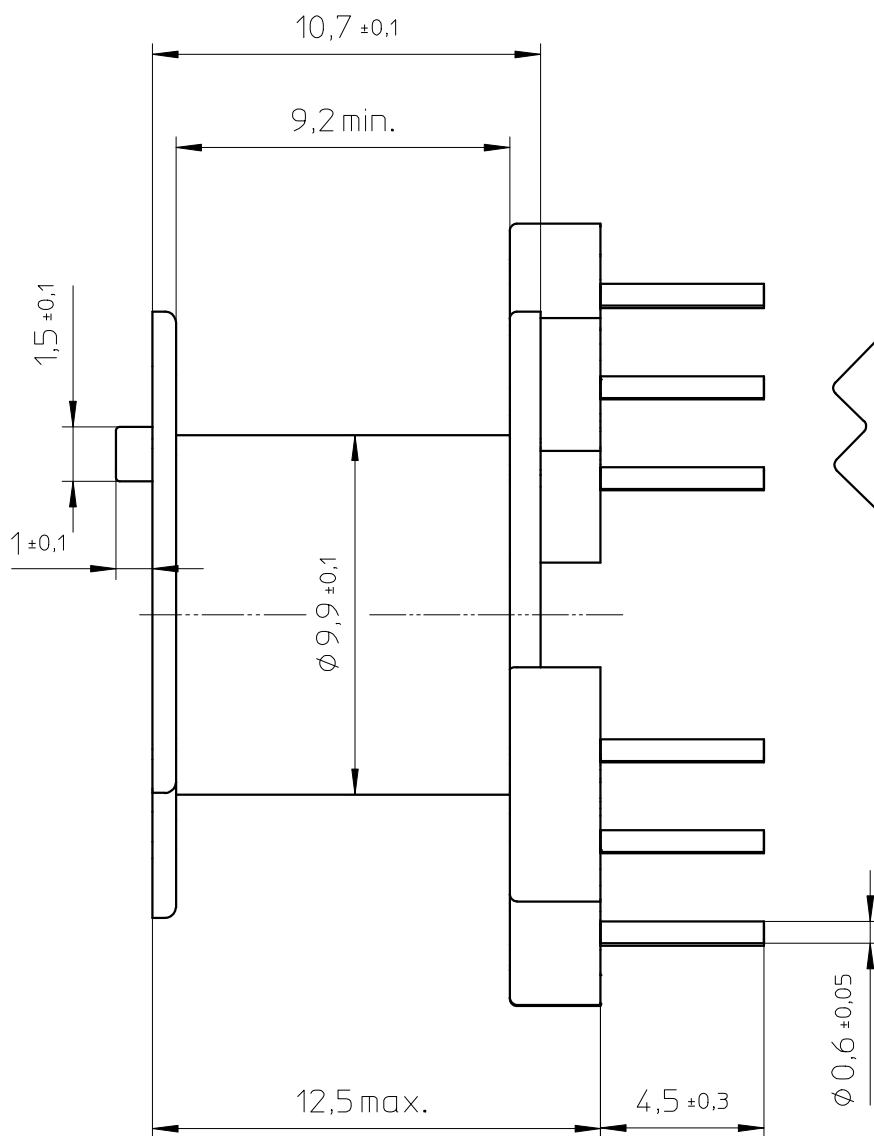
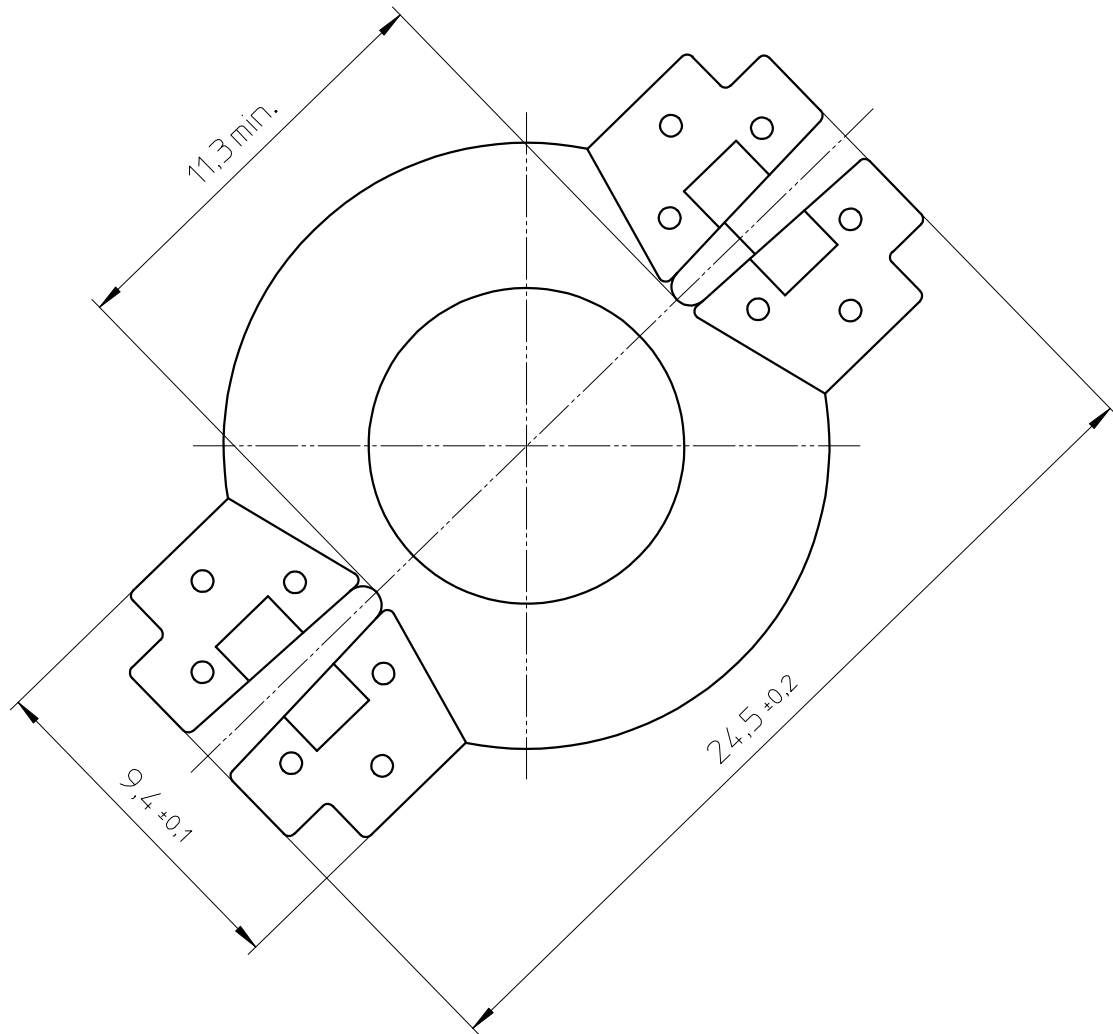
d

a

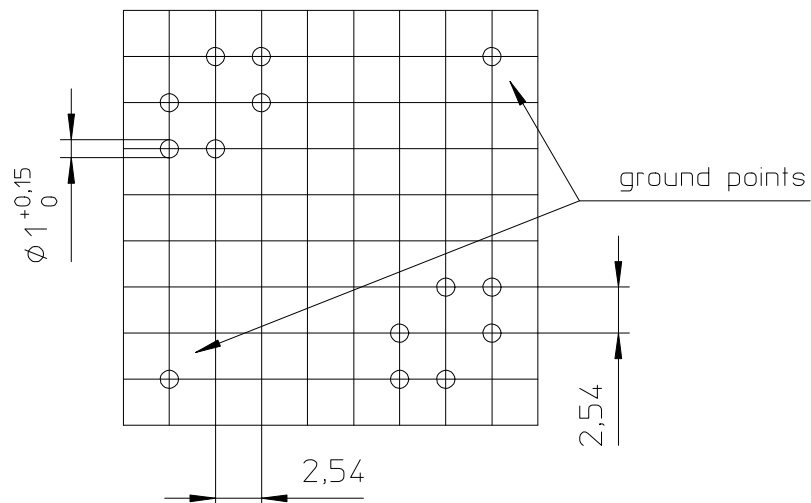
b

c

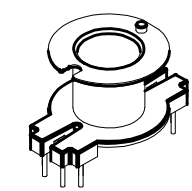
d



HOLE PATTERN:



Coil former material: Sumikon PM9630 (PF), glass-reinforced.
 UL file number: E41429(M) - UL94V-0.
 Pin material: Copper-clad steel, Sn plated.
 Max. operating temp.: acc. to IEC 85 class F, 150°C.
 Resistance to soldering heat: acc. to IEC 68-2-20 Part 2, Test Tb, method 1B, 350°C - 3,5sec.
 Solderability: acc. to IEC 68-2-20 Part 2, Test Ta, method 1, 235°C - 2sec.
 Min. winding area: 31 mm².
 Mean length of turn: 42 mm.



CLASS.NO.		98-11-09	
		06-06-28	
NAME NAAM		A.Wojtasz	
CHECK CONTR.		MPA	
SUPER. VERV.		001	
DAT.		98-01-19	
PROPERTY OF EIGENDOM VAN		© FERROXCUBE 2000	
SH BL.		112 - 001	
SH BL.		069	
A3		4322 021 02621	
CSV-RM8-1S-12P-TA			