



APPLICATIONS

- Motor Speed Control
- Switching Power Supplies
- Induction Heaters
- Resonant Circuits

FEATURES

- High Current
- High Voltage
- Multiple Lead Styles (2,4, lugs)
- Small Size

SPECIFICATIONS

| | | | | | | |
|---|---|--|------------|---------------------------------------|-----|------|
| Operating Temperature Range | | -40°C to +85°C (+100°C observing voltage and current de-rating) | | | | |
| Capacitance Tolerance | | ±10% at 1kHz, 25°C ±5% optional | | | | |
| Surge/AC Voltage | WVDC | 370 | 500 | 600 | 700 | 800 |
| | SVDC | 470 | 625 | 750 | 875 | 1200 |
| | VAC | 160 | 250 | 330 | 380 | 380 |
| For T>+85°C the rated voltage must be de-rated by 1.25%/°C | | | | | | |
| Dissipation Factor (max) at 1kHz,25°C | Freq (kHz) | C 5µF | 5µF<C 30µF | C>30µF | | |
| | 1 | .05% | .08% | .1% | | |
| Insulation Resistance @20°C(<70% RH) for 1 minute at 100VDC applied | | >30,000M x µF not to exceed 30,000M | | | | |
| Self inductance | | <1nH/mm of body length and lead wire length. | | | | |
| Dielectric Strength | Terminal to Terminal | | | Terminal to Case | | |
| | 160% of VDC applied for 10 seconds and 25°C | | | 3 KVAC applied for 60 seconds at 25°C | | |
| Life Expectancy | | >100,000 hours for WVDC,30000 hours for VAC at 70°C | | | | |
| Failure quota | | 300/1x10 ⁹ component hours | | | | |
| Long term Stability | | <1% after 2 years at standard enviromental conditions | | | | |
| Construction | | Double metallized film with polypropylene film and internal series connections | | | | |
| Coating | | Flame retardant plastic box with epoxy end fill (UL94V-0) | | | | |
| Lead terminations | | Lead free tinned copper leads (RoHS compliant) | | | | |

MHB

Radial Leaded Polypropylene
Film Capacitors
with Double Sided
Metallized Electrodes

PHYSICAL DIMENSIONS

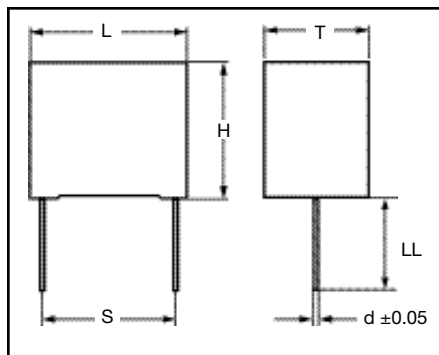
2 Lead Construction

| WVDC (VAC) μF | 370 (200) | 500 (250) | 600 (330) | 700 (380) | 800 (400) |
|------------------|------------------------|--------------|------------------------|------------------------|--------------|
| 1 | | | | 32x22x13 | 32x24.5x15 |
| 1.5 | | | 32x22x13 | 32x24.5x15 | 32x33x18 |
| 2 | | 32x22x13 | 32x24.5x15 | 32x33x18 | |
| 2.2 | | 32x22x13 | 32x24.5x15 | | 32x33x18 |
| 2.5 | | | 32x28x14 | | 42.5x28x17 |
| 3 | | | | 32x33x18 42.5x28x17 | 32x37x22 |
| 3.3 | | 32x24.5x15 | 32x33x18 | | 42.5x30x22 |
| 4 | 32x22x13 | 32x33x18 | 32x33x18 42.5x28x17 | 32x37x22 42.5x30x22 | 42.5x33.5x22 |
| 5 | 32x28x14 | 32x33x18 | 32x37x22 42.5x30x22 | 42.5x33.5x22 | 42.5x37x28 |
| 6.8 | 32x33x18 | 32x37x22 | 42.5x33.5x22 | | |
| 7.5 | | 42.5x30x22 | | | |
| 8 | | | | 42.5x37x28 | 42.5x45x30 |
| 10 | 32x37x22 42.5x28x17 | 42.5x33.5x22 | 42.5x37x28 | 42.5x45x30 | 57.5x45x30 |
| 12.5 | | | | | 57.5x45x30 |
| 15 | 42.5x30x22 | 42.5x37x28 | 42.5x45x30 | 57.5x45x30 | 57.5x50x35 |
| 20 | | | 57.5x45x30 | 57.5x50x35 | |
| 22 | 42.5x37x28 | 42.5x45x30 | | | |
| 25 | | 57.5x45x30 | 57.5x50x35 | | |
| 30 | | 457.5x45x30 | | | |
| 33 | 42.5x45x30 | | | | |
| 40 | 57.5x45x30 | 57.5x50x35 | | | |
| 50 | 57.5x50x30 | | | | |
| 60 | 57.5x50x35 | | | | |

Convert to inches, divide by 25.4

LxHxT mm

| | | | |
|---|---------|------|------|
| L | 32 | 42.5 | 57.5 |
| S | 27.5 | 37.5 | 52.5 |
| d | 1.0,1.2 | 1.2 | 1.2 |



MHBRadial Leaded Polypropylene
Film Capacitors
with Double Sided
Metallized Electrodes**STANDARD PARTS LISTING****2 Lead Construction**

| Capacitance (µF) | WVDC | IC [®] PART NUMBER | dv/dt (V/µs) | Maximum RMS Ripple Current (A) 100kHz, +70°C | Typical ESR m 100kHz, +25°C | L x H x T (mm) |
|------------------|------|-----------------------------|--------------|--|-----------------------------|----------------|
| 1 | 700 | 105MHBA06K2H | 110 | 15.5 | 5.5 | 32x22x13 |
| 1 | 800 | 105MHBA01K2H | 120 | 13.8 | 6.5 | 32x24.5x15 |
| 1.5 | 600 | 155MHBA02K2H | 90 | 13 | 6 | 32x22x13 |
| 1.5 | 700 | 155MHBA06K2H | 110 | 12.5 | 6.5 | 32x24.5x15 |
| 1.5 | 800 | 155MHBA01K2H | 120 | 11.1 | 8.5 | 32x33x18 |
| 2 | 500 | 205MHBA03K2H | 70 | 14.4 | 6 | 32x22x13 |
| 2 | 600 | 205MHBA02K2H | 90 | 13 | 7 | 32x24.5x15 |
| 2 | 700 | 205MHBA06K2H | 110 | 10.6 | 7.5 | 32x28x14 |
| 2.2 | 500 | 225MHBA03K2H | 70 | 13.6 | 6 | 32x22x13 |
| 2.2 | 600 | 225MHBA02K2H | 90 | 10.6 | 7 | 32x24.5x15 |
| 2.2 | 800 | 225MHBA01K2H | 120 | 9.1 | 9.5 | 32x33x18 |
| 2.5 | 600 | 255MHBA02K2H | 90 | 10.1 | 8 | 32x28x14 |
| 2.5 | 800 | 255MHBA01K2J | 82.5 | 9.8 | 9 | 42.5x28x17 |
| 3 | 700 | 305MHBA06K2H | 110 | 8.6 | 10 | 32x33x18 |
| 3 | 700 | 305MHBA06K2J | 75 | 9.9 | 9 | 42.5x28x17 |
| 3 | 800 | 305MHBA01K2H | 120 | 7.8 | 12 | 32x37x22 |
| 3.3 | 500 | 335MHBA03K2H | 70 | 11 | 7 | 32x24.5x15 |
| 3.3 | 600 | 335MHBA02K2H | 90 | 8.7 | 10 | 32x33x18 |
| 3.3 | 800 | 335MHBA01K2J | 82.5 | 8.3 | 11 | 42.5x30x22 |
| 4 | 370 | 405MHBA04K2H | 55 | 11.2 | 6.5 | 32x22x13 |
| 4 | 500 | 405MHBA03K2H | 70 | 9.9 | 8.5 | 32x33x18 |
| 4 | 600 | 405MHBA02K2H | 90 | 7 | 11 | 32x33x18 |
| 4 | 600 | 405MHBA02K2J | 60 | 8.9 | 9.5 | 42.5x28x17 |
| 4 | 700 | 405MHBA06K2H | 110 | 7.4 | 12 | 32x37x22 |
| 4 | 700 | 405MHBA06K2J | 75 | 8.5 | 10.5 | 42.5x30x22 |
| 4 | 800 | 405MHBA01K2J | 82.5 | 7.3 | 12 | 42.5x33.5x22 |
| 5 | 370 | 505MHBA04K2H | 55 | 9.9 | 7.5 | 32x28x14 |
| 5 | 500 | 505MHBA03K2H | 70 | 8.7 | 9.5 | 32x33x18 |
| 5 | 600 | 505MHBA02K2H | 90 | 7 | 12 | 32x37x22 |
| 5 | 600 | 505MHBA02K2J | 60 | 7.3 | 11.5 | 42.5x30x22 |
| 5 | 700 | 505MHBA06K2J | 75 | 7.3 | 12 | 42.5x33.5x22 |

| Capacitance (µF) | WVDC | IC [®] PART NUMBER | dv/dt (V/µs) | Maximum RMS Ripple Current (A) 100kHz, +70°C | Typical ESR m 100kHz, +25°C | L x H x T (mm) |
|------------------|------|-----------------------------|--------------|--|-----------------------------|----------------|
| 5 | 800 | 505MHBA01K2J | 82.5 | 6.5 | 14 | 42.5x37x28 |
| 6.8 | 370 | 685MHBA04K2H | 55 | 8.3 | 10.5 | 32x33x18 |
| 6.8 | 500 | 685MHBA03K2H | 70 | 7.7 | 12 | 32x37x22 |
| 6.8 | 600 | 685MHBA02K2J | 60 | 6.4 | 12.5 | 42.5x33.5x22 |
| 7.5 | 500 | 755MHBA03K2J | 47.5 | 8.3 | 10 | 42.5x30x22 |
| 8 | 700 | 805MHBA06K2J | 75 | 5.8 | 14 | 42.5x37x28 |
| 8 | 800 | 805MHBA01K2J | 82.5 | 4.7 | 14 | 42.5x45x30 |
| 10 | 370 | 106MHBA04K2H | 55 | 6 | 13 | 32x37x22 |
| 10 | 370 | 106MHBA04K2J | 37.5 | 6.9 | 10.5 | 42.5x28x17 |
| 10 | 500 | 106MHBA03K2J | 47.5 | 6.7 | 12 | 42.5x33.5x22 |
| 10 | 600 | 106MHBA02K2J | 60 | 5.4 | 14 | 42.5x37x28 |
| 10 | 700 | 106MHBA06K2J | 75 | 5.3 | 14 | 42.5x45x30 |
| 10 | 800 | 106MHBA01K2R | 55 | 5.9 | 14 | 57.5x45x30 |
| 12.5 | 800 | 126MHBA01K2R | 55 | 5.4 | 14 | 57.5x45x30 |
| 15 | 370 | 156MHBA04K2J | 37.5 | 5.7 | 12.5 | 42.5x30x22 |
| 15 | 500 | 156MHBA03K2J | 47.5 | 5.4 | 14 | 42.5x37x28 |
| 15 | 600 | 156MHBA02K2J | 60 | 4.4 | 14 | 42.5x45x30 |
| 15 | 700 | 156MHBA06K2R | 50 | 5.4 | 14 | 57.5x45x30 |
| 15 | 800 | 156MHBA01K2R | 55 | 5 | 14 | 57.5x50x35 |
| 20 | 600 | 206MHBA02K2R | 40 | 4.7 | 14 | 57.5x45x30 |
| 20 | 700 | 206MHBA06K2R | 50 | 4.7 | 14 | 57.5x50x35 |
| 22 | 370 | 226MHBA04K2J | 37.5 | 4.7 | 14 | 42.5x37x28 |
| 22 | 500 | 226MHBA03K2J | 47.5 | 4.5 | 14 | 42.5x45x30 |
| 25 | 500 | 256MHBA03K2R | 32.5 | 5 | 14 | 57.5x45x30 |
| 25 | 600 | 256MHBA02K2R | 40 | 4.2 | 14 | 57.5x50x35 |
| 30 | 500 | 306MHBA03K2R | 32.5 | 4.5 | 14 | 57.5x45x30 |
| 33 | 370 | 336MHBA04K2J | 37.5 | 4 | 14 | 42.5x45x30 |
| 40 | 370 | 406MHBA04K2R | 25 | 4.5 | 14 | 57.5x45x30 |
| 40 | 500 | 406MHBA03K2R | 32.5 | 3.9 | 14 | 57.5x50x35 |
| 50 | 370 | 506MHBA04K2R | 25 | 3.9 | 14 | 57.5x50x30 |
| 60 | 370 | 606MHBA04K2R | 25 | 3.6 | 14 | 57.5x50x35 |



ILLINOIS CAPACITOR, INC.

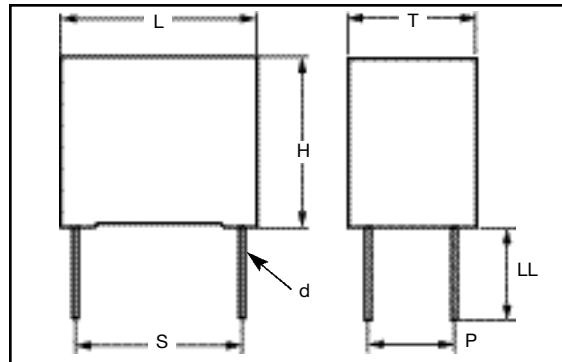
3757 W. Touhy Ave., Lincolnwood, IL 60712 • (847) 675-1760 • Fax (847) 673-2850 • www.illcap.com

MHBRadial Leaded Polypropylene
Film Capacitors
with Double Sided
Metallized Electrodes**PHYSICAL DIMENSION****4 Lead Construction**

| WVDC (VAC) μF | 370 (160) | 500 (250) | 600 (330) | 700 (380) | 800 (400) |
|---------------------|--------------------------|--------------|--------------|--------------|--------------|
| 3 | | | | 32x33x18 | 32x37x22 |
| 3.3 | | | 32x33x18 | | |
| 4 | | | 32x33x18 | 32x37x22 | |
| 5 | | 32x33x18 | 32x37x22 | | 42.5x37x28 |
| 6.8 | 32x33x18 | 32x37x22 | | | |
| 8 | | | | 42.5x37x28 | 42.5x45x30 |
| 10 | 32x37x22 | 42.5x33.5x22 | 42.5x37x28 | 42.5x45x30 | 57.5x45x30 |
| 12.5 | | | | | 57.5x45x30 |
| 15 | 42.5x30x22 42.5x45x30 | 42.5x37x28 | | 57.5x45x30 | 57.5x50x35 |
| 20 | | | 57.5x45x30 | 57.5x50x35 | |
| 22 | 42.5x37x28 | 42.5x45x30 | | | |
| 25 | | 57.5x45x30 | 57.5x50x35 | | |
| 30 | | 57.5x45x30 | | | |
| 33 | 42.5x45x30 | | | | |
| 40 | 57.5x45x30 | 57.5x50x35 | | | |
| 50 | 57.5x50x35 | | | | |
| 60 | 57.5x50x35 | | | | |

Convert to inches, divide by 25.4

LxHxT mm

4 Lead Construction

| | | | | | | |
|---|------|---------|------|------|------|------|
| L | 32 | 32 | 32 | 42.5 | 42.5 | 57.5 |
| S | 27.5 | 27.5 | 27.5 | 37.5 | 37.5 | 52.5 |
| H | <22 | 22<H<28 | 28 | 37 | >37 | ALL |
| P | 10.2 | 52.5 | 10.2 | 10.2 | 20.3 | 20.3 |
| d | 0.8 | 1.2 | 1.2 | 1.2 | 1.2 | 1.2 |

MHBRadial Leaded Polypropylene
Film Capacitors
with Double Sided
Metallized Electrodes**STANDARD PARTS LISTING****4 Lead Construction**

| Capacitance (μ F) | WVDC | ic PART NUMBER | dv/dt (V/ μ s) | Maximum RMS Ripple Current (A) 100kHz, +70°C | Typical ESR m 100kHz, +25°C | L x H x T (mm) |
|---------------------------|------|--------------------------|-----------------------|---|--------------------------------------|-------------------|
| 3 | 700 | 305MHBA06K4H | 110 | 7.9 | 11.5 | 32x33x18 |
| 3 | 800 | 305MHBA01K4H | 120 | 7.1 | 13.5 | 32x37x22 |
| 3.3 | 600 | 335MHBA02K4H | 90 | 8 | 11.5 | 32x33x18 |
| 4 | 600 | 405MHBA02K4H | 90 | 7 | 12.5 | 32x33x18 |
| 4 | 700 | 405MHBA06K4H | 110 | 6.7 | 13.5 | 32x37x22 |
| 5 | 500 | 505MHBA03K4H | 70 | 8 | 11 | 32x33x18 |
| 5 | 600 | 505MHBA02K4H | 90 | 6.3 | 13.5 | 32x37x22 |
| 5 | 800 | 505MHBA01K4J | 82.5 | 5.9 | 15.5 | 42.5x37x28 |
| 6.8 | 370 | 685MHBA04K4H | 55 | 7.6 | 12 | 32x33x18 |
| 6.8 | 500 | 685MHBA03K4H | 70 | 7 | 13.5 | 32x37x22 |
| 8 | 700 | 805MHBA06K4J | 75 | 5.2 | 16 | 42.5x37x28 |
| 8 | 800 | 805MHBA01K4J | 82.5 | 4.1 | 19.5 | 42.5x45x30 |
| 10 | 370 | 106MHBA04K4H | 55 | 5.3 | 15 | 32x37x22 |
| 10 | 500 | 106MHBA03K4J | 47.5 | 6.1 | 13.5 | 42.5x33.5x22 |
| 10 | 600 | 106MHBA02K4J | 60 | 4.8 | 16.5 | 42.5x37x28 |
| 10 | 700 | 106MHBA06K4J | 75 | 4.7 | 18.5 | 42.5x45x30 |
| 10 | 800 | 106MHBA01K4R | 55 | 5.3 | 18.5 | 57.5x45x30 |
| 12.5 | 800 | 126MHBA01K4R | 55 | 4.8 | 20 | 57.5x45x30 |

| Capacitance (μ F) | WVDC | ic PART NUMBER | dv/dt (V/ μ s) | Maximum RMS Ripple Current (A) 100kHz, +70°C | Typical ESR m 100kHz, +25°C | L x H x T (mm) |
|---------------------------|------|--------------------------|-----------------------|---|--------------------------------------|-------------------|
| 15 | 370 | 156MHBA02K4J | 60 | 3.8 | 20 | 42.5x45x30 |
| 15 | 370 | 156MHBA04K4J | 37.5 | 5.1 | 14 | 42.5x30x22 |
| 15 | 500 | 156MHBA03K4J | 47.5 | 4.8 | 16.5 | 42.5x37x28 |
| 15 | 700 | 156MHBA06K4R | 50 | 4.8 | 19.5 | 57.5x45x30 |
| 15 | 800 | 156MHBA01K4R | 55 | 4.4 | 22 | 57.5x50x35 |
| 20 | 600 | 206MHBA02K4R | 40 | 4.1 | 21 | 57.5x45x30 |
| 20 | 700 | 206MHBA06K4R | 50 | 4.1 | 22.5 | 57.5x50x35 |
| 22 | 370 | 226MHBA04K4J | 37.5 | 4.1 | 17.5 | 42.5x37x28 |
| 22 | 500 | 226MHBA03K4J | 47.5 | 3.9 | 19.5 | 42.5x45x30 |
| 25 | 500 | 256MHBA03K4R | 32.5 | 4.4 | 20 | 57.5x45x30 |
| 25 | 600 | 256MHBA02K4R | 40 | 3.6 | 24 | 57.5x50x35 |
| 30 | 500 | 306MHBA03K4R | 32.5 | 3.9 | 22 | 57.5x45x30 |
| 33 | 370 | 336MHBA04K4J | 37.5 | 3.4 | 21.5 | 42.5x45x30 |
| 40 | 370 | 406MHBA04K4R | 25 | 3.9 | 22 | 57.5x45x30 |
| 40 | 500 | 406MHBA03K4R | 32.5 | 3.3 | 25 | 57.5x50x35 |
| 50 | 370 | 506MHBA04K4R | 25 | 3.3 | 25 | 57.5x50x35 |
| 60 | 370 | 606MHBA04K4R | 20 | 3 | 26 | 57.5x50x35 |

**ILLINOIS CAPACITOR, INC.**

3757 W. Touhy Ave., Lincolnwood, IL 60712 • (847) 675-1760 • Fax (847) 673-2850 • www.illcap.com

MHB

Radial Leaded Polypropylene
Film Capacitors
with Double Sided
Metallized Electrodes

PHYSICAL DIMENSIONS

Lug Terminals

| WVDC (VAC) μF | 370 (160) | 500 (250) | 600 (330) | 700 (380) | 800 (400) |
|---------------------|--------------|--------------|--------------|--------------|--------------|
| 2.5 | | | | | 42.5x28x17 |
| 3 | | | | 42.5x28x17 | |
| 3.3 | | | | | 42.5x30x22 |
| 4 | | | 42.5x28x17 | 42.5x30x22 | 42.5x33.5x22 |
| 5 | | | 42.5x30x22 | 42.5x33.5x22 | |
| 6.8 | | | 42.5x33.5x22 | | |
| 7.5 | 42.5x30x22 | | | | |
| 8 | | | | 42.5x37x28 | 42.5x45x30 |
| 10 | 42.5x28x17 | 42.5x33.5x22 | 42.5x37x28 | 42.5x45x30 | 57.5x45x30 |
| 12.5 | | | | | 57.5x45x30 |
| 15 | 42.5x30x22 | 42.5x37x28 | 42.5x45x30 | 57.5x45x30 | 57.5x50x35 |
| 20 | | | 57.5x45x30 | 57.5x50x35 | |
| 22 | 42.5x37x28 | 42.5x45x30 | | | |
| 25 | | 57.5x45x30 | 57.5x50x35 | | |
| 30 | | 57.5x45x30 | | | |
| 33 | 42.5x45x30 | | | | |
| 40 | 57.5x45x30 | 57.5x50x35 | | | |
| 50 | 57.5x50x35 | | | | |
| 60 | 57.5x50x35 | | | | |

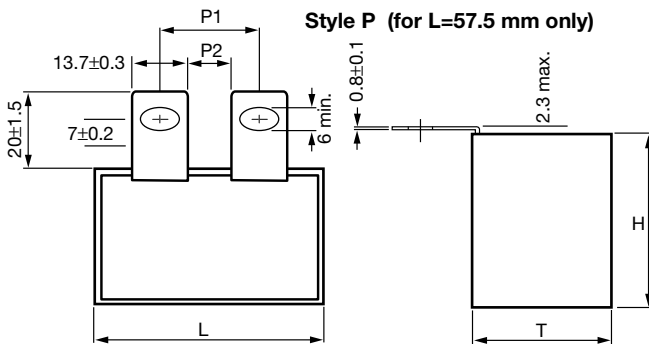
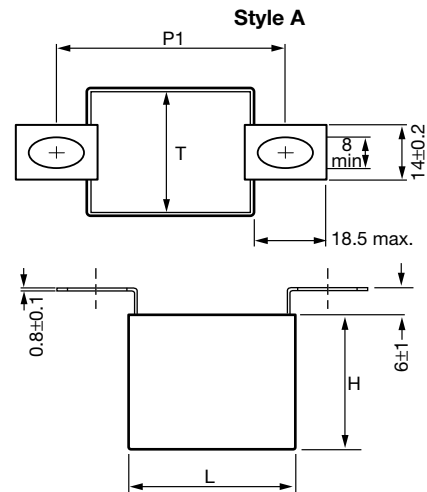
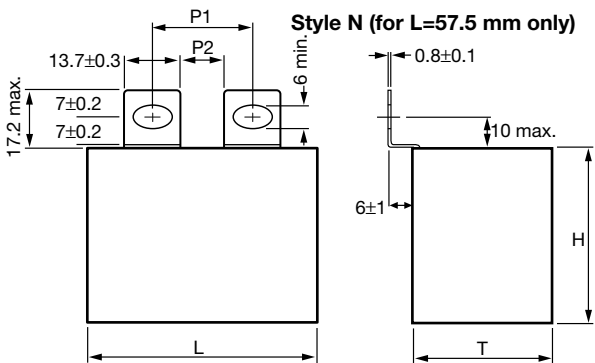
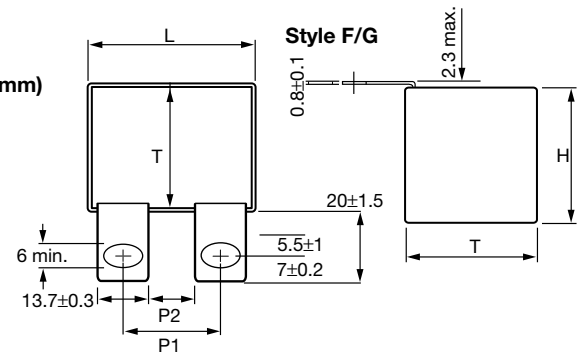
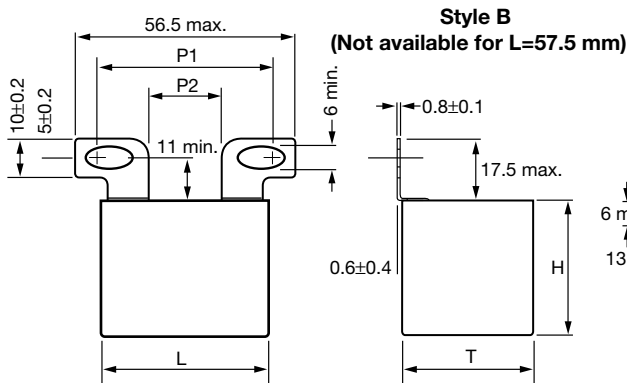
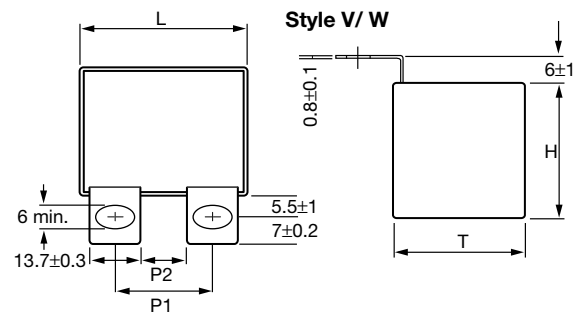
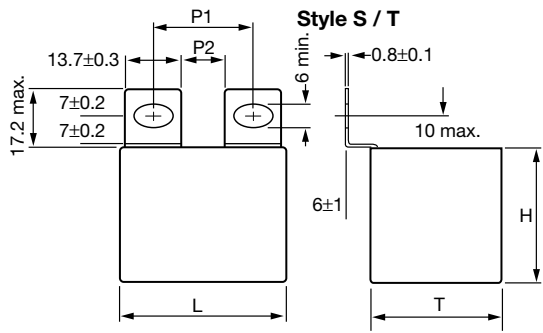
Convert to inches, divide by 25.4

LxHxT mm

| Capacitance (μF) | WVDC | IC PART NUMBER | dv/dt (V/μs) | Maximum RMS Ripple Current (A) 100kHz,+70°C | Typical ESR m 100kHz, +25°C | L x H x T (mm) |
|---------------------|------|-------------------|-----------------|--|--------------------------------------|-------------------|
| 2.5 | 800 | 255MHBA01K## | 82.5 | 9.1 | 10.5 | 42.5x28x17 |
| 3 | 700 | 305MHBA06K## | 75 | 9.2 | 10.5 | 42.5x28x17 |
| 3.3 | 800 | 335MHBA01K## | 82.5 | 7.6 | 12.5 | 42.5x30x22 |
| 4 | 600 | 405MHBA02K## | 60 | 8.2 | 11 | 42.5x28x17 |
| 4 | 700 | 405MHBA06K## | 75 | 7.8 | 12 | 42.5x30x22 |
| 4 | 800 | 405MHBA01K## | 82.5 | 6.6 | 13.5 | 42.5x33.5x22 |
| 5 | 600 | 505MHBA02K## | 60 | 6.6 | 13 | 42.5x30x22 |
| 5 | 700 | 505MHBA06K## | 75 | 6.6 | 13.5 | 42.5x33.5x22 |
| 6.8 | 600 | 685MHBA02K## | 60 | 5.7 | 15 | 42.5x33.5x22 |
| 7.5 | 500 | 755MHBA03K## | 47.5 | 7.5 | 11.5 | 42.5x30x22 |
| 8 | 700 | 805MHBA06K## | 75 | 5.1 | 17.5 | 42.5x37x28 |
| 8 | 800 | 805MHBA01K## | 82.5 | 4 | 21.5 | 42.5x45x30 |
| 10 | 370 | 106MHBA04K## | 37.5 | 6.1 | 12.5 | 42.5x28x17 |
| 10 | 500 | 106MHBA03K## | 47.5 | 6 | 14.5 | 42.5x33.5x22 |
| 10 | 600 | 106MHBA02K## | 60 | 4.7 | 18 | 42.5x37x28 |
| 10 | 700 | 106MHBA06K## | 75 | 4.6 | 20 | 42.5x45x30 |
| 10 | 800 | 106MHBA01K## | 55 | 5.2 | 20 | 57.5x45x30 |
| 12.5 | 800 | 126MHBA01K## | 55 | 4.7 | 22 | 57.5x45x30 |

| Capacitance (μF) | WVDC | IC PART NUMBER | dv/dt (V/μs) | Maximum RMS Ripple Current (A) 100kHz,+70°C | Typical ESR m 100kHz, +25°C | L x H x T (mm) |
|---------------------|------|-------------------|-----------------|--|--------------------------------------|-------------------|
| 15 | 370 | 156MHBA04K## | 37.5 | 5 | 15 | 42.5x30x22 |
| 15 | 500 | 156MHBA03K## | 47.5 | 4.7 | 17.5 | 42.5x37x28 |
| 15 | 600 | 156MHBA02K## | 60 | 3.7 | 22 | 42.5x45x30 |
| 15 | 700 | 156MHBA06K## | 50 | 4.7 | 22 | 57.5x45x30 |
| 15 | 800 | 156MHBA01K## | 55 | 4.3 | 24 | 57.5x50x35 |
| 20 | 600 | 206MHBA02K## | 40 | 4 | 23 | 57.5x45x30 |
| 20 | 700 | 206MHBA06K## | 50 | 4 | 25 | 57.5x50x35 |
| 22 | 370 | 226MHBA04K## | 37.5 | 4 | 19 | 42.5x37x28 |
| 22 | 500 | 226MHBA03K## | 47.5 | 3.8 | 21.5 | 42.5x45x30 |
| 25 | 500 | 256MHBA03K## | 32.5 | 4.3 | 22 | 57.5x45x30 |
| 25 | 600 | 256MHBA02K## | 40 | 3.5 | 27 | 57.5x50x35 |
| 30 | 500 | 306MHBA03K## | 32.5 | 3.8 | 24 | 57.5x45x30 |
| 33 | 370 | 336MHBA04K## | 37.5 | 3.3 | 23 | 42.5x45x30 |
| 40 | 370 | 406MHBA04K## | 25 | 3.8 | 24 | 57.5x45x30 |
| 40 | 500 | 406MHBA03K## | 32.5 | 3.2 | 28 | 57.5x50x35 |
| 50 | 370 | 506MHBA04K## | 25 | 3.2 | 28 | 57.5x50x35 |
| 60 | 370 | 606MHBA04K## | 20 | 2.9 | 29 | 57.5x50x35 |

STYLE DRAWINGS



Dimensions in mm

| Fixing pitch and distance between lugs (mm) | | | |
|---|------|---------------|----|
| Lugs | L | P1 | P2 |
| S, V, F | 42.5 | 23√28 (M6) | 11 |
| | 57.5 | 37√42 (M6) | 24 |
| T, W, G | 42.5 | 20√25 (M6) | 8 |
| | 57.5 | 34√39 (M6) | 21 |
| N, P | 42.5 | Not available | |
| | 57.5 | 23√28 (M6) | 11 |
| A | 42.5 | 51√64 (M8) | - |
| | 57.5 | 65√78 (M8) | - |
| B | 42.5 | 32√45 (M6) | 17 |
| | 57.5 | Not available | |