

APPLICATION NOTES

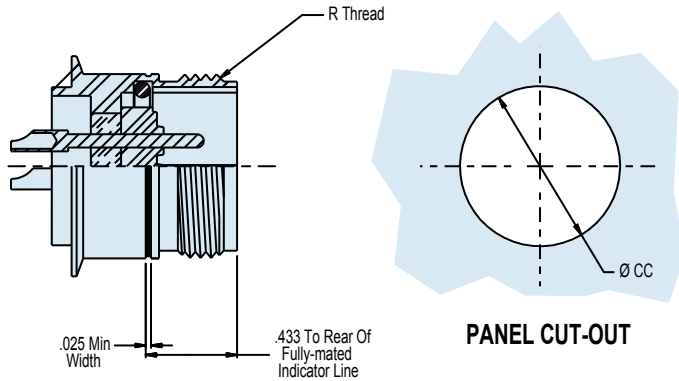
- To be identified with manufacturer's name, part number and date code, space permitting.
- Material/Finish:
Shell* and Jam-Nut:
Z1 - Stainless steel/passivated.
FT - Carbon steel/tin plated.
ZL - Stainless steel/nickel plated.
Contacts - 52 Nickel alloy/gold plated.
Bayonets - Stainless steel/passivated.
Seals - Silicone elastomer/N.A.
Insulation - Glass/N.A.
- Glenair 230-030 will mate with any QPL MIL-DTL-83723/86, /91, /95 and /97 Series III threaded coupling plug of same size, keyway, and insert polarization.
- Performance:
Hermeticity $<1 \times 10^{-7}$ cc He/sec @ 1 atmosphere differential.
Dielectric withstanding voltage - Consult factory or MIL-STD-1554.
Insulation resistance - 5000 MegOhms min @ 500VDC.
- Consult factory and/or MIL-STD-1554 for arrangement, keyway, and insert position options.
- Metric Dimensions (mm) are indicated in parentheses.

* Additional shell materials available, including titanium and Inconel®. Consult factory for ordering information.

230-030
MIL-DTL-83723/89 Series III Type Hermetic
Threaded Coupling Solder Flange Mount Receptacle
with Solder Cup Terminations



MIL-DTL
83723



HERMETIC LEAK RATE MOD CODES	
Designator	Required Leak Rate
-585A	1 x 10 ⁻¹⁰ cc's Helium per second
-585B	1 x 10 ⁻⁹ cc's Helium per second
-585C	1 x 10 ⁻⁸ cc's Helium per second

TABLE I: CONNECTOR AND CUT-OUT DIMENSIONS									
Shell Size	A Dia	C Dia	D Dia Shell I.D.	E Dia Resilient Insert	F Dia Max Seal	G Dia Max	K Dia Min	Ø CC Panel Cut-Out	R Coupling Thread
8	.723/.703 (18.4/17.9)	.500/.494 (12.7/12.5)	.418/.413 (10.6/10.5)	.290 (7.4)	.394 (10.0)	.562 (14.3)	.400 (10.2)	.515/.505 (13.1/12.8)	.562-24 UNEF-2A
10	.850/.830 (21.6/21.1)	.562/.556 (14.3/14.1)	.535/.530 (13.6/13.5)	.388 (9.9)	.515 (13.1)	.696 (17.7)	.411 (10.4)	.577/.567 (14.7/14.4)	.688-24 UNEF-2A
12	1.055/1.035 (26.8/26.3)	.750/.744 (19.1/18.9)	.705/.700 (17.9/17.8)	.558 (14.2)	.685 (17.4)	.875 (22.2)	.581 (14.8)	.765/.755 (19.3/19.2)	.875-20 UNEF-2A
14	1.100/1.080 (27.9/27.4)	.812/.806 (20.6/20.5)	.774/.769 (19.7/19.5)	.627 (15.9)	.754 (19.2)	.935 (23.7)	.650 (16.5)	.827/.817 (21.0/20.8)	.938-20 UNEF-2A
16	1.220/1.200 (31.0/30.5)	.937/.931 (23.8/23.6)	.901/.896 (22.9/22.8)	.772 (19.6)	.881 (22.4)	1.062 (27.0)	.765 (19.3)	.952/.942 (24.2/23.9)	1.062-18 UNEF-2A
18	1.350/1.330 (34.3/33.8)	1.062/1.056 (27.0/26.8)	1.007/1.002 (25.6/25.5)	.860 (21.8)	.987 (25.1)	1.187 (30.1)	.864 (21.9)	1.077/1.067 (27.4/27.1)	1.188-18 UNEF-2A
22	1.600/1.580 (40.6/40.1)	1.312/1.306 (36.5/33.2)	1.257/1.252 (31.9/31.8)	1.110 (28.2)	1.237 (31.4)	1.437 (36.5)	1.133 (28.8)	1.327/1.317 (33.7/33.5)	1.438-18 UNEF-2A

E