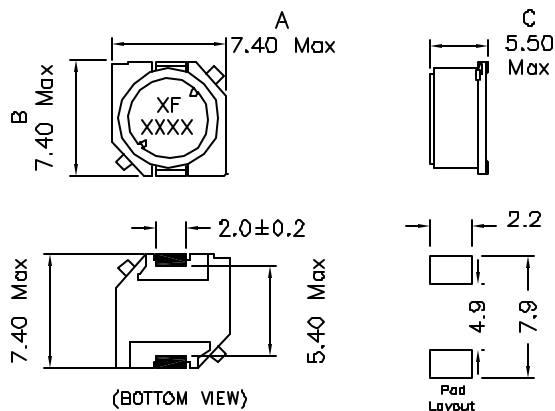


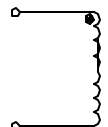
## XF7455 SERIES INDUCTORS

- \* LOW PROFILE SMD TYPE FOR HIGH CURRENT APPLICATION
- \* TAPE AND REEL PACKAGING FOR HIGH VOLUME MANUFACTURING  
850 PCS PER 13" REEL
- \* FOR PORTABLE TELEPHONES, PERSONAL COMPUTERS, HDD APPLICATIONS
- \* TEMP. RISE; 30°C TYPICAL ABOVE 60°C AMBIENT
- \* OPERATING TEMP.: -40°C TO +85°C
- \* FLAMABILITY RATING: UL94V-0

### Mechanical Dimensions:



### Schematic:



UNLESS OTHERWISE SPECIFIED  
TOLERANCES:  
.xx ±0.25  
Dimensions in MM

Part Number *	INDUCTANCE uH	Test Frequency (Hz)	Resistance DCR Ohms Max	Rated Current IDC Max (A)	Marking *
XF7455-1R0X	1.0	1K	0.023	2.88	1R0X
XF7455-1R5X	1.5	1K	0.027	2.61	1R5X
XF7455-2R2X	2.2	1K	0.030	2.46	2R2X
XF7455-3R3X	3.3	1K	0.035	2.28	3R3X
XF7455-4R7X	4.7	1K	0.041	2.08	4R7X
XF7435-6R8X	6.8	1K	0.047	1.94	6R8X
XF7455-100X	10	1K	0.050	1.68	100X
XF7455-120X	12	1K	0.070	1.54	120X
XF7455-150X	15	1K	0.080	1.39	150X
XF7455-180X	18	1K	0.090	1.26	180X
XF7455-220X	22	1K	0.110	1.13	220X
XF7455-270X	27	1K	0.150	1.02	270X
XF7455-330X	33	1K	0.170	0.84	330X
XF7455-390X	39	1K	0.180	0.80	390X
XF7455-470X	47	1K	0.200	0.76	470X
XF7455-560X	56	1K	0.280	0.64	560X
XF7455-680X	68	1K	0.320	0.60	680X
XF7455-820X	82	1K	0.350	0.57	820X
XF7455-101X	100	1K	0.400	0.50	101X
XF7455-121X	120	1K	0.440	0.47	121X
XF7455-151X	150	1K	0.730	0.40	151X
XF7455-181X	180	1K	0.780	0.39	181X
XF7455-221X	220	1K	0.940	0.33	221X
XF7455-271X	270	1K	1.250	0.31	271X
XF7455-331X	330	1K	1.400	0.27	331X
XF7455-391X	390	1K	1.520	0.27	391X
XF7455-471X	470	1K	1.700	0.25	471X
XF7455-561X	560	1K	2.390	0.22	561X

OCL TEST: 1.0KHz, 0.5V

\* "X" specify inductor tolerance: (K±10%, L±15%, M±20%, N±30%)