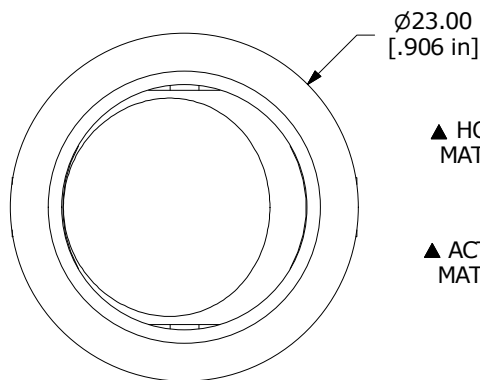
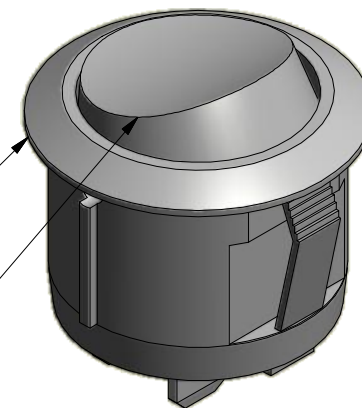


PANEL MOUNTING

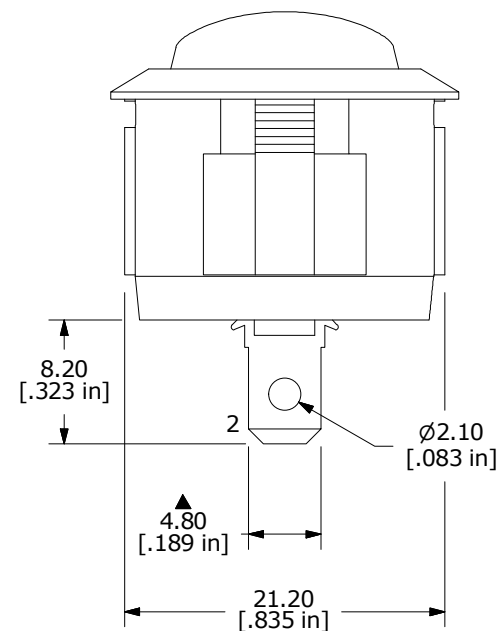
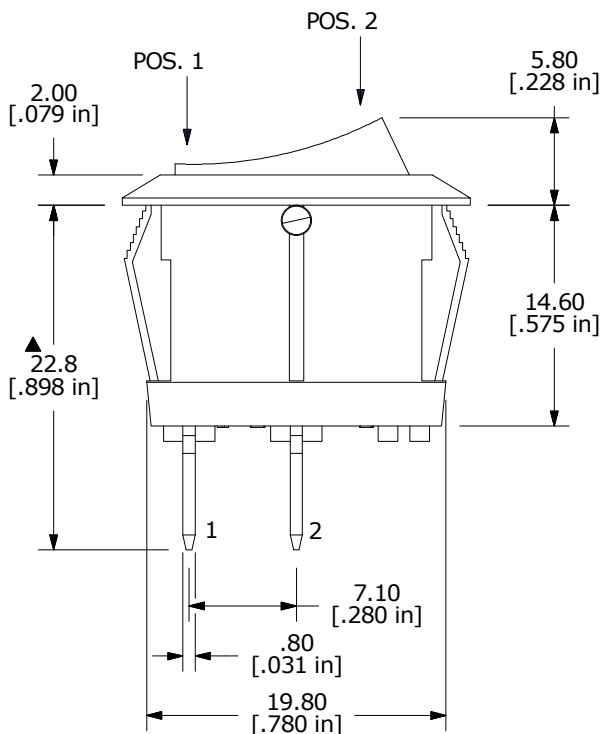
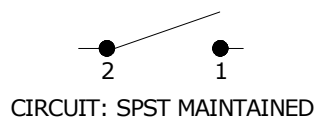


▲ HOUSING COLOR:
MATALIC GRAY (Z20)

▲ ACTUATOR COLOR:
MATALIC GRAY (Z20)



SWITCH FUNCTION	
POS. 1	POS. 2
OFF	ON
OPEN	1-2



NOTE:

1. DIMENSIONS IN MM [INCH]
2. GENERAL TOLERANCE: X.X = ± 0.4
X.XX = ± 0.25
3. TERMINAL NUMBERS FOR REF ONLY
4. CONTACT MATERIAL: SILVER
- ▲ 5. CONTACT RATING: 10A @ 125VAC (UL, cUL)
6A @ 250VAC (UL, cUL)
6A @ 250VAC, 1E4 T85 (VDE)
6. CONTACT RESISTANCE: 35mΩ MAX. @ 50VAC
7. INSULATION RESISTANCE: 1000MΩ MIN. @ 500VAC
8. DIELECTRIC STRENGTH: 1,500VAC FOR 1 MINUTE
9. ELECTRICAL LIFE: 6,000 CYCLES [UR, cUR, NOM]
10,000 CYCLES [ENEC14, SEMKO]
10. OPERATING TEMPERATURE: -20°C TO 105°C [UR, cUR, NOM]
-20°C TO 125°C [ENEC14, SEMKO]
11. ▲ DENOTES CRITICAL PARAMETER
12. 2002/95/EC (ROHS) COMPLIANT



TITLE RRG3813Z20Z2000

A	21847	Release For Production	5/8/15	MW
REV	PCR NO	DESCRIPTION	DATE	BY

SCALE	DATE	DR	DWG	REV
2:1	5/8/2015	MW	38-RRG3813Z20Z2000	A

THE INFORMATION CONTAINED IN THIS DOCUMENT IS PROPRIETARY TO E-SWITCH AND IS NOT TO BE COPIED OR TRANSFERRED