

RL-4400

COMMON MODE CHOKES

MINI U-CORE DESIGN

DESCRIPTION

- Mini U-Core Design

ENVIRONMENTAL DATA

- Storage temperature range: -55°C to +130°C
- Operating temperature range: -55°C to +130°C

PACKAGING INFORMATION

- Packaging information: pg. 494

FEATURES & APPLICATIONS

- Maximize performance in the smallest possible package
- High inductance and high current capabilities
- Three sizes available with inductance values ranging from 390 μ H to 200 mH
- Current rating ranging from 210 mA to 4 A
- Dielectric withstanding voltage rated at 2000 VAC line to line, 750 VAC wind to core
- Temperature rise: 50°C max

Verify operation with sample in actual circuit. Order samples at www.rencousa.com.

MECHANICAL DIMENSIONS

U.S. Standard (mm)

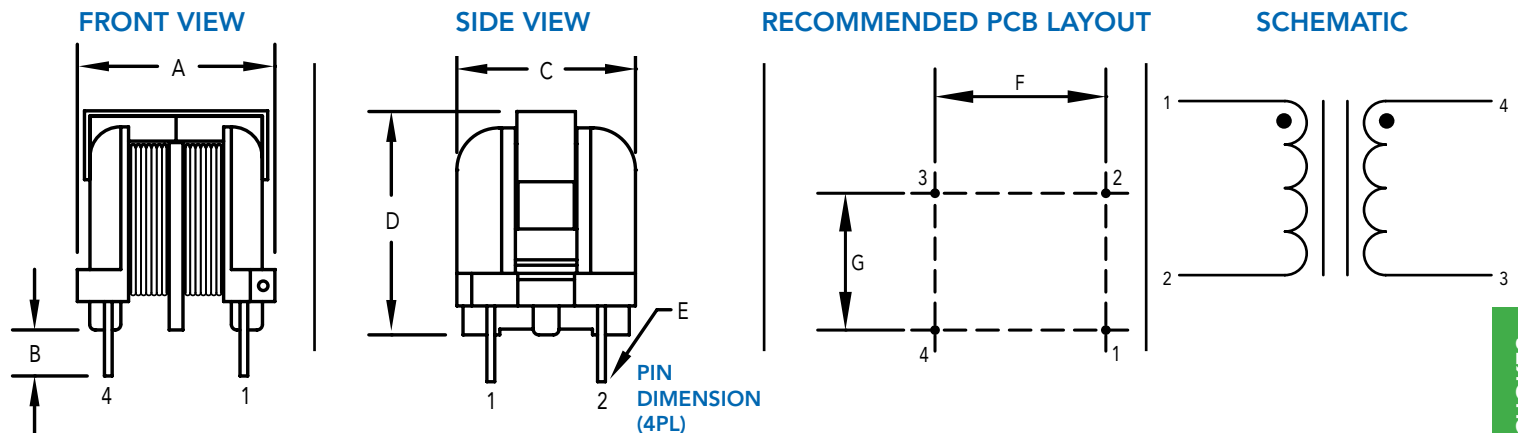
PART NUMBER	A (MAX.)	B (MIN.)	C (MAX.)	D (MAX.)	E (MAX.)
RL-4400-1	0.625 (15.90)	0.125 (3.20)	0.450 (11.50)	0.650 (16.50)	0.028 (0.70)
RL-4400-2	0.750 (19.10)	0.125 (3.20)	0.650 (16.50)	0.850 (21.60)	0.033 (0.80)
RL-4400-3	0.880 (22.40)	0.125 (3.20)	0.750 (19.10)	1.050 (26.70)	0.033 (0.80)

PART NUMBER PART WEIGHT

RL-4400-1	4.0g (0.14oz)
RL-4400-2	9.0g (0.32oz)
RL-4400-3	17.0g (0.60oz)

F ±0.04 (1.0) G ±0.015 (0.4)

0.315 (8.00)	0.276 (7.00)
0.492 (12.50)	0.394 (10.00)
0.492 (12.50)	0.394 (10.00)



RENCO ELECTRONICS INC.

595 International Place, Rockledge, FL 32955-4200 USA • www.rencousa.com • ISO 9001 Certified
Toll Free Engineering Hot Line: 800.645.5828 • P: 321.637.1000 • F: 321.637.1600



RL-4400-1, RL-4400-2, RL-4400-3

Renco Part No. RL-4400-1	Inductance (mH) -0+60%	DCR Max. (Ohms)	Irms (A)
RL-4400-1-0.39	0.39	0.08	1.60
RL-4400-1-0.68	0.68	0.13	1.20
RL-4400-1-0.90	0.90	0.19	1.00
RL-4400-1-1.40	1.40	0.30	0.80
RL-4400-1-2.10	2.10	0.48	0.65
RL-4400-1-3.30	3.30	0.74	0.50
RL-4400-1-4.90	4.90	1.20	0.40
RL-4400-1-7.40	7.40	1.80	0.35
RL-4400-1-11.50	11.50	2.80	0.27
RL-4400-1-18.70	18.70	4.45	0.22

Renco Part No. RL-4400-3	Inductance (mH) -0+60%	DCR Max. (Ohms)	Irms (A)
RL-4400-3-0.69	0.69	0.05	4.00
RL-4400-3-1.10	1.10	0.07	3.20
RL-4400-3-1.60	1.60	0.11	2.55
RL-4400-3-2.50	2.50	0.16	2.00
RL-4400-3-4.10	4.10	0.26	1.60
RL-4400-3-6.45	6.45	0.40	1.30
RL-4400-3-9.80	9.80	0.62	1.00
RL-4400-3-14.8	14.80	0.95	0.80
RL-4400-3-22.7	22.70	1.48	0.65
RL-4400-3-35.4	35.40	2.22	0.52
RL-4400-3-52.7	52.70	3.50	0.42
RL-4400-3-79.0	79.0	5.20	0.34
RL-4400-3-122	122.0	8.30	0.27
RL-4400-3-200	200.0	13.80	0.21

Renco Part No. RL-4400-2	Inductance (mH) -0+60%	DCR Max. (Ohms)	Irms (A)
RL-4400-2-0.90	0.90	0.08	2.60
RL-4400-2-1.80	1.80	0.13	2.00
RL-4400-2-2.50	2.50	0.19	1.60
RL-4400-2-4.00	4.00	0.30	1.30
RL-4400-2-6.20	6.20	0.46	1.00
RL-4400-2-10.8	10.80	0.76	0.80
RL-4400-2-16.3	16.30	1.17	0.65
RL-4400-2-26.0	26.00	1.80	0.50
RL-4400-2-38.3	38.30	2.73	0.42
RL-4400-2-57.6	57.60	4.44	0.34
RL-4400-2-90.0	90.0	6.72	0.27
RL-4400-2-147	147.0	10.80	0.21

NOTES:

1. ELECTRICAL SPECIFICATIONS MEASURED AT 25°C
2. I_{rms} - CURRENT THAT CAUSES THE TEMPERATURE TO RISE APPROX. 40°C ABOVE AMBIENT OF 25°C
3. INDUCTANCE TESTED AT 10 kHz, 0.1 V_{rms}

