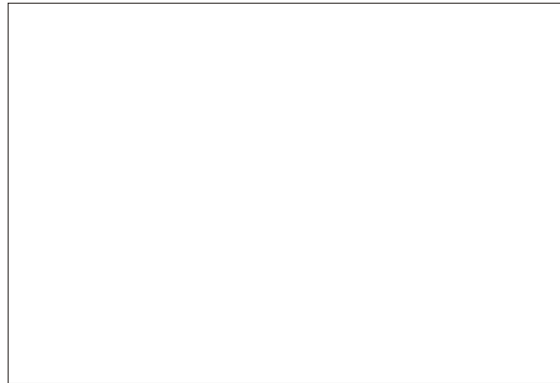


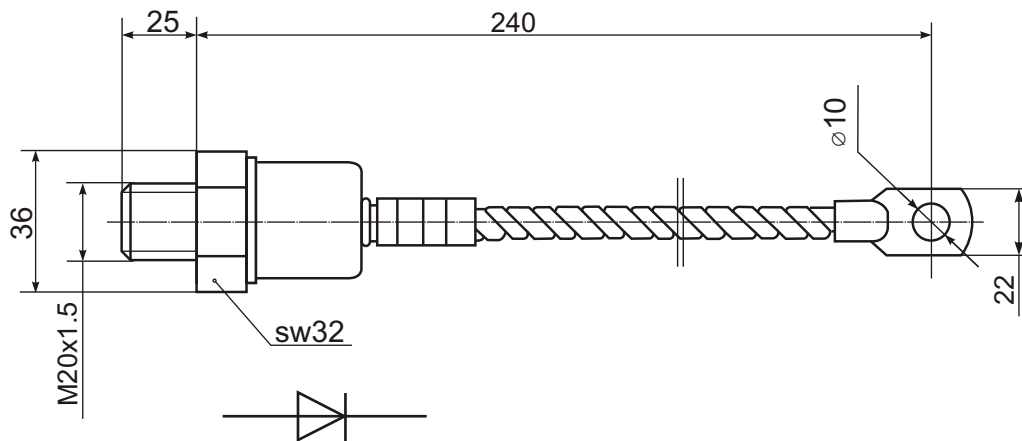
# SMD-300



## Rectifier Diode



Type	$V_{RRM}$	$I_{FAVM} (T_c, ^\circ C)$	$I_{FRMS}$	$I_{FSM}$	$i^2t$	$V_{FM}$	$I_{FM}$	$V_{FO}$	$r_F$	$T_{VJM}$	$R_{thJC}$
	V	A	A	A	kA <sup>2</sup> s	V	A	V	m $\Omega$	$^\circ C$	K/W
SMD-300	300-3600	300 (125)	470	7200	255	1.40	900	0.90	0.65	150	0.11



### Features:

- Hermetic metal case with ceramic insulator
- Capacity of supporting high surge current
- International standard case

### Typical Applications:

- AC/DC converters
- DC power supplies
- Machine tool controls