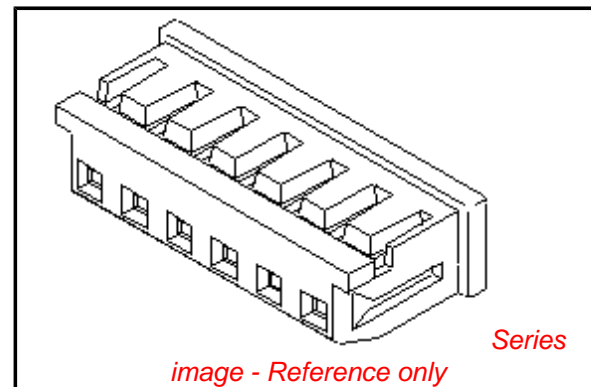


PLEASE CHECK WWW.MOLEX.COM FOR LATEST PART INFORMATION

Part Number: [0510651500](#)
Status: **Active**
Overview: [microlatch](#)
Description: 2.00mm (.079") Pitch Micro-Latch™ Wire-to-Board Housing, Friction Lock, 15 Circuits

Documents:

3D Model	Product Specification PS-51065-017 (PDF)
Drawing (PDF)	Product Specification PS-51065-018 (PDF)
Product Specification PS-51065-005 (PDF)	RoHS Certificate of Compliance (PDF)
Product Specification PS-51065-016 (PDF)	



Agency Certification

CSA	LR19980
UL	E29179

General

Product Family	Crimp Housings
Series	51065
Overview	microlatch
Product Name	Micro-Latch™

Physical

Circuits (maximum)	15
Color - Resin	Natural
Flammability	94V-0
Gender	Female
Glow-Wire Compliant	No
Material - Resin	Polyester
Number of Rows	1
Packaging Type	Bag
Panel Mount	No
Pitch - Mating Interface (in)	0.079 In
Pitch - Mating Interface (mm)	2.00 mm
Stackable	No
Temperature Range - Operating	-40°C to +105°C

Material Info

Reference - Drawing Numbers

Packaging Specification	SPK-51065-001
Product Specification	PS-51065-005, PS-51065-016, PS-51065-017, PS-51065-018, RPS-51065-001, RPS-51065-002, RPS-51065-006, RPS-51065-007, RPS-51065-010, RPS-51065-011, RPS-51065-012, RPS-51065-013, RPS-51065-015, RPS-51065-020, RPS-51065-021, RPS-51065-022, RPS-51065-023, RPS-51065-024, RPS-51065-025, RPS-51065-026, RPS-51065-027, RPS-51065-028, RPS-51065-029, RPS-51065-030
Sales Drawing	SD-51065-004, SD-51065-005, SD-51065-006

EU RoHS

**ELV and RoHS
Compliant**
**REACH SVHC
Contains SVHC: No**
**Halogen-Free
Status**

China RoHS



**Need more information on product
environmental compliance?**

Email productcompliance@molex.com
 For a multiple part number RoHS Certificate of
 Compliance, [click here](#)

Please visit the [Contact Us](#) section for any
 non-product compliance questions.

Search Parts in this Series

[51065Series](#)

Mates With

[53253 PCB Header](#), [53254 PCB Header](#)

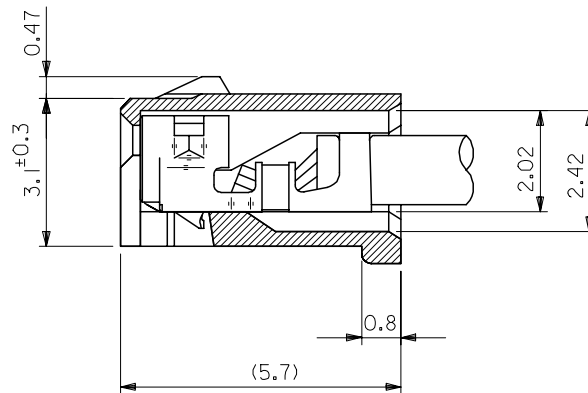
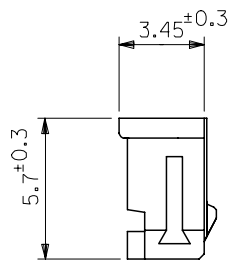
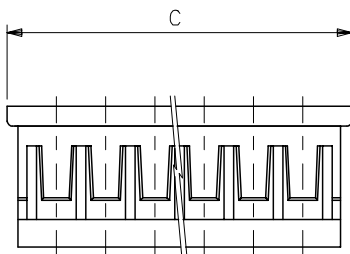
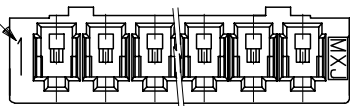
Use With

[50212 Crimp Terminal](#)

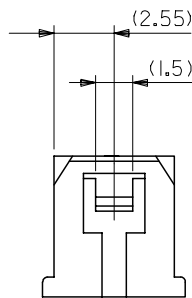
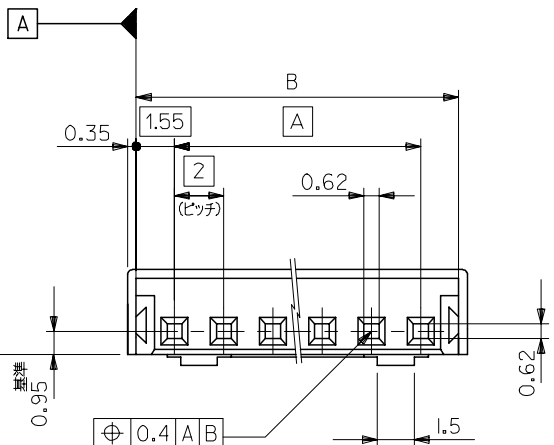
10 9 8 7 6 5 4 3 2 1

回路番号

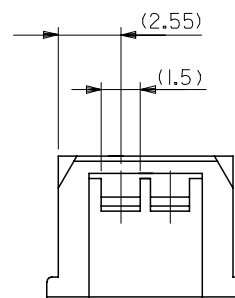
トレードマーク



ターミナル装着状態図
(10:1)



2極の場合



3極の場合

31.8	31.1	28	51065-150*	15
29.8	29.1	26	-140*	14
27.8	27.1	24	-130*	13
25.8	25.1	22	-120*	12
23.8	23.1	20	-110*	11
21.8	21.1	18	-100*	10
19.8	19.1	16	-090*	9
17.8	17.1	14	-080*	8
15.8	15.1	12	-070*	7
13.8	13.1	10	-060*	6
11.8	11.1	8	-050*	5
9.8	9.1	6	-040*	4
7.8	7.1	4	-030*	3
5.8	5.1	2	51065-020*	2
C	B	A	MATERIAL NO.	極数

注記

1. 適合ターミナル: 50212-8*00
2. 嵌合相手: 53253-***10, 53254-***10
3. 材質: PBT. UL94V-0
4. MATERIAL NO. の説明

51065-***0*

- ↑ 極数
- ↑ 製品の色
- 1: 黒 (BLACK)
 - 5: 灰 (GRAY)
 - 6: 緑 (GREEN)
 - 7: 茶 (BROWN)

REVISED EC NO: J2006-1395 DRWN: NABE CHKD: TOYODA APPR: NUKITA	DESCRIPTION 2005/10/31 2005/11/01 2005/11/02	GENERAL TOLERANCES (UNLESS SPECIFIED)		DIMENSION STYLE MM ONLY		SCALE 5:1	DESIGN UNITS METRIC	THIRD ANGLE PROJECTION	
		10 UNDER	±0.2	DRAWN BY S. AIHARA	DATE '89/09/21	TITLE NEW 2.0 WIRE TO BOARD CONN RECEPTACLE HOUSING			
		10 OVER 30 UNDER	±0.25	CHECKED BY M. FUKUSHIMA	DATE '90/01/18	MATERIAL NO. SEE CHART			
		30 OVER	±0.3	APPROVED BY M. ENOMOTO	DATE '90/01/18	DOCUMENT NO. SD-51065-004			
DRAFT WHERE APPLICABLE MUST REMAIN WITHIN DIMENSIONS		SIZE A3		THIS DRAWING CONTAINS INFORMATION THAT IS PROPRIETARY TO MOLEX INCORPORATED AND SHOULD NOT BE USED WITHOUT WRITTEN PERMISSION		SHEET NO. 1 OF 2			

10 9 8 7 6 5 4 3 2 1

F

F

E

E

D

D

C

C

B

B

A

A

31.8	31.1	28	51065-1507	51065-1506	51065-1505	51065-1501	51065-1500	15
29.8	29.1	26	51065-1407	51065-1406	51065-1405	51065-1401	51065-1400	14
27.8	27.1	24	51065-1307		51065-1305	51065-1301	51065-1300	13
25.8	25.1	22	51065-1207	51065-1206	51065-1205	51065-1201	51065-1200	12
23.8	23.1	20	51065-1107		51065-1105	51065-1101	51065-1100	11
21.8	21.1	18	51065-1007	51065-1006	51065-1005	51065-1001	51065-1000	10
19.8	19.1	16	51065-0907	51065-0906	51065-0905	51065-0901	51065-0900	9
17.8	17.1	14	51065-0807	51065-0806	51065-0805	51065-0801	51065-0800	8
15.8	15.1	12	51065-0707		51065-0705	51065-0701	51065-0700	7
13.8	13.1	10	51065-0607		51065-0605	51065-0601	51065-0600	6
11.8	11.1	8	51065-0507		51065-0505	51065-0501	51065-0500	5
9.8	9.1	6	51065-0407		51065-0405	51065-0401	51065-0400	4
7.8	7.1	4	51065-0307		51065-0305		51065-0300	3
5.8	5.1	2	51065-0207		51065-0205		51065-0200	2
C	B	A	BROWN	GREEN	GRAY	BLACK	NATURAL	極数

REVISED EC NO: J2006-1395 DRWN: NABE 2005/10/31 CHKDK: TOYODA 2005/11/01 APPR: NUKITA 2005/11/02	GENERAL TOLERANCES (UNLESS SPECIFIED)		DIMENSION STYLE MM ONLY		SCALE 5:1	DESIGN UNITS METRIC	THIRD ANGLE PROJECTION		
	10 UNDER	± 0.2	DRAWN BY S. AIHARA		DATE '89/09/21		TITLE NEW 2.0 WIRE TO BOARD CONN RECEPTACLE HOUSING		
	10 OVER 30 UNDER	± 0.25	CHECKED BY M. FUKUSHIMA		DATE '90/01/18				
	30 OVER	± 0.3	APPROVED BY M. ENOMOTO		DATE '90/01/18		MOLEX INCORPORATED		
	ANGULAR	± 3 °	MATERIAL NO. SEE CHART		DOCUMENT NO. SD-51065-004		SHEET NO. 2 OF 2		
DRAFT WHERE APPLICABLE MUST REMAIN WITHIN DIMENSIONS		SIZE A3		THIS DRAWING CONTAINS INFORMATION THAT IS PROPRIETARY TO MOLEX INCORPORATED AND SHOULD NOT BE USED WITHOUT WRITTEN PERMISSION					

9

8

7

6

5

4

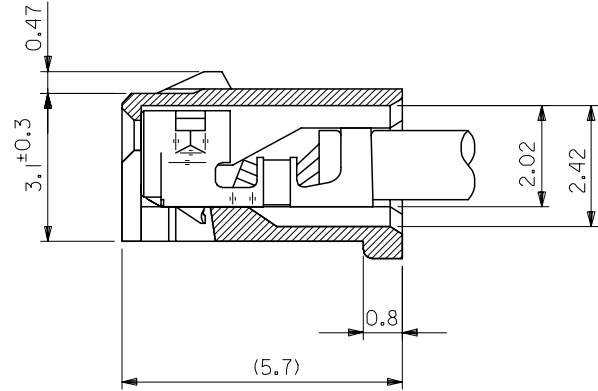
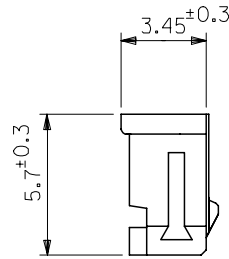
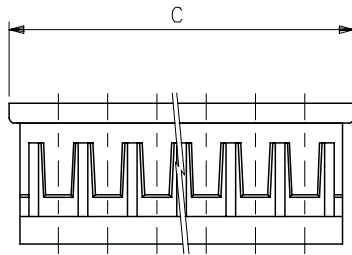
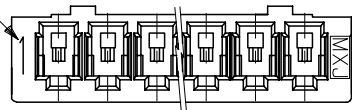
3

2

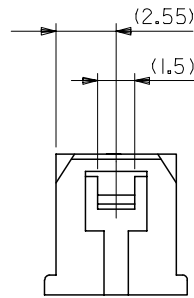
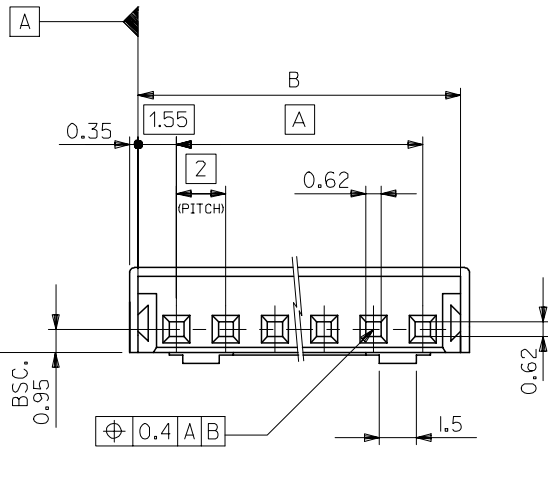
10 9 8 7 6 5 4 3 2 1

CIRCUIT NO.

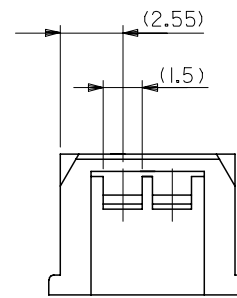
TRADE MARK



TERMINAL ASSEMBLY DRAWING
(10:1)



IN CASE OF
2 CIRCUIT HSG.



IN CASE OF
3 CIRCUIT HSG.

31.8	31.1	28	51065-150*	15
29.8	29.1	26	-140*	14
27.8	27.1	24	-130*	13
25.8	25.1	22	-120*	12
23.8	23.1	20	-110*	11
21.8	21.1	18	-100*	10
19.8	19.1	16	-090*	9
17.8	17.1	14	-080*	8
15.8	15.1	12	-070*	7
13.8	13.1	10	-060*	6
11.8	11.1	8	-050*	5
9.8	9.1	6	-040*	4
7.8	7.1	4	-030*	3
5.8	5.1	2	51065-020*	2
C	B	A	MATERIAL NO.	極数

NOTES

1. APPLICABLE TERMINAL 50212-8*00
2. MATES WITH : 53253-**10, 53254-**10
3. MATERIAL : PBT , UL94V-0
4. MATERIAL NO.

51065-**0*

CIRCUIT COLOR
1: BLACK
5: GRAY
6: GREEN
7: BROWN

REVISED EC NO: J2006-1395 DRW: NABEI 2005/10/31 CHK: KYOYODA 2005/11/01 APP: NUKITA 2005/11/02	GENERAL TOLERANCES (UNLESS SPECIFIED)		DIMENSION STYLE MM ONLY		SCALE 5:1	DESIGN UNITS METRIC	THIRD ANGLE PROJECTION	
	10 UNDER	±0.2	DRAWN BY S. AIHARA	DATE '89/09/21	TITLE NEW 2.0 WIRE TO BOARD CONN RECEPTACLE HOUSING			
	10 OVER 30 UNDER	±0.25	CHECKED BY M. FUKUSHIMA	DATE '90/01/18	MOLEX INCORPORATED			
	30 OVER	±0.3	APPROVED BY M. ENOMOTO	DATE '90/01/18	DOCUMENT NO. SD-51065-005			
	ANGULAR ±3 °	DRAFT WHERE APPLICABLE MUST REMAIN WITHIN DIMENSIONS		MATERIAL NO. SEE CHART		SHEET NO. 1 OF 2		
		THIS DRAWING CONTAINS INFORMATION THAT IS PROPRIETARY TO MOLEX INCORPORATED AND SHOULD NOT BE USED WITHOUT WRITTEN PERMISSION						

10 9 8 7 6 5 4 3 2 1

F

F

E

E

D

D

C

C

B

B

A

A

31.8	31.1	28	51065-1507	51065-1506	51065-1505	51065-1501	51065-1500	15
29.8	29.1	26	51065-1407	51065-1406	51065-1405	51065-1401	51065-1400	14
27.8	27.1	24	51065-1307		51065-1305	51065-1301	51065-1300	13
25.8	25.1	22	51065-1207	51065-1206	51065-1205	51065-1201	51065-1200	12
23.8	23.1	20	51065-1107		51065-1105	51065-1101	51065-1100	11
21.8	21.1	18	51065-1007	51065-1006	51065-1005	51065-1001	51065-1000	10
19.8	19.1	16	51065-0907	51065-0906	51065-0905	51065-0901	51065-0900	9
17.8	17.1	14	51065-0807	51065-0806	51065-0805	51065-0801	51065-0800	8
15.8	15.1	12	51065-0707		51065-0705	51065-0701	51065-0700	7
13.8	13.1	10	51065-0607		51065-0605	51065-0601	51065-0600	6
11.8	11.1	8	51065-0507		51065-0505	51065-0501	51065-0500	5
9.8	9.1	6	51065-0407		51065-0405	51065-0401	51065-0400	4
7.8	7.1	4	51065-0307		51065-0305		51065-0300	3
5.8	5.1	2	51065-0207		51065-0205		51065-0200	2
C	B	A	BROWN	GREEN	GRAY	BLACK	NATURAL	極数

REVISED EC NO: J2006-1395 DRWN: NABE 2005/10/31 CHKDK: TOYODA 2005/11/01 APPR: NUKITA 2005/11/02	GENERAL TOLERANCES (UNLESS SPECIFIED)		DIMENSION STYLE MM ONLY		SCALE 5:1	DESIGN UNITS METRIC	THIRD ANGLE PROJECTION		
	10 UNDER	± 0.2	DRAWN BY S. AIHARA		DATE '89/09/21		TITLE NEW 2.0 WIRE TO BOARD CONN RECEPTACLE HOUSING		
	10 OVER 30 UNDER	± 0.25	CHECKED BY M. FUKUSHIMA		DATE '90/01/18				
	30 OVER	± 0.3	APPROVED BY M. ENOMOTO		DATE '90/01/18		MOLEX INCORPORATED		
	ANGULAR	± 3 °	MATERIAL NO. SEE CHART		DOCUMENT NO. SD-51065-005		SHEET NO. 2 OF 2		
DRAFT WHERE APPLICABLE MUST REMAIN WITHIN DIMENSIONS		SIZE A3		THIS DRAWING CONTAINS INFORMATION THAT IS PROPRIETARY TO MOLEX INCORPORATED AND SHOULD NOT BE USED WITHOUT WRITTEN PERMISSION					

9

8

7

6

5

4

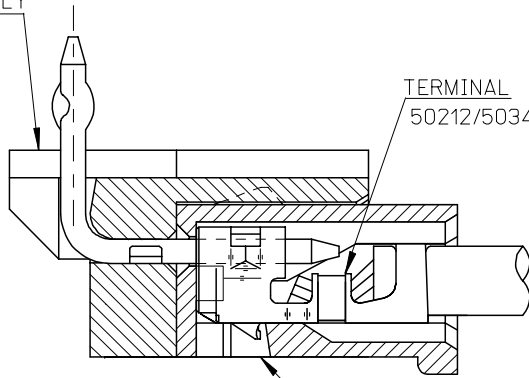
3

2

10 9 8 7 6 5 4 3 2 1

F

HEADER HOUSING ASSEMBLY
53254 SERIES



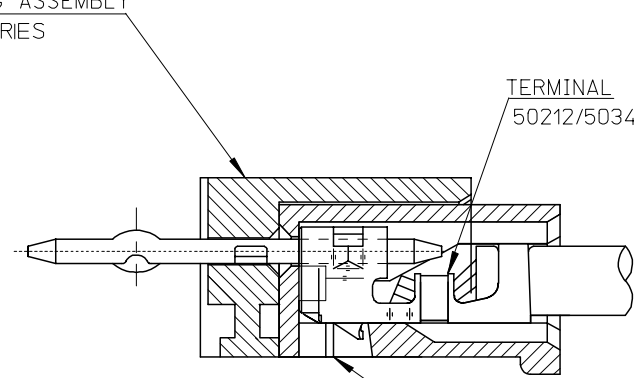
TERMINAL
50212/50346 SERIES

RECEPTACLE HOUSING
51065 SERIES

51065シリーズ/53254シリーズ 嵌合状態図 参考
51065 SERIES/53254 SERIES MATED DRAWING (REF.)

F

HEADER HOUSING ASSEMBLY
53253 SERIES



TERMINAL
50212/50346 SERIES

RECEPTACLE HOUSING
51065 SERIES

51065シリーズ/53253シリーズ 嵌合状態図 参考
51065 SERIES/53253 SERIES MATED DRAWING (REF.)

E

E

D

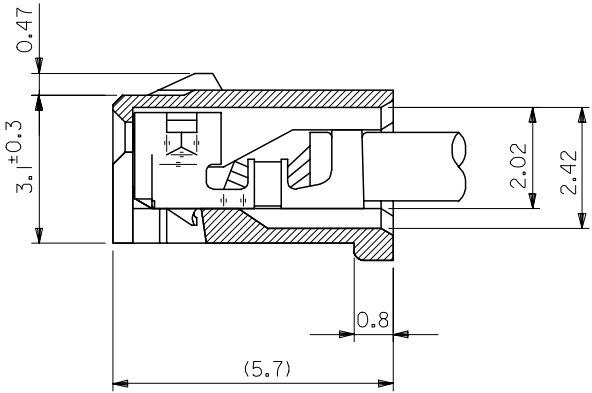
D

C

C

B

B



ターミナル装着状態図
TERMINAL ASS'Y DWG.

RELEASED EC NO: J2008-2041 DRWN: AOYAGI 2007/11/21 CHKD: THARUYAMA 2007/11/22 APPR: NUKITA 2007/11/22	GENERAL TOLERANCES (UNLESS SPECIFIED)		DIMENSION STYLE MM ONLY	SCALE 10:1	DESIGN UNITS METRIC	THIRD ANGLE PROJECTION
	10 UNDER	±0.2	DRAWN BY Y. AOYAGI	DATE 2007/11/13	TITLE NEW 2.0 W/B CONN. 51065/53253OR51065/53254	
	10 OVER 30 UNDER	±0.25	CHECKED BY N. UKITA	DATE 2007/11/13	MOLEX INCORPORATED DOCUMENT NO. SD-51065-006 SHEET NO. 1 OF 1	
	30 OVER	±0.3	APPROVED BY N. UKITA	DATE 2007/11/13		
	ANGULAR	±1 °	MATERIAL NO.		SEE TABLE	
DRAFT WHERE APPLICABLE MUST REMAIN WITHIN DIMENSIONS		SIZE A3	THIS DRAWING CONTAINS INFORMATION THAT IS PROPRIETARY TO MOLEX INCORPORATED AND SHOULD NOT BE USED WITHOUT WRITTEN PERMISSION			

9

8

7

6

5

4

3

2