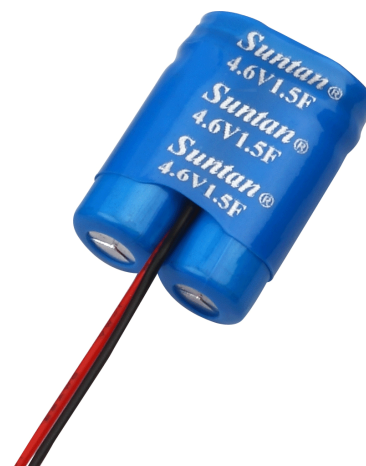


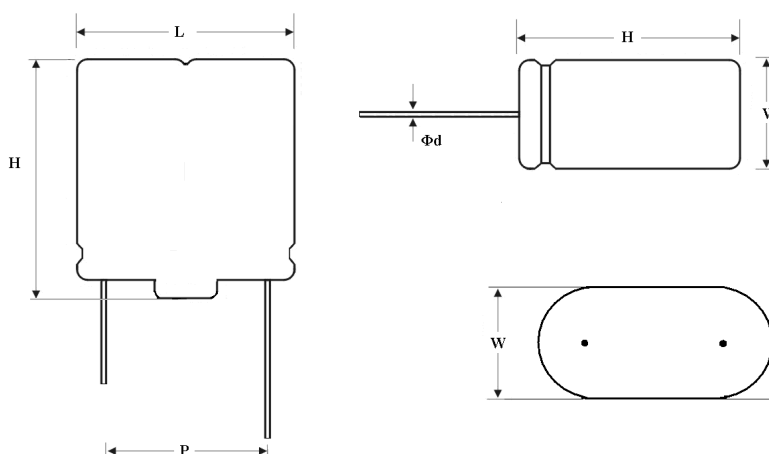
TS12S-V



FEATURES

- ◆ Serial structure, two cell with same Characteristics
- ◆ Ideal for backing up of CMOS's , microcomputers, RAM's and the like used in VCR's, tuners, TV sets, telephone set and other.
- ◆ Low ESR , high energy density.

SPECIFICATIONS	
Operating temperature	-25 to +70°C
Rated voltage	5.0VDC, 5.5VDC
Surge voltage	6.3VDC
Capacitance tolerance	-20% to +80%
Temperature Characteristics	+70°C $\Delta C/C$ $\leq 30\%$, ESR $\leq 100\%$ of specified value at 25°C -40°C $\Delta C/C$ $\leq 50\%$, ESR $\leq 400\%$ of specified value at 25°C
High Temperature load	After 1000 hours +70°C ± 2 , nominal voltage $\Delta C/C$ $\leq 30\%$ of the initial measured value, ESR $\leq 400\%$ of the initial specified value
High Temperature without load	After 1000 hours +70°C ± 2 , nominal voltage $\Delta C/C$ $\leq 30\%$ of the initial measured value, ESR $\leq 200\%$ of the initial specified value
Humidity Resistance	After +40°C ± 2 , 90~95%RH , 240 hour $\Delta C/C$ $\leq 30\%$ of the initial measured value, IL $\leq 200\%$ of the initial specified value, ESR ≤ 4 time of the initial specified value



Part Number	Rated Capacitance	Operating Voltage	ESR 1KHz (MΩ)	Size (HxLxW±1mm)	P±1.0 (mm)	Ø d ±0.05mm
TS12S-V-5R0-334	0.33F	5.0V	1200	15x16x8	11.5	0.6
TS12S-V-5R0-474	0.47F	5.0V	1200	15x16x8	11.5	0.6
TS12S-V-5R5-105	1.0F	5.5V	500	22x21x11	14.5	0.6
TS12S-V-5R5-205	2.0F	5.5V	220	26x24x13	18	0.6
TS12S-V-5R5-405	4.0F	5.5V	200	26x24x13	18	0.6

Note: Specification are subject to change without notice. For more detail and update, please visit our website.